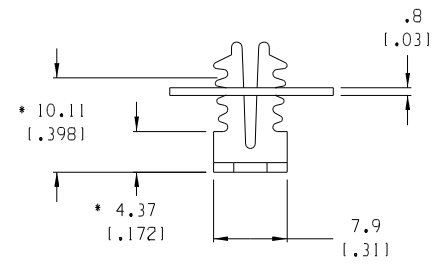
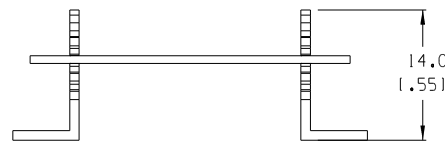
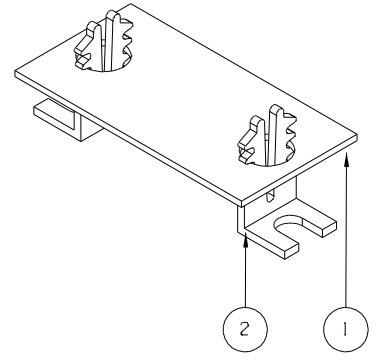
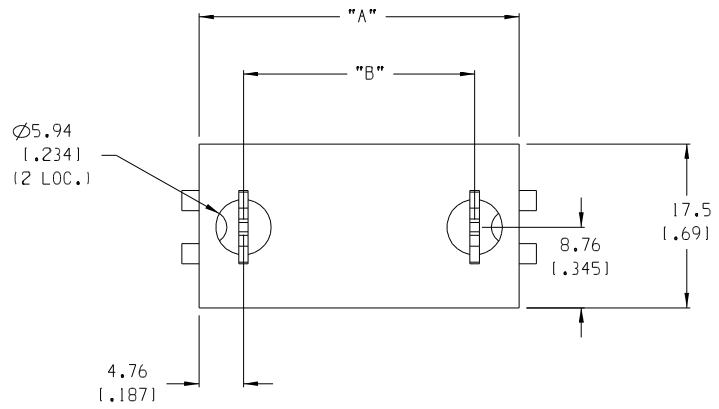


NO. OF CIRC.	DIM. "A"	DIM. "B"	KIT MATERIAL NO.
02	34.0 [1.34]	24.4 [1.96]	387336402
03	45.2 [1.78]	35.6 [1.40]	387336403
04	56.4 [2.22]	46.7 [1.84]	387336404
05	67.6 [2.66]	58.0 [2.28]	387336405
06	78.5 [3.09]	69.0 [2.71]	387336406
07	89.7 [3.53]	80.0 [3.15]	387336407
08	100.8 [3.97]	91.2 [3.59]	387336408
09	112.0 [4.41]	102.4 [4.03]	387336409



- NOTES:
1. MATERIAL: SEE TABLE
 2. FINISHES: SEE TABLE
 3. PRODUCT SPECIFICATION: NOT REQUIRED
 4. PACKAGING: AS REQUIRED
 5. MATES WITH: 13, 25, AND 7400 SERIES BTS

ITEM	QTY.	DESCRIPTION	MATERIAL	FINISH
2	2	LATCH CLIPS	ACETAL	NATURAL
1	1	SINGLE ROW FLAT COVER	VULCANIZED FIBER	BLACK

EC NO. RELEASED
 DRAWN: JF 11-30-04
 CH'K: APPR:
 REV: A

QUALITY SYMBOLS
 MAJOR
 CRITICAL
 SPC

GENERAL TOLERANCES: (UNLESS SPECIFIED)

	mm	INCH
4 PLACES	±.0015	
3 PLACES	±.038	±.005
2 PLACES	±.13	±.01
1 PLACE	±.3	

ANGULAR: ±2°

DRAFT WHERE APPLICABLE MUST REMAIN WITHIN DIMENSIONS

SCALE: 2:1
 DESIGN UNITS: mm INCH
 THIRD ANGLE PROJECTION
 DRAWN BY & DATE: J.FARMER 11-30-04
 CHECKED BY & DATE:
 APPROVED BY & DATE:

PROJECT NO.: - -
 DIMENSIONS: mm INCH mm ONLY INCH ONLY
 SHT: REV: REVISE ON CAD ONLY
 TITLE: COVER SR BTS KIT
 MOLEX INCORPORATED
 CAD FILENAME: CAO2XX
 MATERIAL NO.: SEE CHART
 DRAWING NO.: SD-38733-6402
 SHEET NO.: 1 OF 1
 THIS DRAWING CONTAINS INFORMATION THAT IS PROPRIETARY TO MOLEX INCORPORATED AND SHOULD NOT BE USED WITHOUT WRITTEN PERMISSION.
 SIZE: B