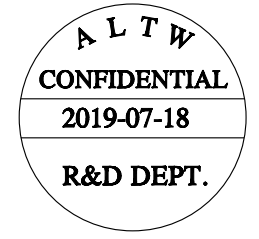
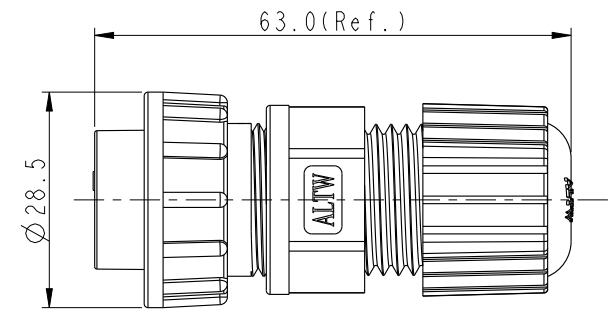
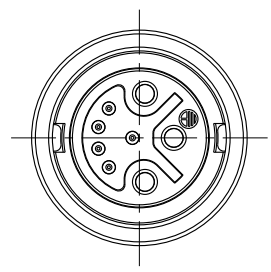
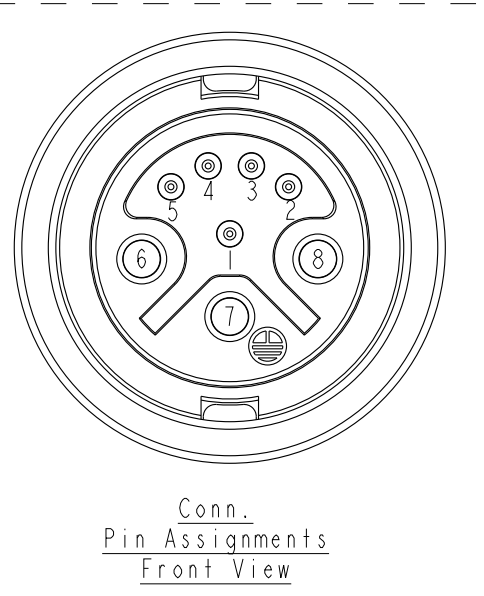
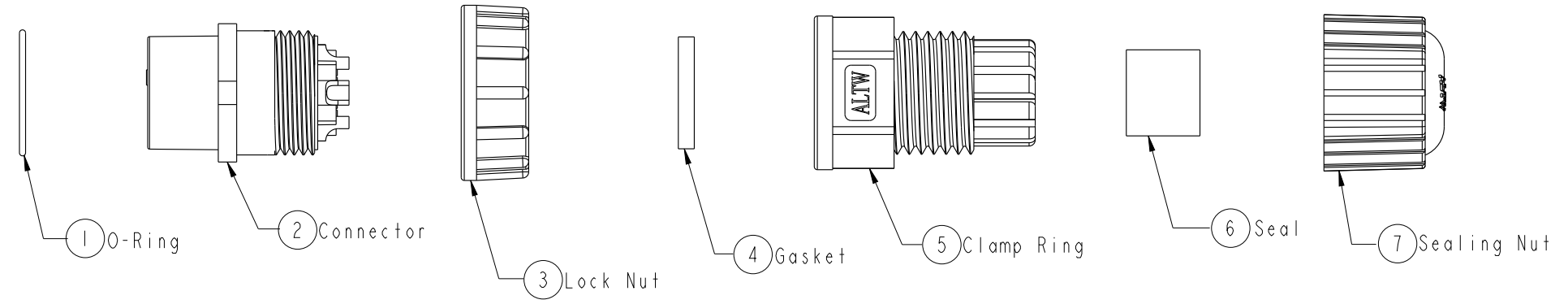


THIS DOCUMENT IS SUBJECT TO CHANGE WITHOUT NOTICE. IT IS CONFIDENTIAL AND A PROPERTY OF Amphenol LTW. DISCLOSURE TO THIRD PARTY HAS TO BE AUTHORIZED BY Amphenol LTW.

REV.	ECN NO.	DATE	SIGN	DESCRIPTION
B	LENI350057	2013/04/24	Ruru	Modify Cable OD Max
C	LENI670218	2016/07/18	Joyy	Modify The Color Of The Gasket
D	CI91279	2019/07/18	JC Chen	Modify The Gasket Color



- Note:
- * QC Important Dimension To Check
 - * Waterproof Rate: IP67
 - * O-Ring: Silicone, Gray
 - * Connector: Nylon+GF, Black
 - * Pin: Copper Alloy, Gold Plated
 - * Lock Nut: Nylon+GF, Black
 - * C Gasket: Silicone, Black
 - * D Clamp Ring: Nylon, Black
 - * A Seal: Silicone, Gray
 - * B Sealing Nut: Nylon, Black
 - * Cable OD Max: $\varnothing 9.5 \sim 10.8 \text{mm}$

UNIT:mm		
TOLERANCE		
.X	±0.25	
.XX	±0.1	
.XXX	±0.05	
ANGLES	±1°	

TITLE Large Assy Connector FConn 3FPin(20A)+5MPin(2A)			
SCALE 1:1	SIZE A4	SHEET 1 OF 1	
REV. D	WC-REV. B.3	QC : Inspection item	

Amphenol LTW
安費諾亮泰企業股份有限公司

ITEM NO DCU-08BFDA-LL7001	DRAWN BY JC Chen	DATE 2019-07-18
DWG NO DCU-08BFDA-LL7001	CHECKED BY Li Feng	DATE 2019-07-18
CUSTOMER ALTW	APPROVED BY Jerry	DATE 2019-07-18