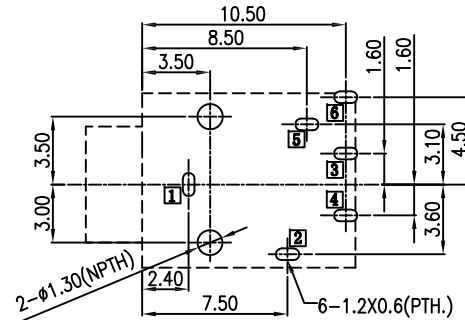
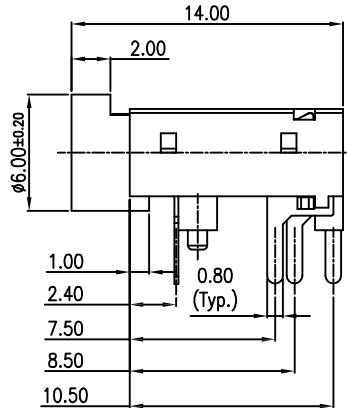
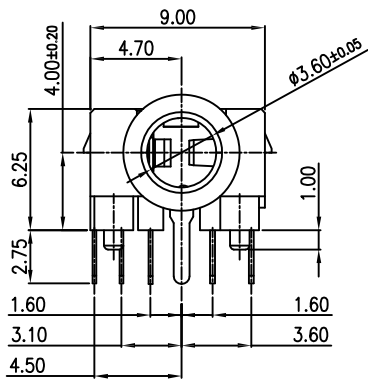
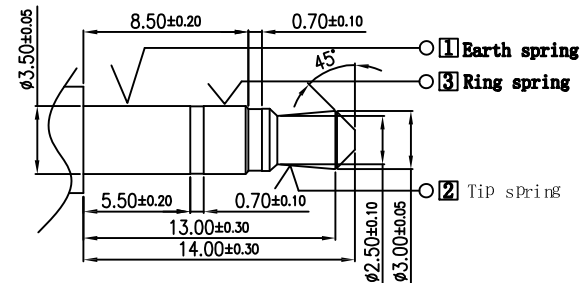
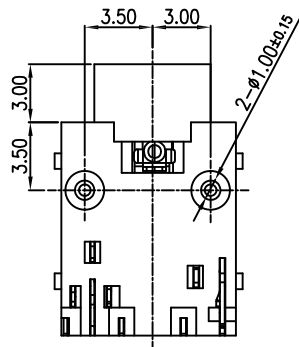


APPROVED: _____
 DATE: _____ TITLE: _____

| | | | | |
|-----|-------|-------------|----------|------|
| Rev | AWO # | Description | Date | Appr |
| - | | RELEASED | 11/16/18 | |



RECOMMENDED PCB LAYOUT



MATE PLUG

| Model No. | ASJ-195-V-HT | ASJ-195-L-HT | ASJ-195-B-HT | ASJ-195-C-HT | ASJ-195-D-HT |
|----------------|--------------|--------------|--------------|--------------|--------------|
| Schematic code | | | | | |

SPECIFICATIONS:

Material:
 Housing: Hi-Temp Thermoplastic, rated UL94V-0, Color: Black
 Contacts: Copper Alloy
 Plating:
 Silver over Copper underplate overall
 Electrical:
 Rating: 30VDC, 0.5A
 Contact Resistance: 30 mohm max.
 Insulation Resistance: 100 Mohm min. @ 500 VDC
 Dielectric withstanding voltage: 500 VAC
 Temperature Rating:
 Operating temperature: -20°C to +70°C
 Environmental:
 Lead free, RoHS compliant.



| | | |
|---|----------|----------|
| UNLESS OTHERWISE SPECIFIED ALL DIMENSIONS ARE MILLIMETERS TOLERANCES: EXCEPT AS NOTED | | |
| MM | ANGLE | |
| .X ± 0.50 | X ± 5° | |
| .XX ± 0.30 | .X ± 3° | |
| .XXX ± 0.15 | .XX ± 2° | |
| APPROVALS | | DATE |
| DRAWN | HR | 11/16/18 |
| CHECKED | AC1 | 11/16/18 |
| APPROVED | | |

ADAM TECH
 INTERCONNECTS
 909 Rahway Avenue,
 Union, NJ 07083
 Phone: 908-687-5000
 Fax: 908-687-5710

| | | |
|---|--------------------------|--------------|
| TITLE 3.5MM STEREO PHONE JACK, RIGHT ANGLE | | |
| SIZE X | PART NO. ASJ-195-X-HT | REV. - |
| REF: S00002C | SCALE: NTS | SHEET 1 OF 1 |