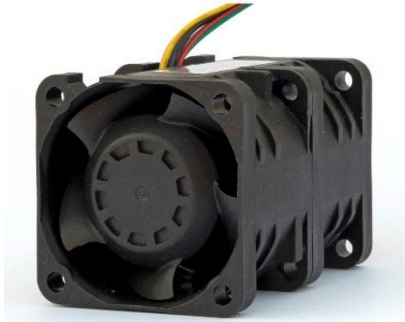


**40mm by 40mm by 56mm, 12VDC AXIAL FAN, 8 wire PWM, 3<sup>rd</sup> wire tachometer****Summary –**

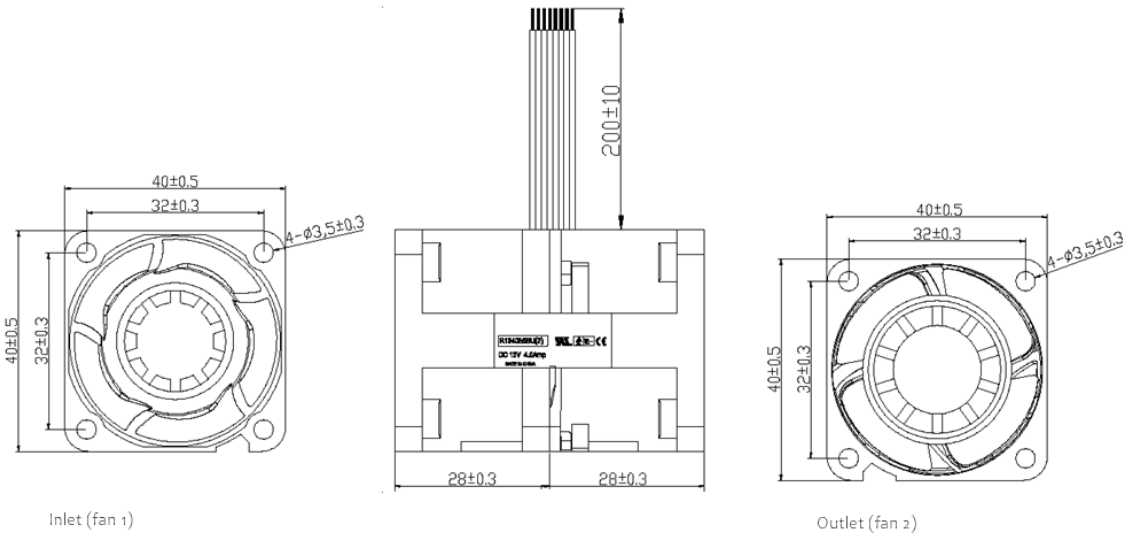
High pressure compact dual-axial fan with 3<sup>rd</sup> wires tachometer output signals for each stage. 70K hours continuous life at 40 degrees C ambient, IP54, rotor board coating (Humiseal<sup>®</sup> 1A27)

Other 3<sup>rd</sup> and 4<sup>th</sup> wire options available ('high on pass' / 'low on pass').

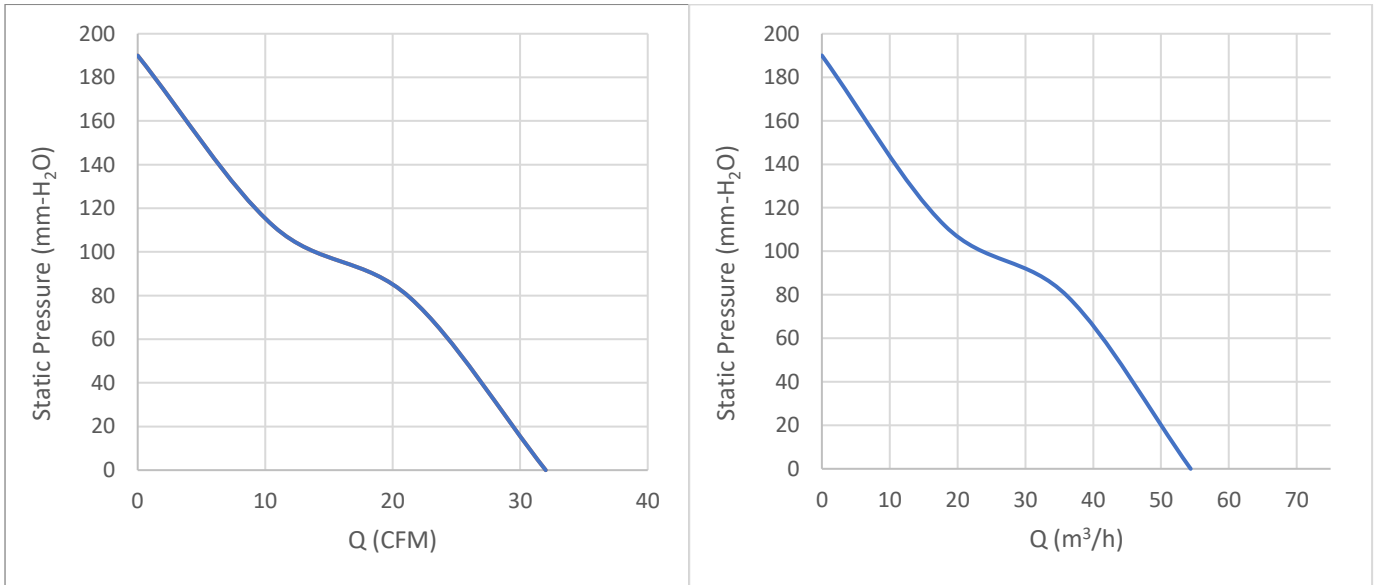
**Features -**

- 4 wire input 12VDC, 3<sup>rd</sup> wire 'tachometer' output signal wire, 4<sup>th</sup> wire 25KHz PWM input wire
- 12VDC (both stages) / 3.4A max @ 100% duty cycle / 0.2A max @ 0 – 30% duty cycle
- **Rated Power input –**
  - 30W (40.8W max @ 100% duty cycle)
  - 2.4W max @ 0 – 30% duty cycle.
- **RPM -**
  - Front stage: 29,000RPM / Rear stage: 24,000RPM @ 100% duty cycle
  - Rear stage: 6,000RPM / Rear stage: 4,000RPM @ 0 - 30% duty cycle
- **PQ Curves –**
  - 32CFM @ 100% duty cycle / 6.7" / H2O
  - 6.94CFM @ 0 – 30% duty cycle / 0.3" / H2O
- IP54 (IP20 coating available upon request)
- Premium quality ball bearing and grease systems
- Operating Temperature Range: -20 to +70 degrees C
- Storage Temperature Range: -25 to +70 degrees C
- Leadwires:
  - Red + 12VDC / Black – OVDC / Yellow – Tacho / Green – PWM input (front)
  - Orange + 12VDC / Grey – OVDC / White – Tacho / Green – PWM input (rear)
- UL file number: E236658
- Weight: 105 grams
- Acoustic Noise: 81 (dBA) @ 100% duty cycle / 46 (dBA) @ 0 – 30% duty cycle

## Dimensions -

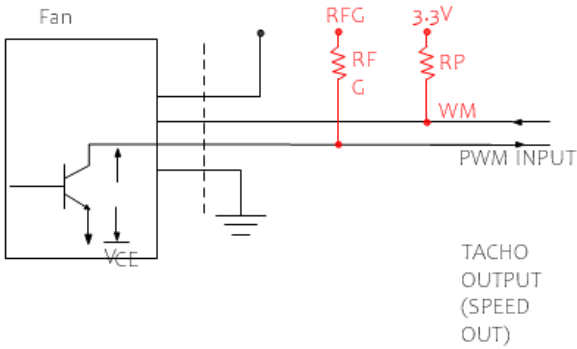


## Airflow / Pressure Curve -



# PWM Circuit –

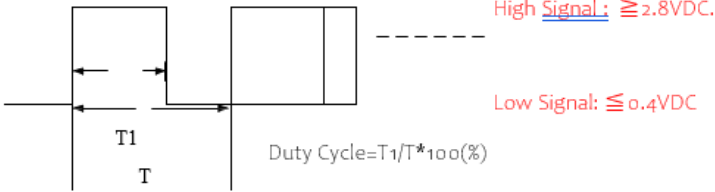
● PWM Circuit:(for reference) VCC



● When VRPM = 3.3V We Recommend R PWM = 1-10KΩ

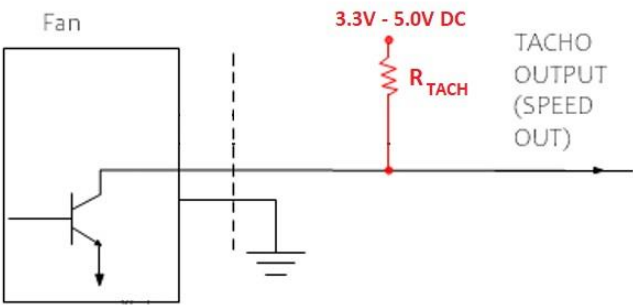
PWM Control Signal Input:

Signal Voltage Range :DC 0V ~5.5V (V = 5V)



- 1.The 25KHz operating frequency(customer preferred)has been tested and checked.
- 2.At 100% duty cycle, The fan will operate at maximum speed.
- 3.The fan will default to operate at maximum speed when the speed control input(PWM input)is left unconnected.

# Tacho Circuit –



NB: Suggested pull-up resistor value of 1K to 10KΩ