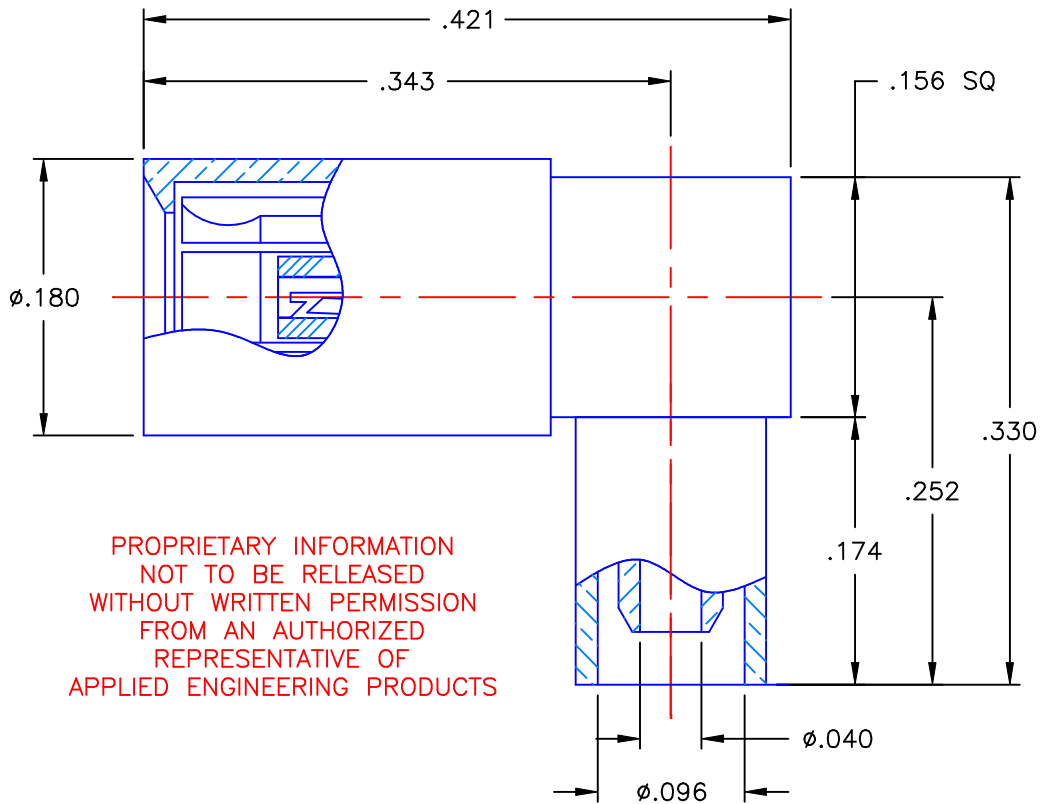


REVISIONS			
REV	DESCRIPTION	DATE	APPROVED
A	ECO #6997	01/28/08	D.N.



PROPRIETARY INFORMATION
NOT TO BE RELEASED
WITHOUT WRITTEN PERMISSION
FROM AN AUTHORIZED
REPRESENTATIVE OF
APPLIED ENGINEERING PRODUCTS



NOTES:

MATERIALS:

1. INTERFACE BODY & CONTACT = BERYLLIUM COPPER PER ASTM B196, ALLOY C17300, TEMPER TD04.
2. INSULATORS = VIRGIN WHITE TEFLON PER ASTM D1710, GRADE 1, TYPE I, CLASS "B".
3. CRIMP SLEEVE = SEAMLESS LOWLEAD BRASS TUBE, ALLOY 330, SOFT ANNEAL TEMPER, .025/.060 GRAIN SIZE OR SEAMLESS COPPER TUBE PER ASTM B75, TYPE C12000, TEMPER: LIGHT ANNEAL O50 EXCEPT YIELD STRENGTH.
4. SHRINK TUBE = RNF100 YELLOW (NOT SHOWN).
5. ALL OTHER METAL PARTS = BRASS PER ASTM B16, ALLOY C36000, TEMPER H02.

FINISHES:

1. CONTACT = GOLD PLATE PER MIL-G-45204, TYPE II, CLASS 1, GRADE C, OVER .00010 TO .00020 STRESS FREE SULFAMATE NICKEL PER QQ-N-290.
2. ALL OTHER METAL PARTS = GOLD PLATE PER MIL-G-45204, TYPE II, CLASS 0, GRADE C, OVER .00010 TO .00020 COPPER STRIKE PER MIL-C-14550.

UNLESS OTHERWISE SPECIFIED DIMENSIONS ARE IN INCHES TOLERANCES ON	DWN:	DATE	 APPLIED ENGINEERING PRODUCTS 104 John W. Murphy Dr. New Haven, CT 06513
	D.N.	01/28/08	
DECIMAL	ANGLE	DATE	
		01/28/08	SSMB RIGHT ANGLE FEMALE PLUG CRIMP TYPE FOR RG-178DS & SIMILAR CABLES
		DATE	
		01/28/08	SIZE: A FSCM NO.: 19505 DWG NO.: 7405-1521-005 REV: A
REFERENCE:	MATERIALS & FINISHES:	SCALE: 8:1	THIRD ANGLE PROJECTION  SHEET 1 OF 1
ORIGINATOR: K.MILLER DATE: 11/11/87	SEE NOTES		

7405-1521-005