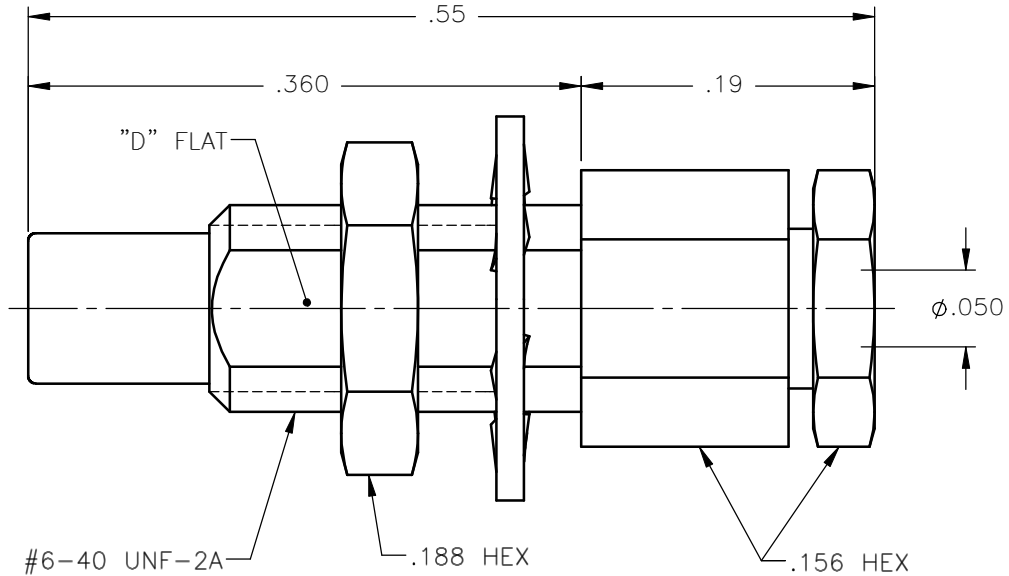


| REVISIONS |                 |          |          |
|-----------|-----------------|----------|----------|
| REV.      | DESCRIPTION     | DATE     | APPROVED |
| A         | INITIAL RELEASE | 01/10/08 | A.D.M.   |
| B         | ECN #7752       | 10/29/09 | A.D.M.   |




NOTES:

MATERIALS:

1. BODY & CONTACT = BERYLLIUM COPPER PER ASTM B196, ALLOY C17300, TEMPER TD04.
2. INSULATORS = VIRGIN WHITE TEFLON PER ASTM D1710, GRADE 1, TYPE I, CLASS "B".
3. BACK NUT & NUT = BRASS PER ASTM B16, ALLOY C36000, TEMPER H02.
4. LOCKWASHER = PHOSPHOR BRONZE PER ASTM B139, COPPER ALLOY C53400, TEMPER H04.

FINISHES:

1. CONTACT = GOLD PLATE PER MIL-G-45204, TYPE II, CLASS 1, GRADE C, OVER .00010 TO .00020 STRESS FREE SULFAMATE NICKEL PER QQ-N-290.
2. ALL OTHER METAL PARTS = GOLD PLATE PER MIL-G-45204, TYPE II, CLASS 0, GRADE C, OVER .00010 TO .00020 COPPER STRIKE PER MIL-C-14550.

|   |                 |                        |                |   |
|---|-----------------|------------------------|----------------|---|
| UNLESS OTHERWISE SPECIFIED DIMENSIONS ARE IN INCHES TOLERANCES ON |                 | DWN: A.D.M.            | DATE: 01/10/08 |  <b>APPLIED ENGINEERING PRODUCTS</b><br>104 John W. Murphy Dr.<br>New Haven, CT 06513<br><b>a RADIAL company</b> |
| DECIMAL   | ANGLE           | CHKD: D.N.             | DATE: 01/10/08 |   |
|   |                 | APVD: J.M.             | DATE: 01/10/08 |   |
| REFERENCE:  |                 | MATERIALS & FINISHES:  |                | SSMC STRAIGHT JACK<br>BULKHEAD REAR MOUNT SOLDER CLAMP TYPE<br>FOR .047 S/R & SIMILAR CABLES  |
| ORIGINATED: A.D.M.<br>DATE: 01/10/08                              |                 | SEE NOTES              |                |   |
| SIZE: A   | FSCM NO.: 19505 | DWG NO.: 7003-1542-011 | REV: B         |   |
| SCALE: 8:1  |                 | THIRD ANGLE PROJECTION |                | SHEET 1 OF 1  |

7003-1542-011