

10

9

8

7

6

5

4

3

2

1

F

F

E

E

D

D

C

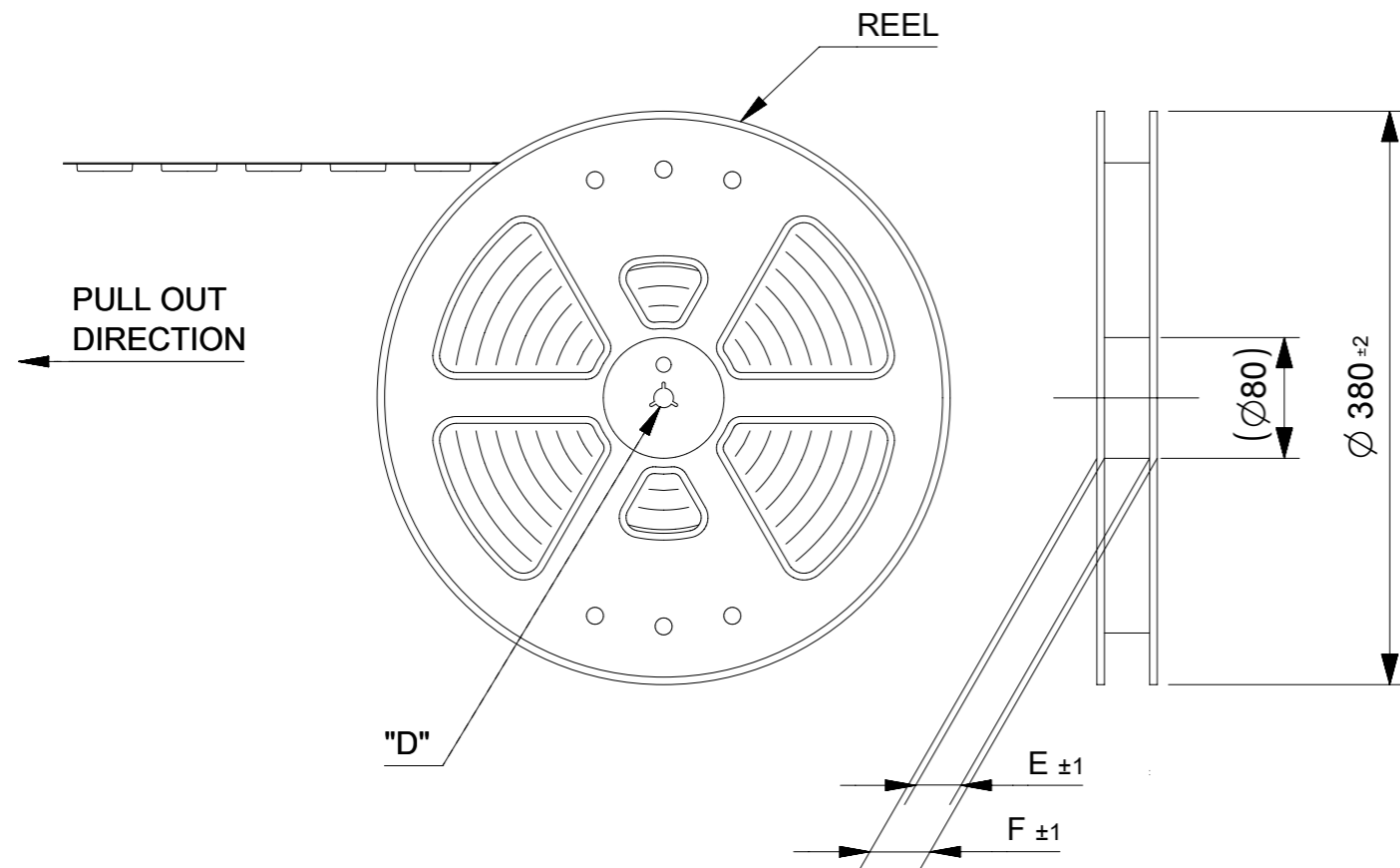
C

B

B

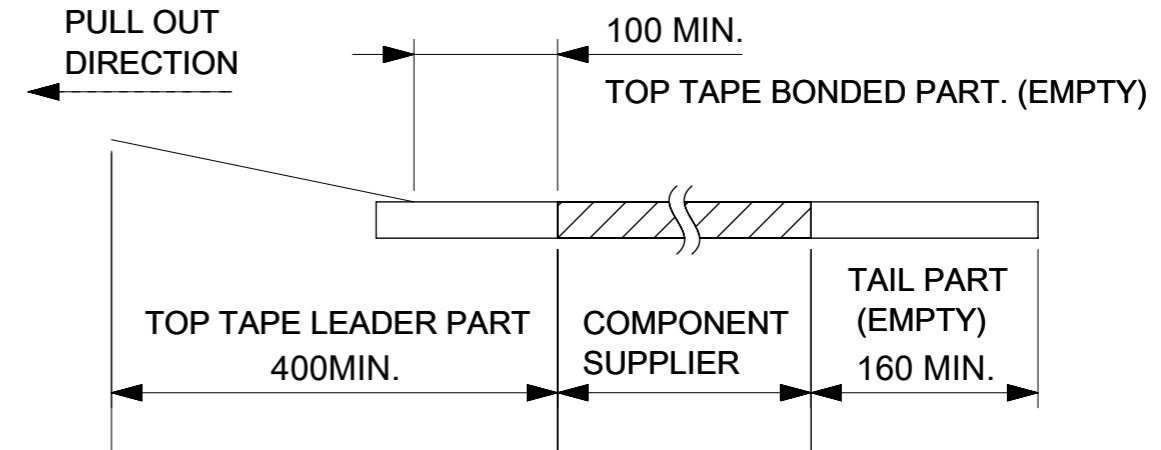
A

A

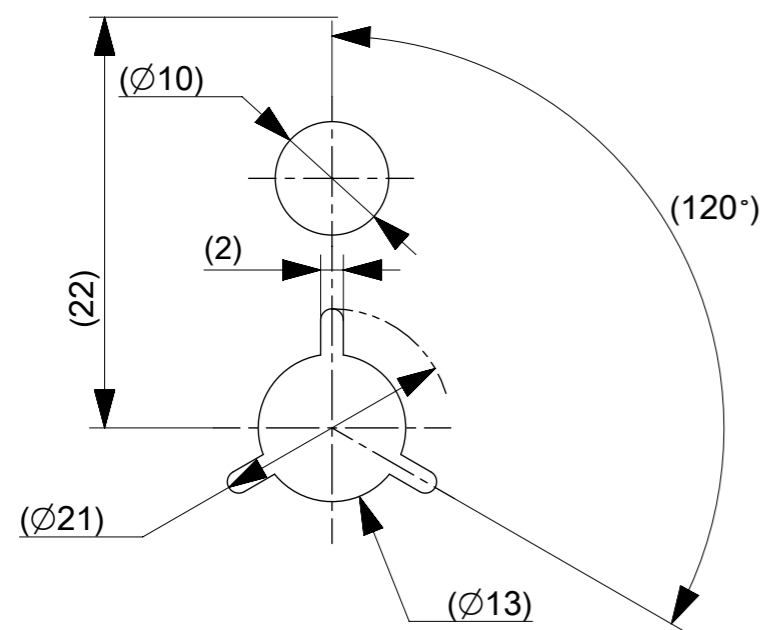


NOTES

- 1. RE DETAILED DIMENSION, SEE PRODUCT DRAWING.
- 2. NUMBER OF CONNECTORS : 20000PCS/REEL
- 3. LEAD TAPE LENGTH.



- 4. PEELING OFF FORCE OF THE TOP TAPE IS DEFINED BY IEC60286-3.
- 5. MATERIAL
 CARRIER TAPE : POLYSTYRENE OR PET
 TOP TAPE : PET , OTHER
 REEL : POLYSTYRENE (PS) < RECYCLE MATERIAL CONTAINED >
- 6. ELV AND RoHS COMPLIANT
- △ 7. CONFORM TO 2033909200-SPK_PS200 FOR PACKAGING SPECIFICATION.
- △ 8. CONFORM TO 2033909200-SPK_PS201 FOR PACKAGING SPECIFICATION.



DETAIL "D"

| | | | | | | | | | | | | | |
|---|--|------------------------|--|---|--|-----------|--|---|--|----------|--|-----------------|--|
| THIS DRAWING CONTAINS INFORMATION THAT IS PROPRIETARY TO MOLEX ELECTRONIC TECHNOLOGIES, LLC AND SHOULD NOT BE USED WITHOUT WRITTEN PERMISSION | | | | | | | | | | | | | |
| DIMENSION UNITS | | SCALE | | CURRENT REV DESC: | | | | molex | | | | | |
| mm | | 1:1 | | | | | | | | | | | |
| GENERAL TOLERANCES (UNLESS SPECIFIED) | | | | EC NO: 725424 DRWN: AISHII 2022/10/20 CHK'D: YKOBAYASHI02 2022/10/20 APPR: KSASAKI 2022/10/21 INITIAL REVISION: DRWN: DGONDO 2020/06/25 APPR: YKOBAYASHI02 2020/07/07 | | | | 0.175BB H=0.6 QUADROW PLUG EMBS PACKAGE | | | | | |
| ANGULAR TOL ± 3.0 ° | | | | | | | | PRODUCT CUSTOMER DRAWING | | | | | |
| 4 PLACES ± 0.03 | | 3 PLACES ± 0.03 | | | | | | DOCUMENT NUMBER | | DOC TYPE | | DOC PART | |
| 2 PLACES ± 0.05 | | 1 PLACE ± 0.1 | | | | | | 2033900000-SD | | PSD | | 000 | |
| 1 PLACE ± 0.1 | | 0 PLACES ± 0.2 | | | | | | REVISION | | E | | | |
| DRAFT WHERE APPLICABLE MUST REMAIN WITHIN DIMENSIONS | | THIRD ANGLE PROJECTION | | | | | | DRAWING | | SERIES | | MATERIAL NUMBER | |
| | | A3-SIZE | | 203390 | | SEE CHART | | GENERAL | | | | | |
| | | | | | | | | SHEET NUMBER | | | | | |
| | | | | | | | | 1 OF 2 | | | | | |

9

8

7

6

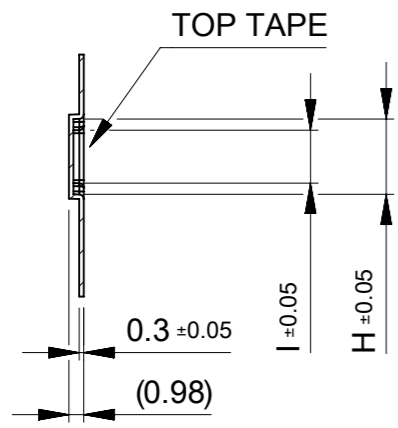
5

4

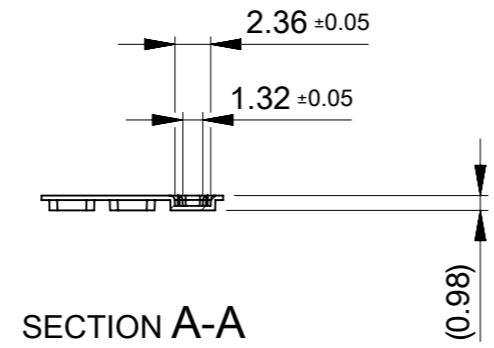
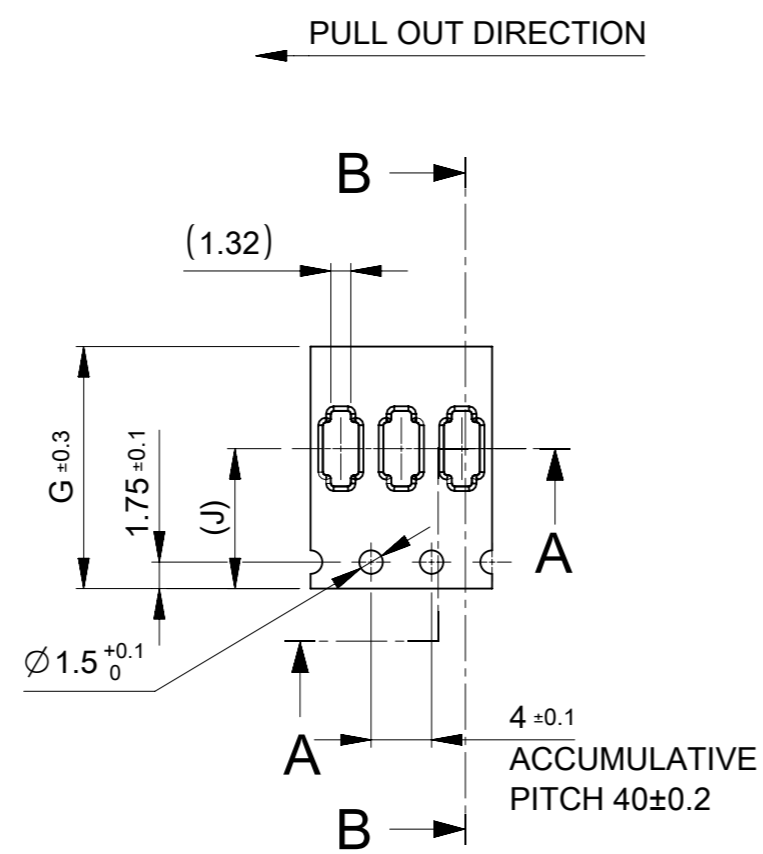
3

2

1



SECTION B-B

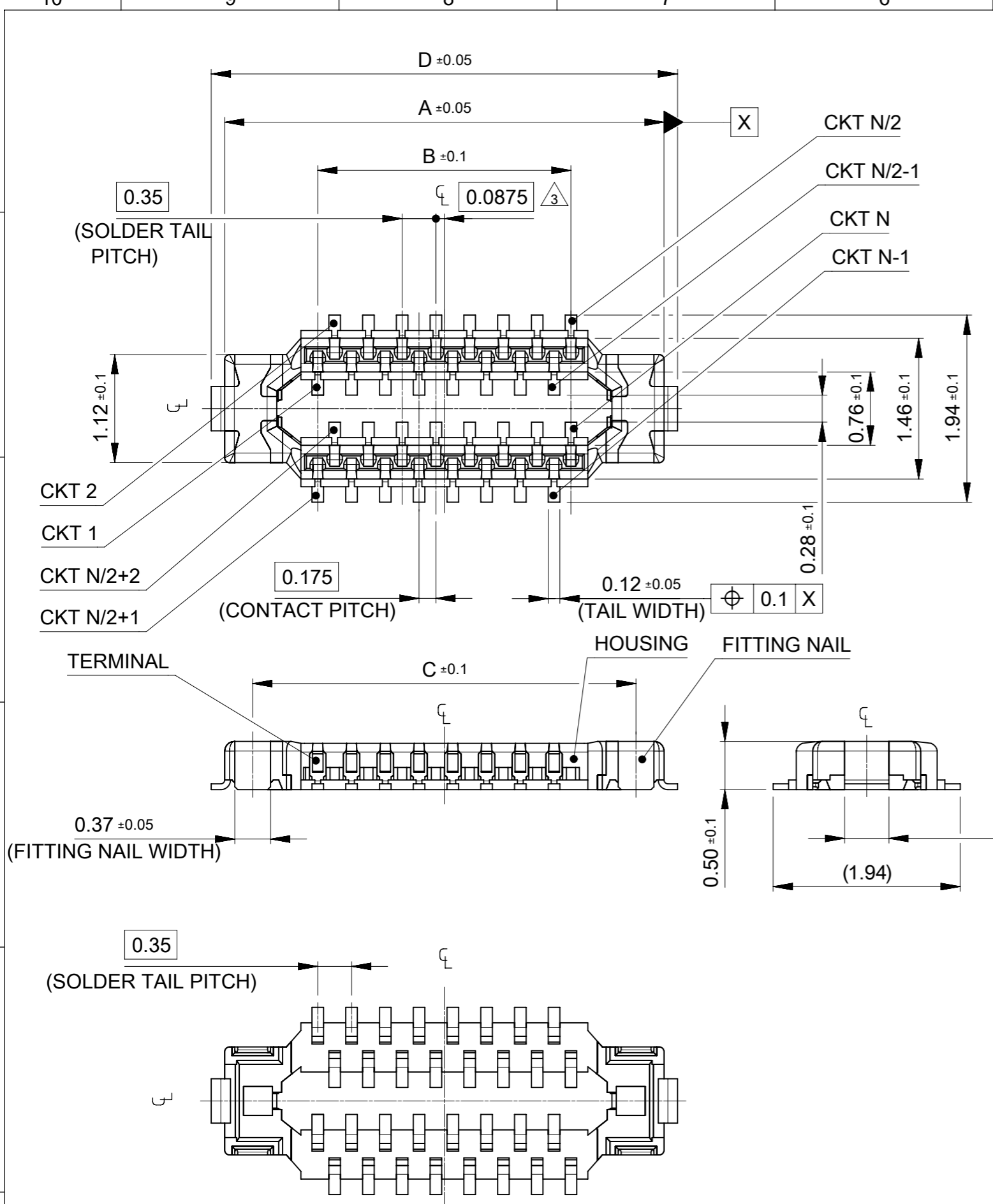


SECTION A-A

| | | | | | | | | |
|-----|------|-------|----|------|------|-------------------------------|-------------------------------|---------|
| 7.5 | 3.85 | 5.325 | 16 | 21.4 | 17.4 | 2033900363 | 2033900361 | 36 |
| 7.5 | 3.5 | 4.975 | 16 | 21.4 | 17.4 | 2033900323 | 2033900321 | 32 |
| J | I | H | G | F | E | ORDER NO. | ORDER NO. | CIRCUIT |
| | | | | | | PACKAGING SPEC: $\triangle 8$ | PACKAGING SPEC: $\triangle 7$ | |

THIS DRAWING CONTAINS INFORMATION THAT IS PROPRIETARY TO MOLEX ELECTRONIC TECHNOLOGIES, LLC AND SHOULD NOT BE USED WITHOUT WRITTEN PERMISSION

| | | | | |
|--|-------|--------------------------------|-----------------|---|
| DIMENSION UNITS | SCALE | CURRENT REV DESC: | | molex |
| mm | 2:1 | | | |
| GENERAL TOLERANCES (UNLESS SPECIFIED) | | EC NO: 725424 | | 0.175BB H=0.6 QUADROW PLUG EMBS PACKAGE |
| ANGULAR TOL ± 3.0 ° | | DRWN: AISHII 2022/10/20 | | |
| 4 PLACES ± 0.03 | | CHK'D: YKOBAYASHI02 2022/10/20 | | PRODUCT CUSTOMER DRAWING |
| 3 PLACES ± 0.03 | | APPR: KSASAKI 2022/10/21 | | |
| 2 PLACES ± 0.05 | | INITIAL REVISION: | | DOCUMENT NUMBER |
| 1 PLACE ± 0.1 | | DRWN: DGONDO 2020/06/25 | | |
| 0 PLACES ± 0.2 | | APPR: YKOBAYASHI02 2020/07/07 | | 2033900000-SD |
| DRAFT WHERE APPLICABLE MUST REMAIN WITHIN DIMENSIONS | | THIRD ANGLE PROJECTION | DRAWING | |
| | | | A3-SIZE | PSD |
| | | SERIES | MATERIAL NUMBER | DOC PART |
| | | 203390 | SEE CHART | 000 |
| | | CUSTOMER | SHEET NUMBER | REVISION |
| | | GENERAL | 2 OF 2 | E |



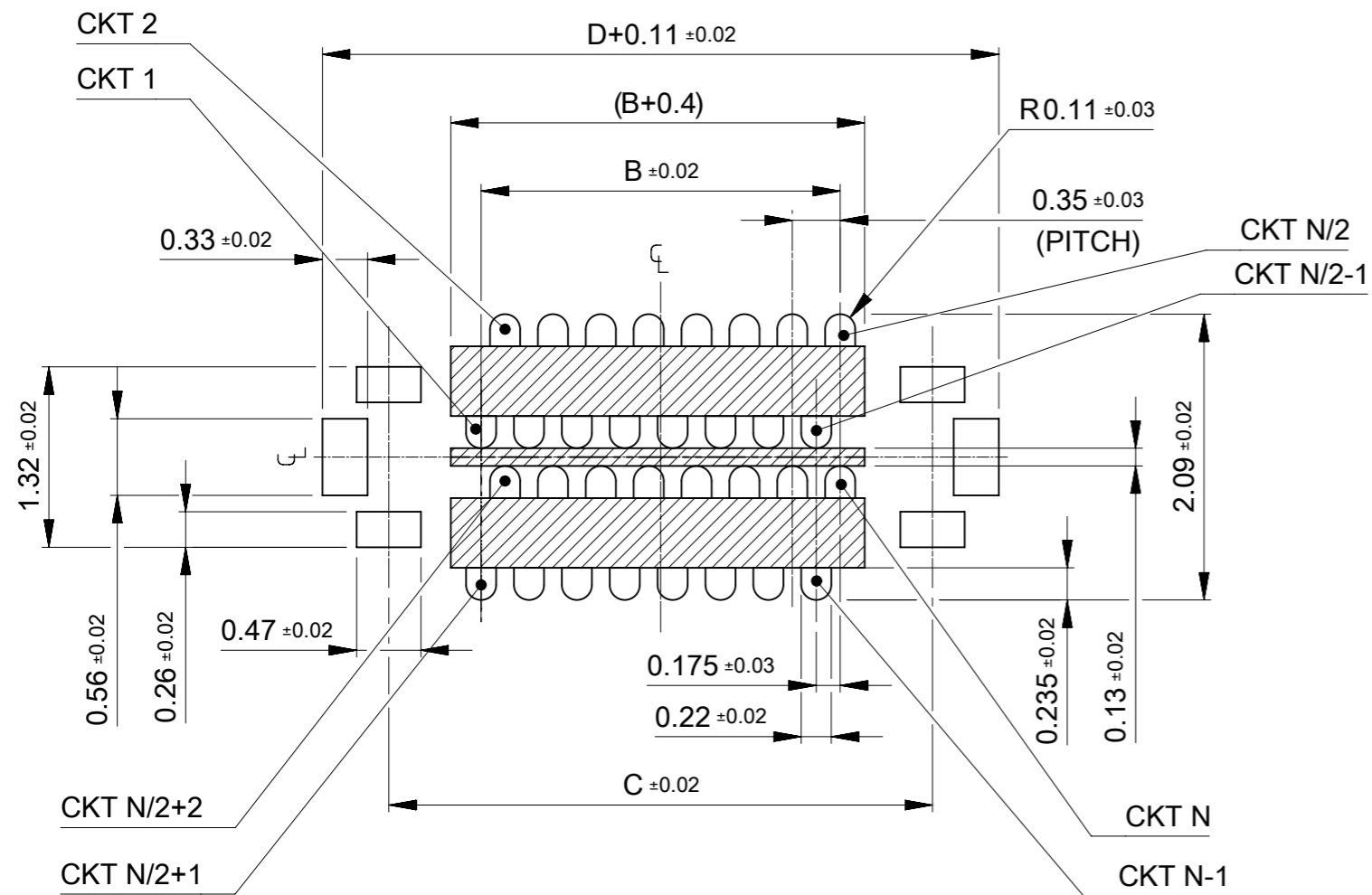
NOTES

- MATERIAL**
 HOUSING : LIQUID CRYSTAL POLYMER UL94V-0(COLOR : BLACK)
 TERMINAL : COPPER ALLOY
 FITTING NAIL : COPPER ALLOY
 - PLATING**
TERMINAL
 CONTACT AREA : GOLD 0.1 μ m MIN.
 TAIL AREA : GOLD 0.05 μ m MIN.
 UNDER PLATING : NICKEL 1.0 μ m MIN.
 *DIVIDE INTO PARTS THE GOLD PLATING OF CONTACT AND THE TAIL PART BY THE NICKEL PLATING.
 *EITHER GOLD OR NICKEL PLATING IS ACCEPTABLE IN THE AREA WHICH IS NOT SPECIFIED AS CONTACT TAIL OR NICKEL BARRIER.
 - FITTING NAIL**
 CONTACT AREA : GOLD 0.1 μ m MIN.
 TAIL AREA : GOLD 0.05 μ m MIN.
 UNDER PLATING : NICKEL 1.0 μ m MIN.
 *DIVIDE INTO PARTS THE GOLD PLATING OF CONTACT AND THE TAIL PART BY THE NICKEL PLATING.
 *EITHER GOLD OR NICKEL PLATING IS ACCEPTABLE IN THE AREA WHICH IS NOT SPECIFIED AS CONTACT TAIL OR NICKEL BARRIER.
- $\triangle 3$ APPLY FOR (CIRCUIT/4)=EVEN
- MATE WITH : 2033890**1, 2033890**3
 - TAIL AND FITTING NAIL COPLANARITY TO BE 0.08mm MAXIMUM.
 - CONFORM TO 2033909200-SPK_PS200 FOR PACKAGING SPECIFICATION.
 - CONFORM TO 2033909200-SPK_PS201 FOR PACKAGING SPECIFICATION.

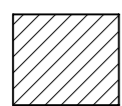
| | | | | | | |
|-------|-------|-------|-------|-------------------------------|-------------------------------|---------|
| 5.185 | 4.325 | 2.975 | 4.905 | 2033900363 | 2033900361 | 36 |
| 4.835 | 3.975 | 2.625 | 4.555 | 2033900323 | 2033900321 | 32 |
| D | C | B | A | EMBOSSED TAPE PACKAGE | EMBOSSED TAPE PACKAGE | CIRCUIT |
| | | | | ORDER No. | ORDER No. | |
| | | | | PACKAGING SPEC: $\triangle 7$ | PACKAGING SPEC: $\triangle 6$ | |

CONNECTOR SERIES No. : 203390***1

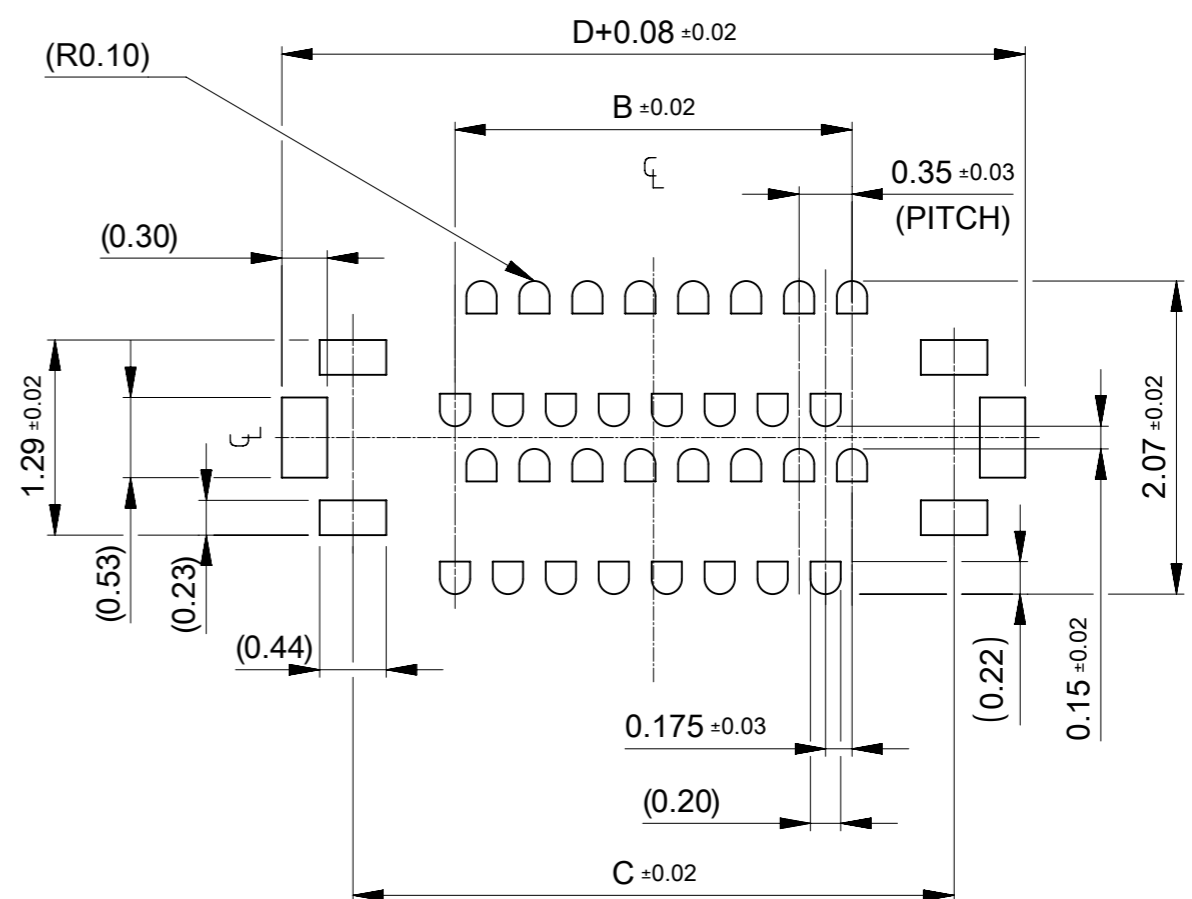
| | | | | | |
|---|-----------------|--|---------|-----------------------------------|-----------------|
| THIS DRAWING CONTAINS INFORMATION THAT IS PROPRIETARY TO MOLEX ELECTRONIC TECHNOLOGIES, LLC AND SHOULD NOT BE USED WITHOUT WRITTEN PERMISSION | | CURRENT REV DESC: | | molex | |
| DIMENSION UNITS | SCALE | EC NO: 725424 | | | |
| mm | 20:1 | DRWN: AISHII 2022/10/20 | | 0.175 BB H=0.6 QUAD ROW PLUG ASSY | |
| GENERAL TOLERANCES (UNLESS SPECIFIED) | | CHK'D: YKOBAYASHI02 2022/10/20 | | PRODUCT CUSTOMER DRAWING | |
| ANGULAR TOL | $\pm 3.0^\circ$ | APPR: KSASAKI 2022/10/21 | | DOCUMENT NUMBER | |
| 4 PLACES | ± 0.03 | INITIAL REVISION: | | DOC TYPE | |
| 3 PLACES | ± 0.03 | DRWN: DGONDO 2020/06/25 | | DOC PART | |
| 2 PLACES | ± 0.05 | APPR: YKOBAYASHI02 2020/07/07 | | REVISION | |
| 1 PLACE | ± 0.1 | DRAFT WHERE APPLICABLE MUST REMAIN WITHIN DIMENSIONS | | 2033901000-SD | |
| 0 PLACES | ± 0.2 | THIRD ANGLE PROJECTION | DRAWING | SERIES | MATERIAL NUMBER |
| | | ϕ \square | A3-SIZE | 203390 | CUSTOMER |
| | | | | SEE CHART | GENERAL |
| | | | | SHEET NUMBER | |
| | | | | 1 OF 2 | |



RECOMMENDED P.W.BOARD PATTERN LAYOUT (REFERENCE)
(SM OPENING DIMENSION)

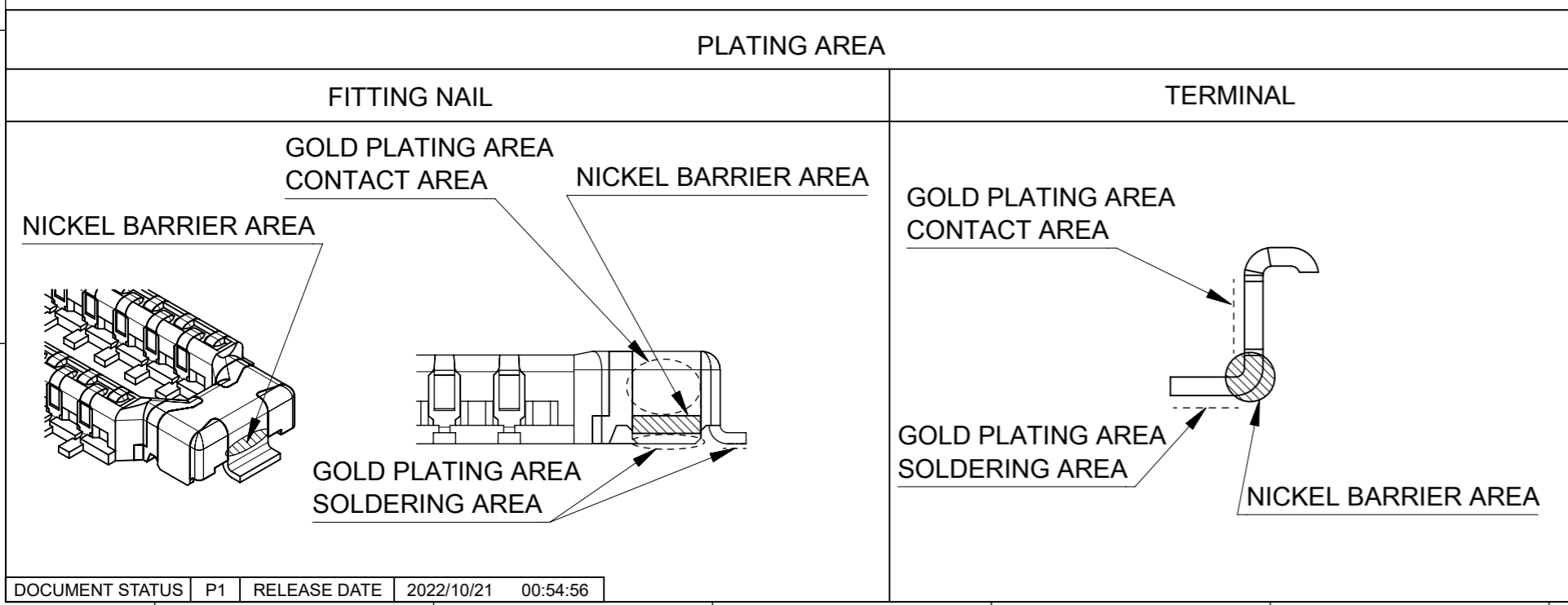


SOLDERING PROHIBITED AREA
WHEN WIRING IS LOCATED,
THE WIRING MUST BE MASKED BY COVER LAY OR RESIST FILM.



RECOMMENDED METAL MASK LAYOUT (REFERENCE)

RECOMMENDED THICKNESS OF METAL MASK : $t=0.08\text{mm}$
RECOMMENDED OPEN APERTURE RATIO OF METAL MASK : 80%



| | | | | | |
|---|---------|---------------------|-----------------|-----------------------------------|----------|
| THIS DRAWING CONTAINS INFORMATION THAT IS PROPRIETARY TO MOLEX ELECTRONIC TECHNOLOGIES, LLC AND SHOULD NOT BE USED WITHOUT WRITTEN PERMISSION | | CURRENT REV DESC: | | molex | |
| DIMENSION UNITS | SCALE | | | | |
| mm | 20:1 | | | 0.175 BB H=0.6 QUAD ROW PLUG ASSY | |
| GENERAL TOLERANCES (UNLESS SPECIFIED) | | | | PRODUCT CUSTOMER DRAWING | |
| ANGULAR TOL | ± 3.0 ° | | | DOCUMENT NUMBER | |
| 4 PLACES | ± 0.03 | EC NO: 725424 | 2022/10/20 | 2033901000-SD | |
| 3 PLACES | ± 0.03 | DRWN: AISHII | 2022/10/20 | DOC TYPE | DOC PART |
| 2 PLACES | ± 0.05 | CHK'D: YKOBAYASHI02 | 2022/10/21 | PSD | 000 |
| 1 PLACE | ± 0.1 | APPR: KSASAKI | 2022/10/21 | REVISION | |
| 0 PLACES | ± 0.2 | INITIAL REVISION: | | E | |
| DRAFT WHERE APPLICABLE MUST REMAIN WITHIN DIMENSIONS | | DRWN: DGONDO | 2020/06/25 | SHEET NUMBER | |
| THIRD ANGLE PROJECTION | | APPR: YKOBAYASHI02 | 2020/07/07 | SEE CHART | GENERAL |
| DRAWING | | SERIES | MATERIAL NUMBER | CUSTOMER | |
| A3-SIZE | | 203390 | GENERAL | 2 OF 2 | |