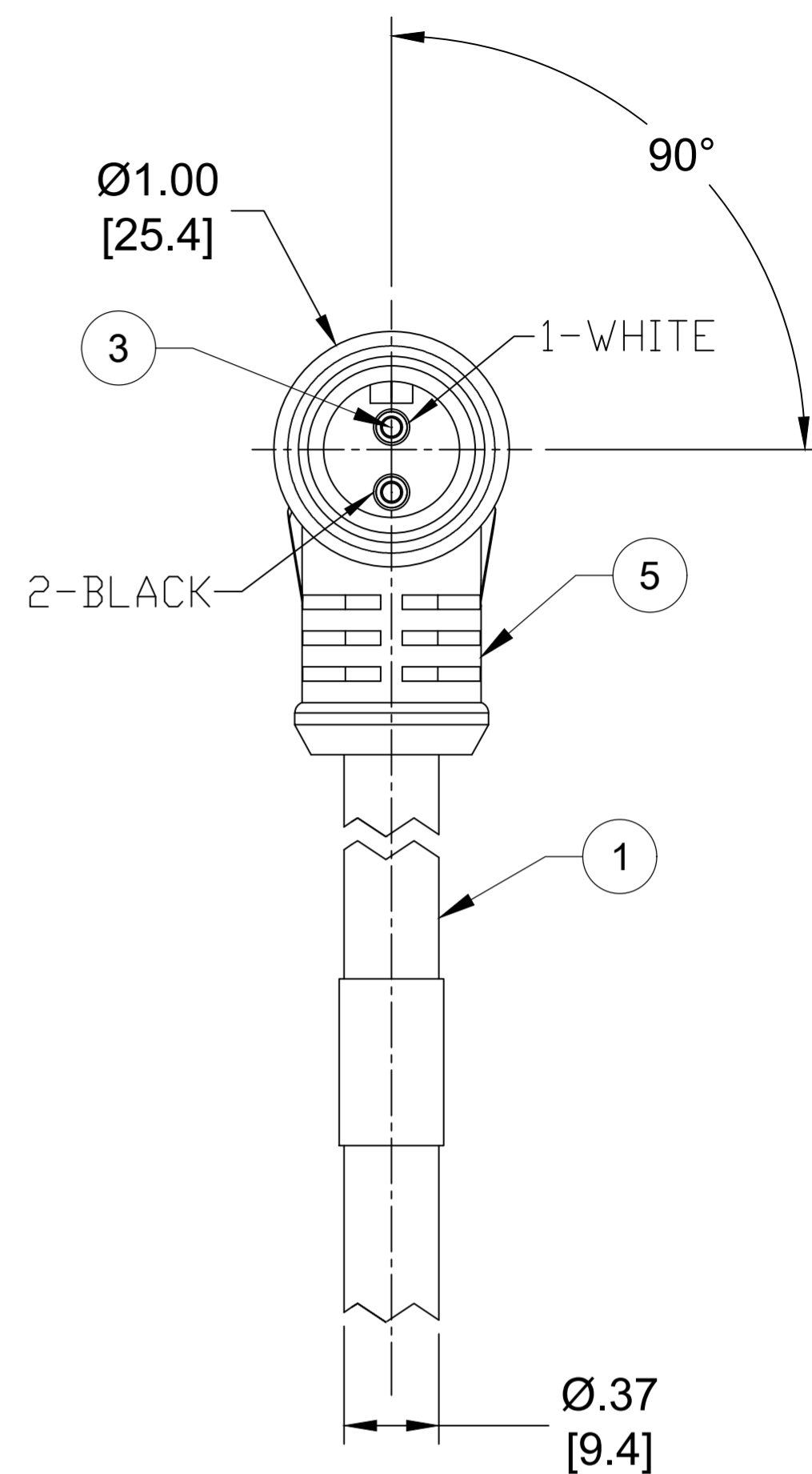
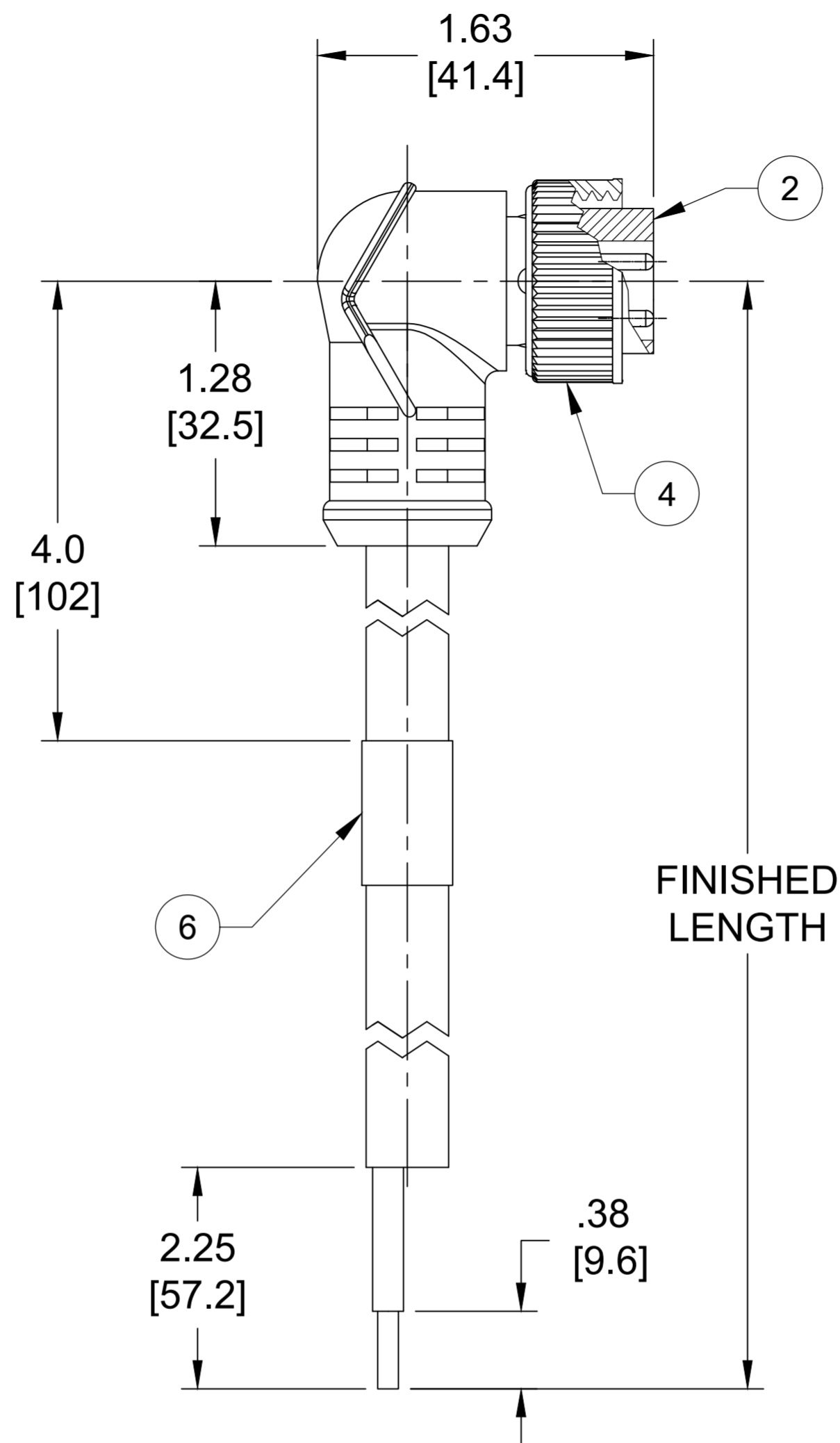
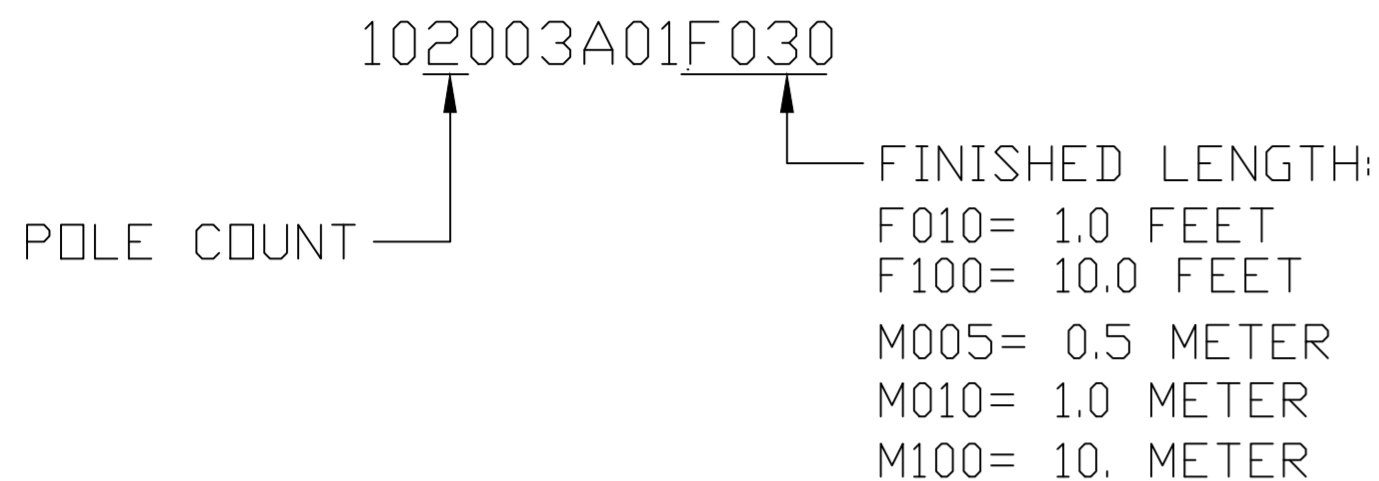


PART NO.	ENGINEERING NO.	FINISHED LENGTH
1300060192	102003A01F030	3.0FT [91.4M]
1300060194	102003A01F060	6.0FT [1.8M]
1300060200	102003A01F200	20.0FT [6.1M]

REF. THIS DRAWING SUPERSEDES SD-130006-035 REV-1 (A)



**PART NUMBER LEGEND**



**NOTES:**

1. MATERIAL: AS NOTED
2. FINISH: AS NOTED
3. ELECTRICAL:  
VOLTAGE: 500V PER IEC60664  
600V PER UL2238  
CURRENT: 13A
4. TEMP RATING: -20°TO +80°C
5. PROTECTION: IP67 (WHEN MATED)
6. COUPLING THREAD: 7/8-16UN
7. UL RECOGNIZED FILE: E152210  
CSA CERTIFIED FILE: LR6837
8. ALL DIMS ARE FOR REFERENCE UNLESS TOLERANCED OR NOTED OTHERWISE

CABLE LENGTH TOLERANCES	
>.3M [1FT]:	+19mm-0 [+ .75in-0]
.3 - .9M [1 - 3FT]:	+44.5mm-0 [+1.75in-0]
.9 - 1.8M [3 - 6FT]:	+55.6mm-0 [+2.19in-0]
1.8 - 3.7M [6 - 12FT]:	+88.9mm-0 [+3.50in-0]
3.7 - 7.3M [12 - 24FT]:	+165.1mm-0 [+6.50in-0]
7.3-14.6M [24 - 48FT]:	+317.5mm-0 [+12.50in-0]
14.6 - 30.5M [48-100FT]:	+622.3mm-0 [+24.50in-0]
OVER 30M [100FT]	+2% OF FINISHED LENGTH

ITEM	DESCRIPTION	MATERIAL	FINISH
6	WRAP LABEL	VINYL	BLACK/YELLOW
5	OVERMOLD	TPE	YELLOW
4	COUPLING NUT, INT. THD	ZINC DIE-CAST	NICKEL PLATED
3	CONTACT PIN	COPPER ALLOY	GOLD PLATED
2	MALE INSERT	TPE	YELLOW
1	CABLE, 16/2, ST00W	PVC JACKET	YELLOW

SYMBOLS DIMENSION UNITS: INCH/MM SCALE: 1:1 CURRENT REV DESC: REDRAWN, WAS SD-130006-035				<b>molex</b> MINI CHANGE CABLE ASSY, 2P MALE, 90 DEG 16AWG, ST00W, INTERNAL THREAD	
GENERAL TOLERANCES (UNLESS SPECIFIED) 4 PLACES ±.004 ±.004 3 PLACES ±.005 ±.005 2 PLACES ±.006 ±.006 1 PLACE ±.007 ±.007 0 PLACES ±.008 ±.008		EC NO: 624117 DRWN: RSTONE 2019/09/10 CHK'D: MZIELINSKI 2019/09/19 APPR: BWOODMAN 2019/10/03		PRODUCT CUSTOMER DRAWING DOCUMENT NUMBER: 1300060192 DOC TYPE: PSD DOC PART: 000 REVISION: A	
INITIAL REVISION: DRWN: RSTONE 2019/09/10 APPR: BWOODMAN 2019/10/03		THIRD ANGLE PROJECTION DRAWING: C-SIZE SERIES: 130006		MATERIAL NUMBER: SEE P/N CHART CUSTOMER: ---- SHEET NUMBER: 1 OF 1	