

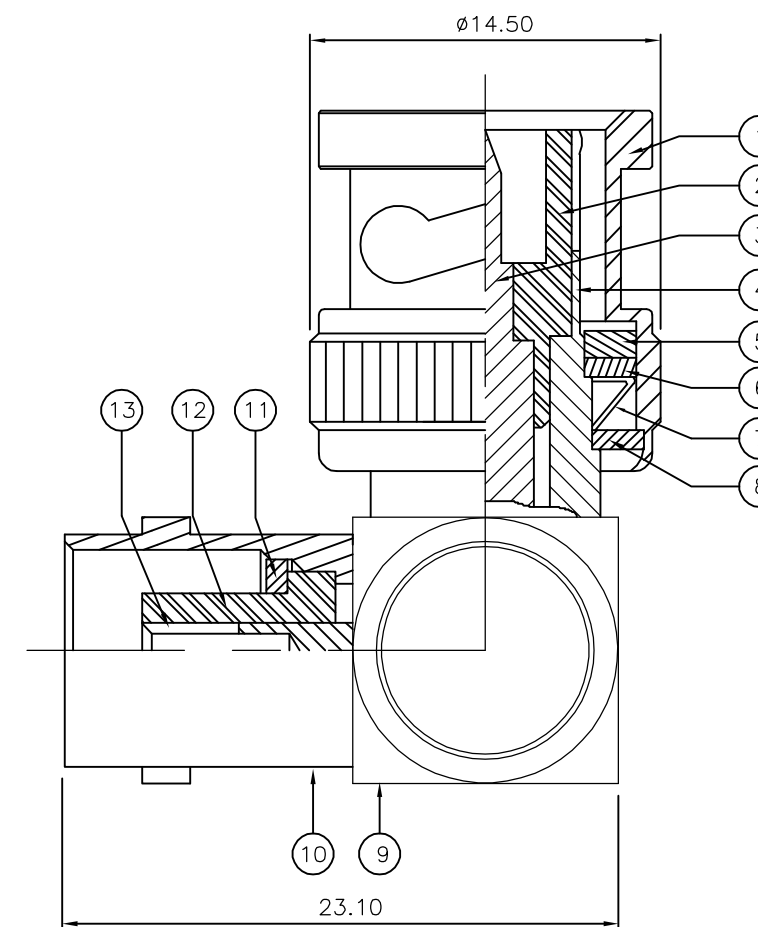
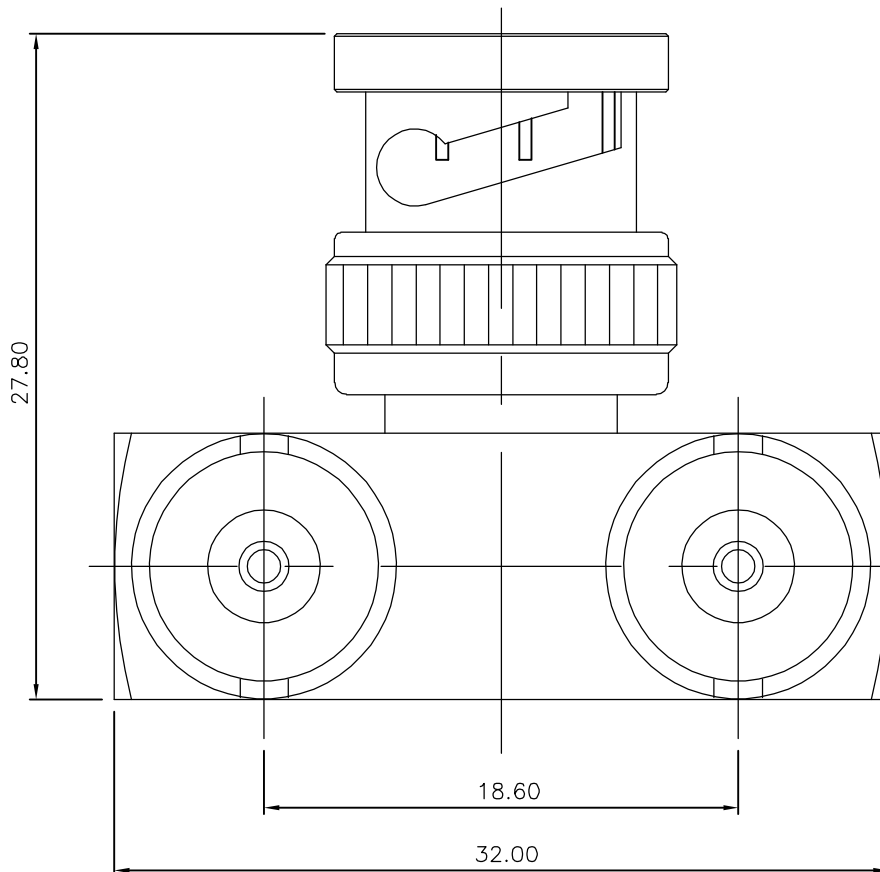
THIS DRAWING IS UNPUBLISHED. RELEASED FOR PUBLICATION AUGUST ,2005.

© COPYRIGHT 2005 BY TYCO ELECTRONICS CORPORATION. ALL RIGHTS RESERVED.

LOC	DIST	REVISIONS					
E	B	P	LTR	DESCRIPTION	DATE	DWN	APVD
		C		ECR-05-018891	25AUG06	JMS	FWK

NOTES:

- 1 PACK IN ACCORDANCE WITH AMP SPEC 107-3275
- 2 100 TRAY PACK IN ACCORDANCE WITH AMP SPEC 107-3275
- 3 Au PLATING
- 4 Ni PLATING
- 5 THIS ITEM MUST BE WHITE
- 6 ELECTRICAL CHARACTERISTICS
 FREQUENCY RANGE: DC - 4 GHz
 NOMINAL IMPEDANCE: 50 Ohm
 INSULATION RESISTANCE: 5000 MOhm
 WORKING VOLTAGE: 500 Volts RMS at Sea Level
 DIELECTRIC WITHSTAND VOLTAGE: 1500 Volts RMS Max
 CONTACT RESISTANCE: 1.50 mOhm Max
 CENTRE CONTACT: 0.20 mOhm Max
 VSWR @ xGHz: N/A
 INSERTION LOSS xdb: N/A
- 7 MECHANICAL CHARACTERISTICS
 COUPLING RETENTION FORCE: N/A
 CABLE RETENTION FORCE: N/A
 DURABILITY: 500 Cycles Min
- 8 ENVIRONMENTAL CHARACTERISTICS
 OPERATING TEMPERATURE: -65 to +85 DegC
- 9 FOR TECHNICAL DATA REFER TO YOUR LOCAL TYCO ELECTRONICS SALES OFFICE
- 10 ALL DIMENSIONS ARE NOMINAL FOR REFERENCE ONLY UNLESS OTHERWISE STATED



QTY	QTY	MATERIAL	FINISH	DESCRIPTION	ITEM
2	2	SRASS	3	CONTACT 2	13
2	2	PP		INSULATION	12
2	2	BRASS	4	SLEEVE	11
2	2	BRASS	4	BODY 3	10
1	1	BRASS	4	BODY 2	9
1	1	BRASS	4	WASHER	8
1	1	SPRING STEEL		SPRING	7
1	1	BRASS	4	RETAINING RING	6
1	1	SILICON RUBBER	5	GASKET	5
1	1	BRASS	4	BODY 1	4
1	1	BRASS	3	CONTACT 1	3
1	1	PP		INSULATION	2
1	1	BRASS	4	SHELL	1
6--0	1--0	MATERIAL		DESCRIPTION	ITEM

THIS DRAWING IS A CONTROLLED DOCUMENT.		DWN J.SANDWELL 25AUG06	Tyco Electronics Corporation Bideford EX39 4HE	
DIMENSIONS: mm		CHK S.PARLOW 25AUG06		
TOLERANCES UNLESS OTHERWISE SPECIFIED:		APVD F.WHEELER-KING 25AUG06	NAME BNC ELBOW Y-ADAPTOR P-J-J 50 OHM	
0 PLC ± -		PRODUCT SPEC -	APPLICATION SPEC -	
1 PLC ± -		WEIGHT -	SIZE A3	CAGE CODE 00779
2 PLC ± -		DRAWING NO C-1337461		
3 PLC ± -		RESTRICTED TO -		
4 PLC ± -		SCALE NTS		
4 PLC ANGLES ± -		SHEET 1 OF 1		
MATERIAL SEE TABLE		REV C		
FINISH -		CUSTOMER DRAWING		