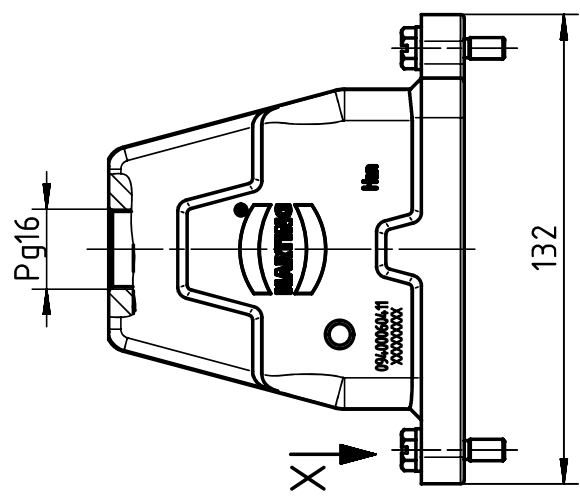
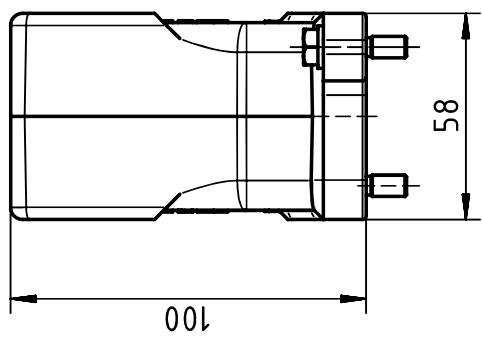


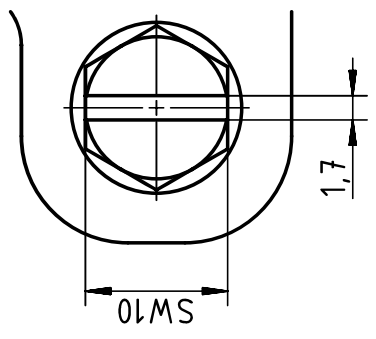
A



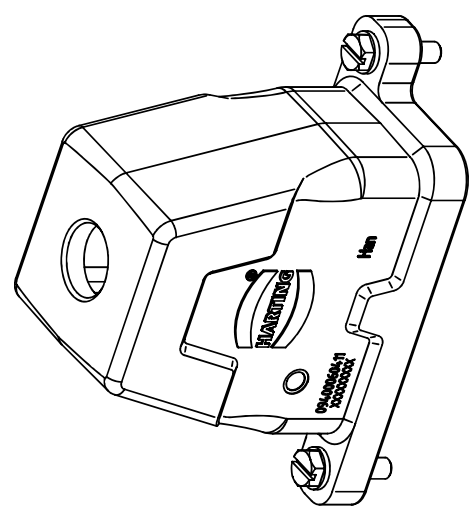
B



X (2:1)



C



D

	All Dimensions in mm Original Size DIN A4	Scale 1:2	Free size tol.	Ref. Sub.
		Created by RULLKOETTER	Inspected by SCHNIEDER	Date 2014-02-17
All rights reserved Department EL PD - DE		Standardisation TIEMANNA		State Final Release
HARTING Electric GmbH & Co. KG D-32339 Espelkamp		Title Han 6HPR Hood Top Entry PG16 Screw lock		Doc-Key / ECM-Nr. 100208589/UGD/004/A 50000031789
		Type TB	Number 09 40 006 0411	Rev. A
				Page 1/1