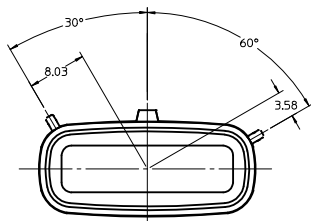
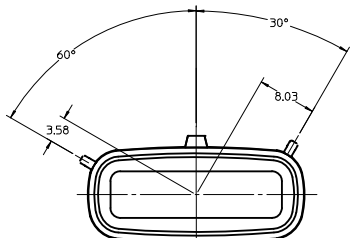


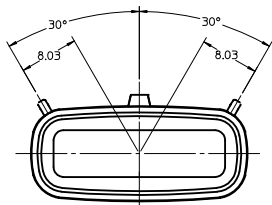
KEYING OPTION 'A'
SUGGESTED COLOR: BLACK



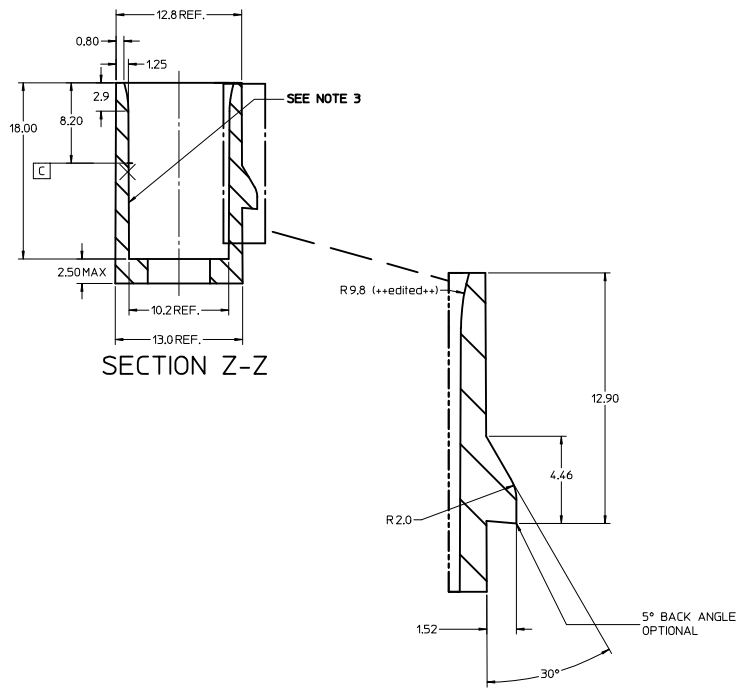
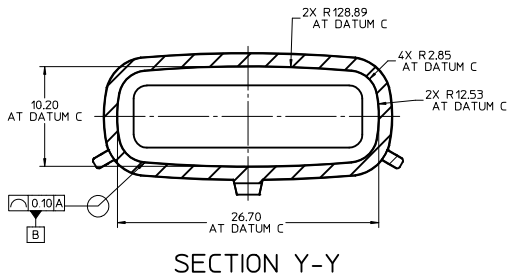
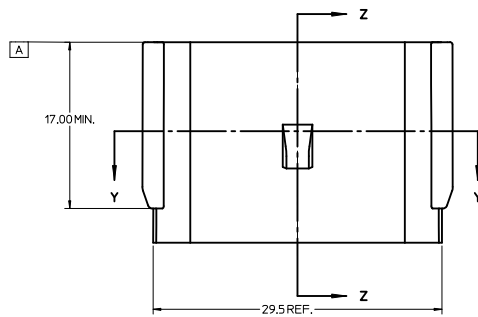
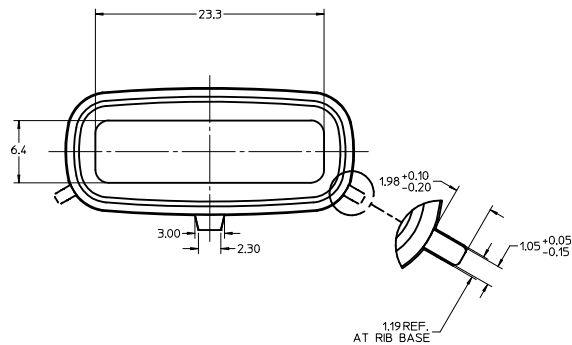
KEYING OPTION 'B'
SUGGESTED COLOR: GREY



KEYING OPTION 'C'
SUGGESTED COLOR: BROWN



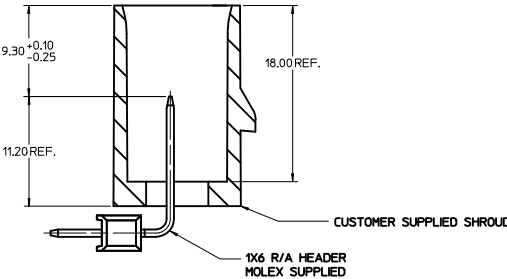
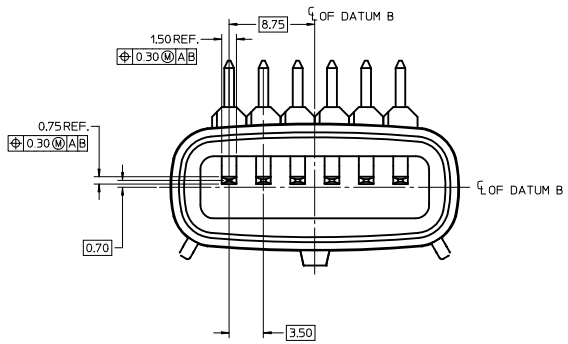
KEYING OPTION 'D'
SUGGESTED COLOR: GREEN



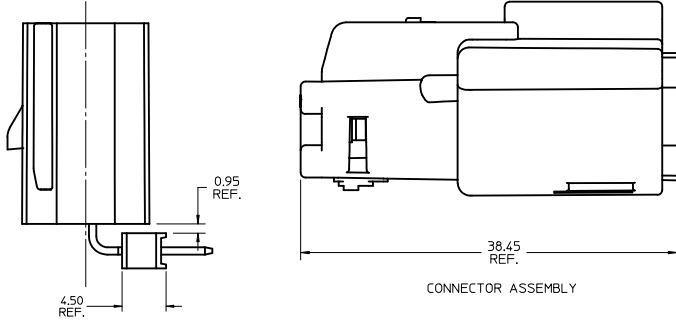
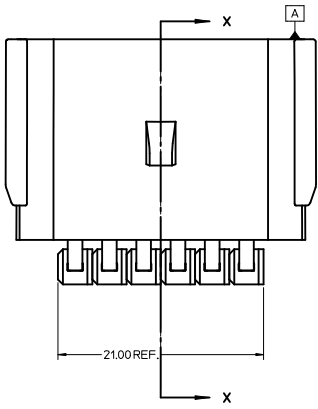
- NOTES:**
1. REFER TO MOLEX SALES DRAWING SD-75900-002 FOR THE HEADER ASSEMBLY PRODUCT DETAILS AND RECOMMENDED PCB LAYOUT.
 2. KEYING OPTIONS A-D AND SUGGESTED COLORS COMPLY TO THE POLARIZATION STANDARDS ESTABLISHED FOR MATING WITH A MX150 FEMALE CONNECTOR.
 3. INTERIOR SHROUD SURFACE MUST BE FREE OF DEFECTS AND PARTING LINES ALL AROUND TO ENSURE PROPER SEALING OF THE MATING MX150 FEMALE CONNECTOR.
 4. A FULL SHROUD ON THE MATING CONNECTOR IS REQUIRED TO INSURE THE HEADER SHROUD POLARIZATION FEATURES (OPTIONS A-D) WILL FUNCTION PROPERLY. THE FULL SHROUD ALSO PREVENTS SCOOP DAMAGE TO THE HEADER CONTACTS.
 5. PERMISSIBLE DRAFT ANGLE 0.25° MAXIMUM.
 6. RADI ON ALL CORNERS SHOWN SHARP OR ALL UNSPECIFIED RADII 0.25 EXCEPT AS NOTED.
 7. DIMENSIONS SHOWN ABOUT A CENTERLINE ARE SYMMETRICAL ABOUT THAT CENTERLINE WITHIN HALF THE SPECIFIED TOLERANCE.

<p>NEW RELEASE EC NO. UCP2011-3372 DRAWN BY DROSCA 2010/10/12 CHKD: JCOMERCI 2011/06/17 APPR: JCOMERCI 2011/06/17</p>	QUALITY SYMBOLS	GENERAL TOLERANCES (UNLESS SPECIFIED)		DIMENSION STYLE		SCALE	DESIGN UNITS	THIRD ANGLE PROJECTION
	<p>▽=0 ▽=0</p>	mm	INCH	MM ONLY		4:1	METRIC	
		4 PLACES ±---	±---	DRAWN BY DROSCA	DATE 2010/10/12	TITLE		
		3 PLACES ±---	±---	CHECKED BY	DATE	APPLICATION SPEC 1X6 MX150 R/A HEADER SHROUD DETAILS		
	2 PLACES ±0.13	±---	APPROVED BY JCOMERCI	DATE 2011/06/17	MOLEX INCORPORATED			
	1 PLACE ±0.25	±---	WATERL. NO. 75900-1060		DOCUMENT NO. AS-75900-106	SHEET NO. 1 OF 2		
	ANGULAR ±1/2°		THIS DRAWING CONTAINS INFORMATION THAT IS PROPRIETARY TO MOLEX INCORPORATED AND SHOULD NOT BE USED WITHOUT WRITTEN PERMISSION					
DRAFT WHERE APPLICABLE MUST REMAIN WITHIN DIMENSIONS								

NOTES:
 1. ADHERENCE TO THE HEADER APPLICATION DETAILS IS IMPERATIVE TO ENSURE PROPER SHROUD SEALING AND CONTACT ALIGNMENT WHEN MATED WITH A MX150 FEMALE CONNECTOR.

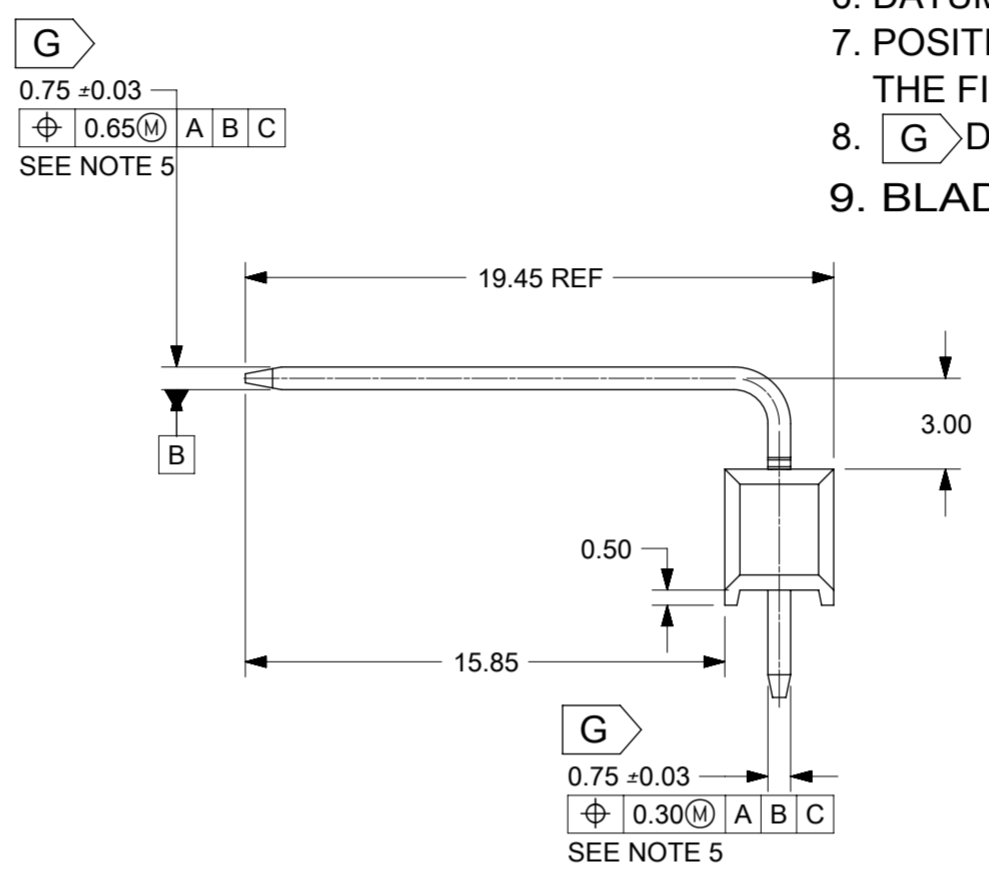
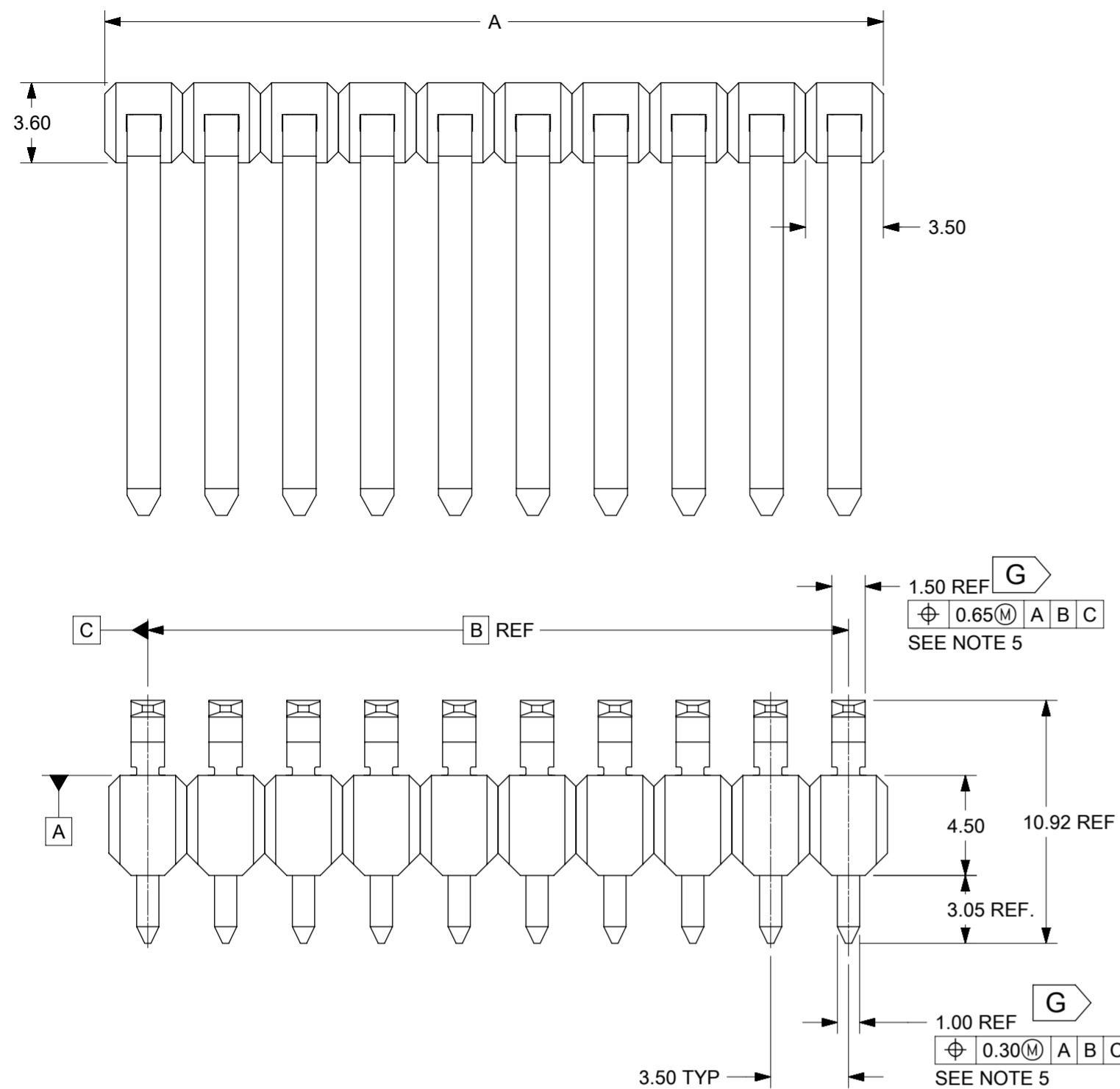


SECTION X-X

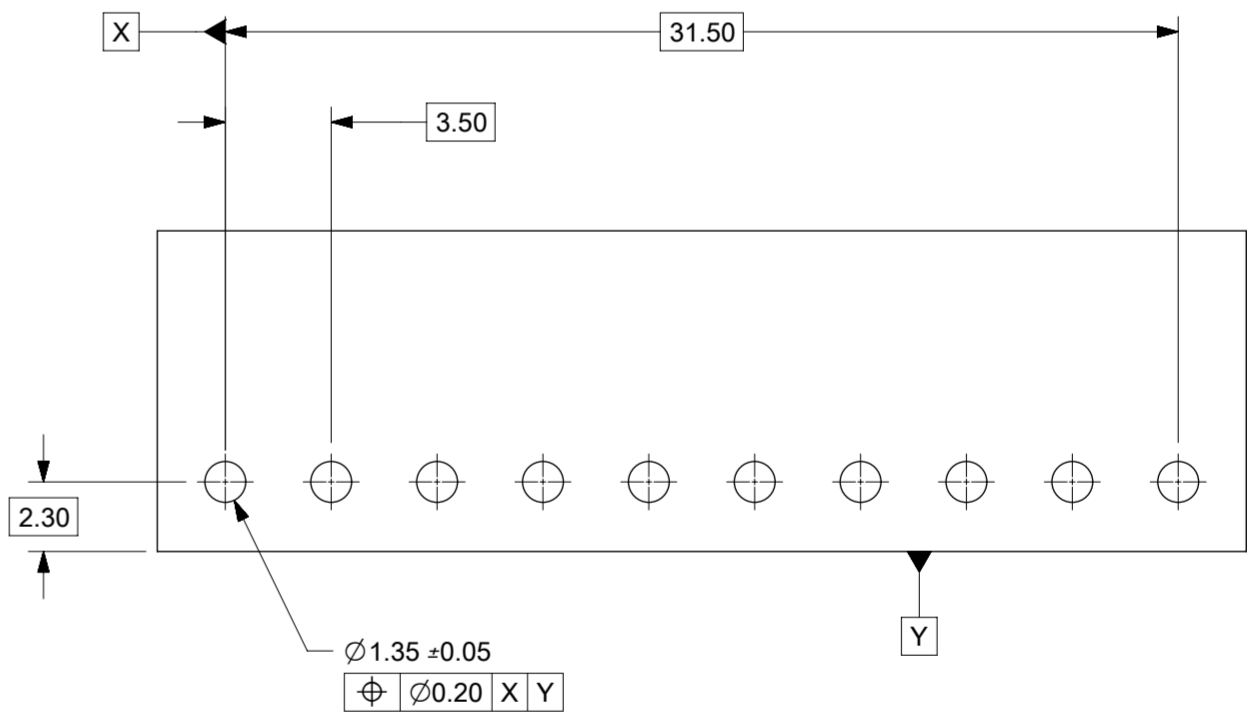


HEADER APPLICATION DETAILS

SEE SHT 1 IEC NO: UCP2011-3372 DRAWN: DROSCA 2010/10/12 CHECKED: JCOMERCI 2011/06/17 APPR: JCOMERCI 2011/06/17	QUALITY SYMBOLS	GENERAL TOLERANCES (UNLESS SPECIFIED)	DIMENSION STYLE	SCALE	DESIGN UNITS	THIRD ANGLE PROJECTION	
	▽=0 ▽=0	4 PLACES ± 0.13 3 PLACES ± 0.13 2 PLACES ± 0.13 1 PLACE ± 0.25 ANGULAR ± 1/2°	MM ONLY	4:1	METRIC	APPLICATION SPEC 1X6 MX150 R/A HEADER SHROUD DETAILS	
	DRAFT WHERE APPLICABLE MUST REMAIN WITHIN DIMENSIONS	DRAFT WHERE APPLICABLE MUST REMAIN WITHIN DIMENSIONS	DRAWN BY: DROSCA CHECKED BY: JCOMERCI APPROVED BY: JCOMERCI	DATE: 2010/10/12 DATE: 2011/06/17 DATE: 2011/06/17	MATERIAL NO. SIZE D	DOCUMENT NO. MOLEX INCORPORATED	SHEET NO. 2 OF 2
	SEE SHEET 1 AS-75900-106 THIS DRAWING CONTAINS INFORMATION THAT IS PROPRIETARY TO MOLEX INCORPORATED AND SHOULD NOT BE USED WITHOUT WRITTEN PERMISSION						



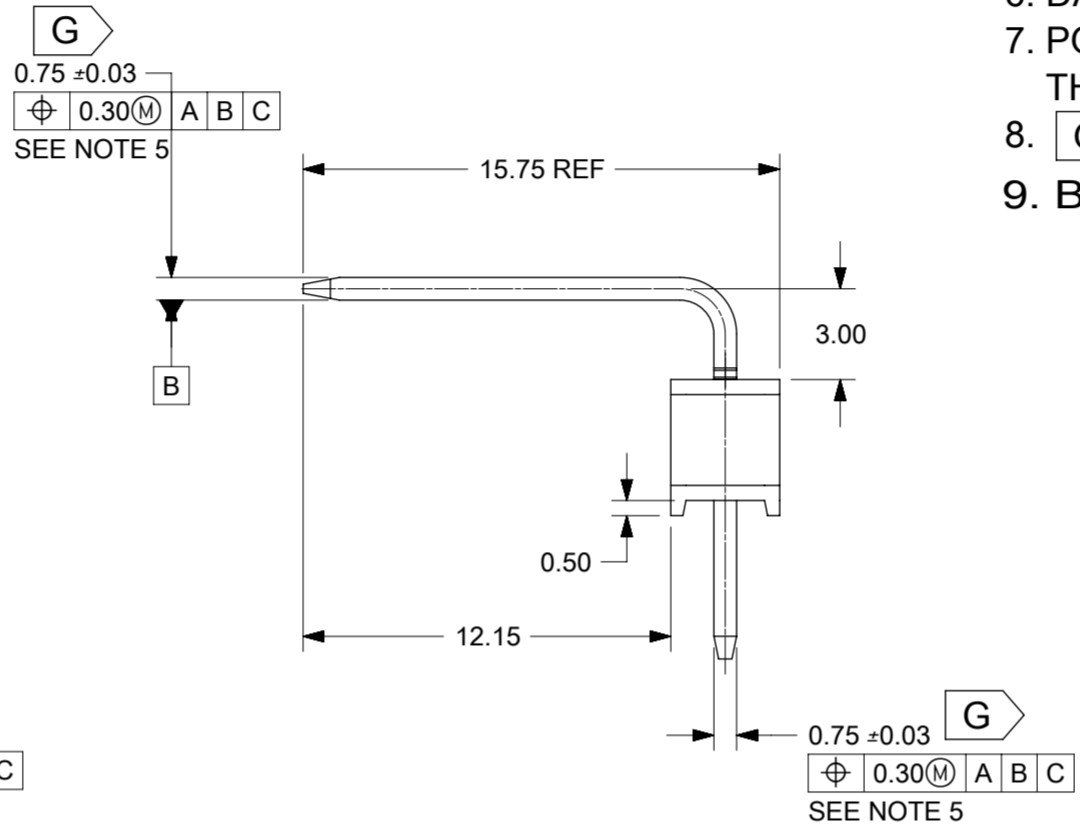
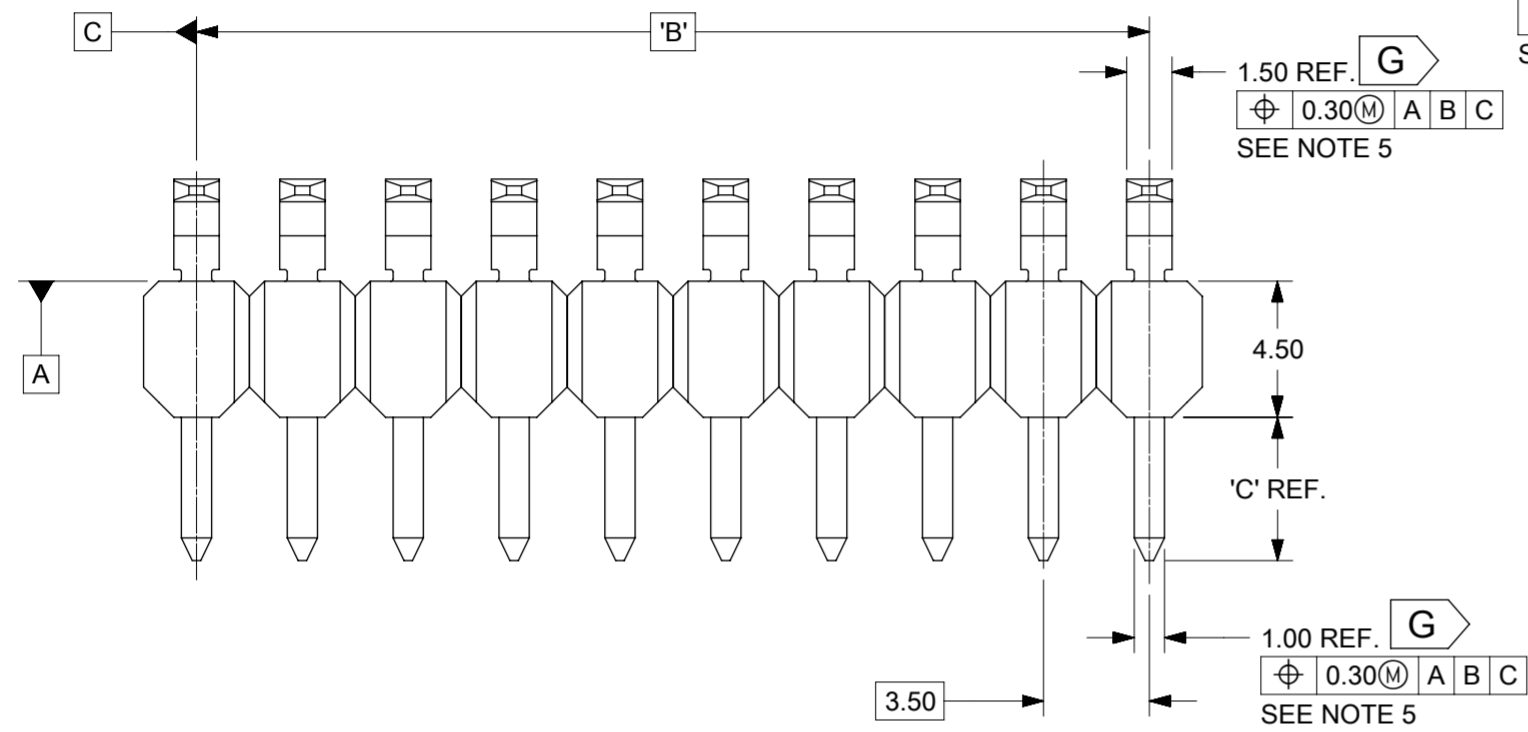
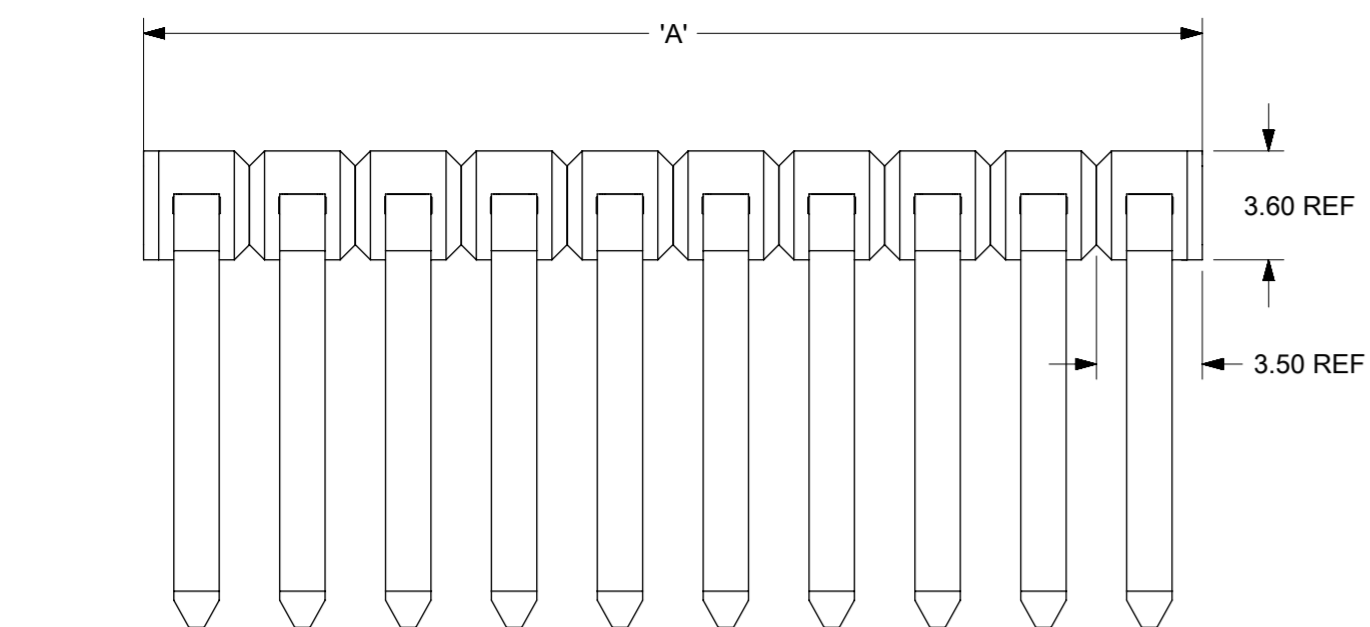
- NOTES:
1. TERMINAL MAT'L: ALLOY C26000, CARTRIDGE BRASS
 2. WAFER MAT'L: 30% GLASS FILLED LCP, 94V-0, COLOR BLACK.
 3. TERMINAL PLATING:
 - OPTION 4 - 1.5µm MIN MATTE TIN OVERALL OVER 1.25µm NICKEL OVERALL
 - OPTION 1 - 2.5µm MIN MATTE TIN OVERALL OVER 1.25µm NICKEL OVERALL
 - OPTION 2 - 1.25µm NICKEL OVERALL 2.5µm MIN SELECT MATTE TIN PC TAIL AREA 0.05-0.25µm SELECT GOLD CONTACT AREA
 - OPTION 3 - 1.25µm NICKEL OVERALL 2.5µm MIN SELECT MATTE TIN PC TAIL AREA 0.75µm SELECT GOLD CONTACT AREA
 4. HEADER ASSEMBLIES ARE TUBE PACKAGED PER PK-36518-352.
 5. ALL THE POSITIONAL TOLERANCES SHOULD BE MEASURED AT TIP OF THE TERMINALS.
 6. DATUM SHOULD BE CONSIDERED FROM THE EDGES OF THE HOUSING.
 7. POSITION TOLERANCES OF THE PIN AT MATING SIDE SHOULD BE MAINTAINED AT 0.3 MM IN THE FINAL MODULE BY CUSTOMER.
 8. [G] DENOTES DIMENSIONS THAT CAN BE QUALIFIED WITH A GAUGE.
 9. BLADE GEOMETRY DOES NOT CONFORM TO USCAR SPECIFICATIONS.



RECOMMENDED PCB LAYOUT

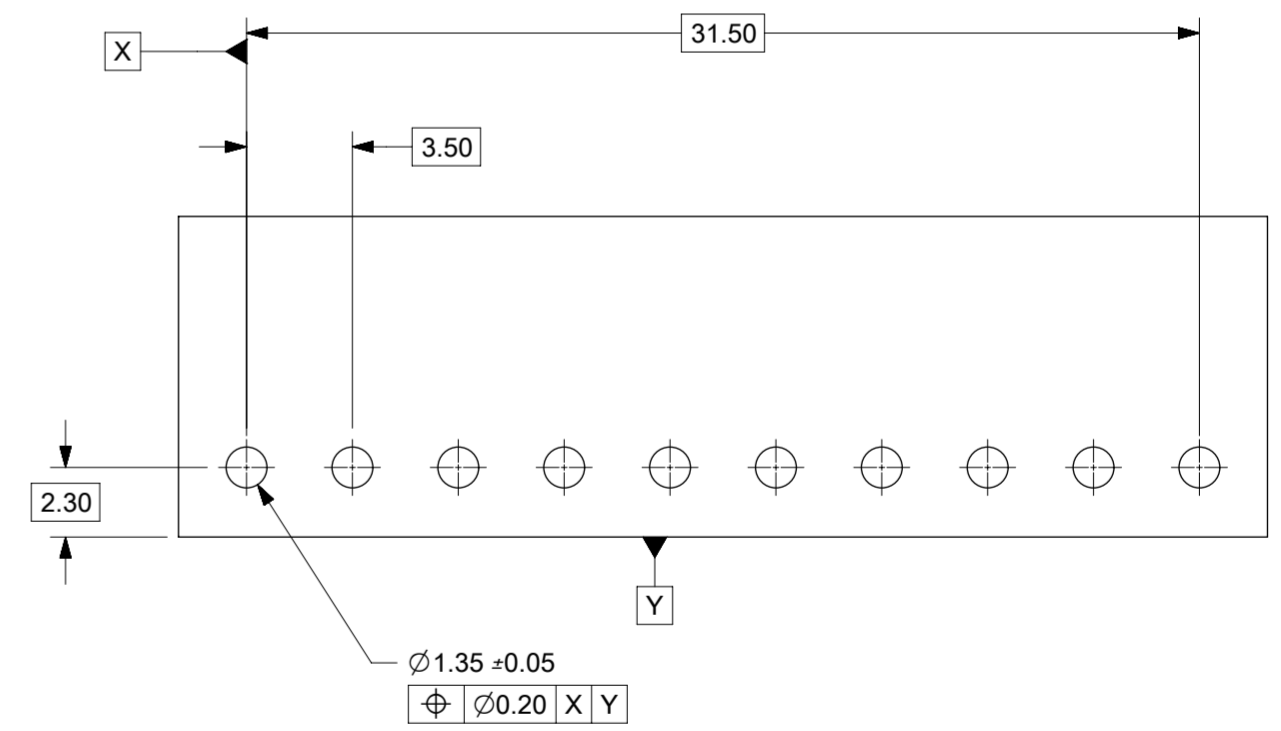
1 x 2	1	75900-3121	7.0	3.50 REF
	2	75900-3221		
	3	75900-3321		
	4	75900-3421		
1 x 3	1	75900-3131	10.5	7.00
	2	75900-3231		
	3	75900-3331		
	4	75900-3431		
1 x 4	1	75900-3141	14.0	10.50
	2	75900-3241		
	3	75900-3341		
	4	75900-3441		
1 x 6	1	75900-3161	21.0	17.50
	2	75900-3261		
	3	75900-3361		
	4	75900-3461		
1 x 8	1	75900-3181	28.0	24.50
	2	75900-3281		
	3	75900-3381		
	4	75900-3481		
1 x 10	1	75900-3101	35.0	31.50
	2	75900-3201		
	3	75900-3301		
	4	75900-3401		
CKT SIZE	PLATING OPTION	MATERIAL NUMBER	"A" DIM	"B" DIM

THIS DRAWING CONTAINS INFORMATION THAT IS PROPRIETARY TO MOLEX ELECTRONIC TECHNOLOGIES, LLC AND SHOULD NOT BE USED WITHOUT WRITTEN PERMISSION									
EC NO: 119089 DRWN: RGV CHKD: DPOMPI REV / APPR: DPOMPI	2017/06/12	2018/03/15	2018/03/15	GENERAL TOLERANCES (UNLESS SPECIFIED)	DIMENSION UNITS	SCALE			
				mm	4:1				
	ANGULAR TOL ± 0.5 °				DRWN BY	DATE	MX150 RIGHT ANGLE SINGLE ROW UNSHROUDED HEADER ASSY		
	4 PLACES ±		DROSCA		2011/08/31				
3 PLACES ±		CHK'D BY		DATE					
2 PLACES ± 0.13		JCOMERCI		0009/01/11					
1 PLACE ± 0.25		APPR BY		DATE		PRODUCT CUSTOMER DRAWING			
0 PLACES ±		JCOMERCI		2011/11/21		SERIES	MATERIAL NUMBER	CUSTOMER	
DRAFT WHERE APPLICABLE MUST REMAIN WITHIN DIMENSIONS				DRAWING SIZE	THIRD ANGLE PROJECTION	75900	SEE CHART	GENERAL MARKET	
C1	REV	APP	DATE	A2		DOCUMENT NUMBER	DOC TYPE	DOC PART	SHEET NUMBER
						SD-75900-0001	PSD	001	1 OF 1



NOTES:

1. TERMINAL MAT'L: ALLOY C26000, CARTRIDGE BRASS
2. WAFER MAT'L: 30% GLASS FILLED LCP, 94V-0, COLOR BLACK.
3. TERMINAL PLATING:
 - OPTION 4 - 1.5µm MIN MATTE TIN OVERALL OVER 1.25µm NICKEL OVERALL
 - OPTION 1 - 2.5µm MIN MATTE TIN OVERALL OVER 1.25µm NICKEL OVERALL
 - OPTION 2 - 1.25µm NICKEL OVERALL 2.5µm MIN SELECT MATTE TIN PC TAIL AREA 0.05-0.25µm SELECT GOLD CONTACT AREA
 - OPTION 3 - 1.25µm NICKEL OVERALL 2.5µm MIN SELECT MATTE TIN PC TAIL AREA 0.75µm SELECT GOLD CONTACT AREA
4. HEADER ASSEMBLIES ARE TUBE PACKAGED PER PK-36518-352.
5. ALL THE POSITIONAL TOLERANCES SHOULD BE MEASURED AT TIP OF THE TERMINALS.
6. DATUM SHOULD BE CONSIDERED FROM THE EDGES OF THE HOUSING.
7. POSITION TOLERANCES OF THE PIN AT MATING SIDE SHOULD BE MAINTAINED AT 0.3 MM IN THE FINAL MODULE BY CUSTOMER.
8. **G** DENOTES DIMENSIONS THAT CAN BE QUALIFIED WITH A GAUGE.
9. BLADE GEOMETRY DOES NOT CONFORM TO USCAR SPECIFICATIONS.



1 x 2	1	75900-0121	7.0	3.50 REF	3.05	75900-0122	7.0	3.50 REF	4.75
	2	75900-0221				75900-0222			
	3	75900-0321				75900-0322			
	4	75900-0421				75900-0422			
1 x 3	1	75900-0131	10.5	7.00	3.05	75900-0132	10.5	7.00	4.75
	2	75900-0231				75900-0232			
	3	75900-0331				75900-0332			
	4	75900-0431				75900-0432			
1 x 4	1	75900-0141	14.0	10.50	3.05	75900-0142	14.0	10.50	4.75
	2	75900-0241				75900-0242			
	3	75900-0341				75900-0342			
	4	75900-0441				75900-0442			
1 x 6	1	75900-0161	21.0	17.50	3.05	75900-0162	21.0	17.50	4.75
	2	75900-0261				75900-0262			
	3	75900-0361				75900-0362			
	4	75900-0461				75900-0462			
1 x 8	1	75900-0181	28.0	24.50	3.05	75900-0182	28.0	24.50	4.75
	2	75900-0281				75900-0282			
	3	75900-0381				75900-0382			
	4	75900-0481				75900-0482			
1 x 10	1	75900-0101	35.0	31.50	3.05	75900-0102	35.0	31.50	4.75
	2	75900-0201				75900-0202			
	3	75900-0301				75900-0302			
	4	75900-0401				75900-0402			
CKT SIZE	PLATING OPTION	MATERIAL NUMBER	"A" DIM	"B" DIM	"C" DIM	MATERIAL NUMBER	"A" DIM	"B" DIM	"C" DIM

QUALITY SYMBOLS	THIS DRAWING CONTAINS INFORMATION THAT IS PROPRIETARY TO MOLEX ELECTRONIC TECHNOLOGIES, LLC AND SHOULD NOT BE USED WITHOUT WRITTEN PERMISSION									
▽ = 0	EC NO: 119089 DRWN: RGV CHKD: DPOMPI APPR: DPOMPI REV: C3	2018/02/15 2018/03/15 2018/03/15	GENERAL TOLERANCES (UNLESS SPECIFIED)	DIMENSION UNITS	SCALE					
▽ = 0			ANGULAR TOL ± 0.5 °	mm	1:1					
▽ = 0			4 PLACES ±	DRWN BY	DATE					
▽ = 0			3 PLACES ±	DROSCA	2010/10/12					
▽ = 0			2 PLACES ± 0.13	CHK'D BY	DATE					
▽ = 0			1 PLACE ± 0.25	JCOMERCI	2011/05/02					
▽ = 0	0 PLACES ±	APPR BY	DATE	PRODUCT CUSTOMER DRAWING						
▽ = 0	DRAFT WHERE APPLICABLE MUST REMAIN WITHIN DIMENSIONS			DRAWING SIZE	THIRD ANGLE PROJECTION	SERIES	MATERIAL NUMBER	CUSTOMER		
▽ = 0				A2		75900	SEE CHART	GENERAL MARKET		
						DOCUMENT NUMBER	DOC TYPE	DOC PART	SHEET NUMBER	
						SD-75900-002	PSD	001	1 OF 1	