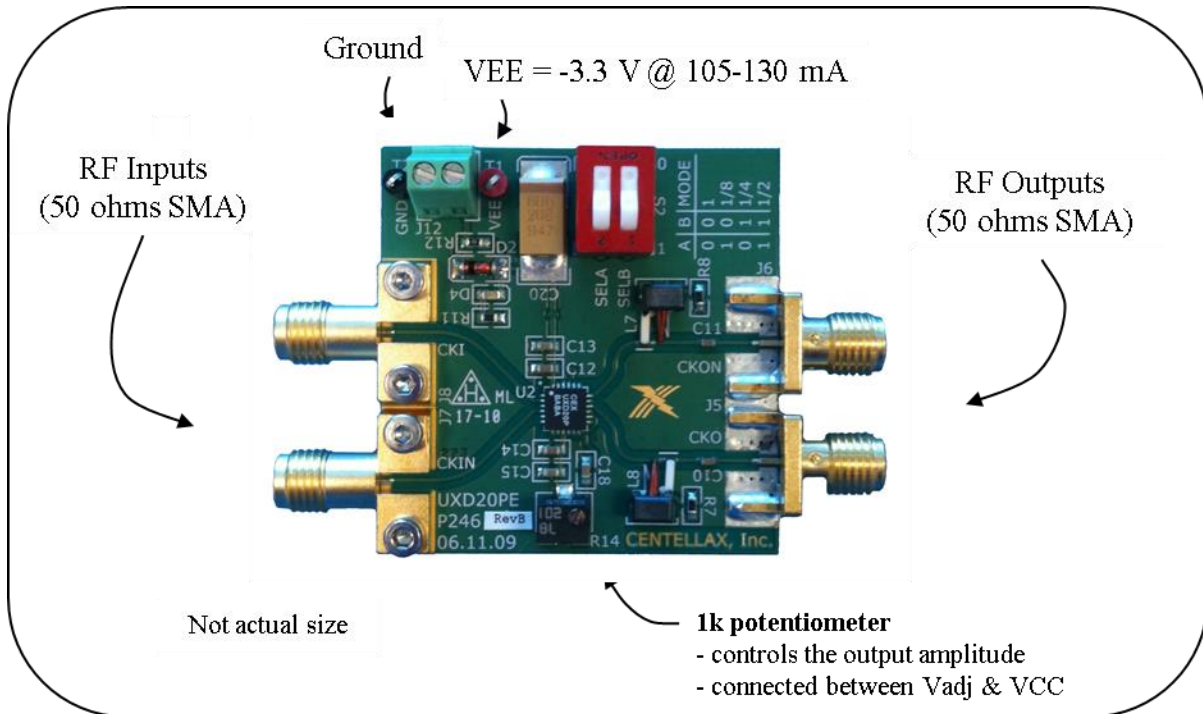


UXD20PE Eval Board

UXD20PE is an evaluation board for the UXD20P DC-20 GHz Programmable 1,2,4,8 Binary Prescaler.

Note: Supply voltage must be negative.



Application Notes

1. If RF inputs/outputs are used in single-ended configuration, terminate unused inputs/outputs with 50 ohm loads.
2. Use on-board switches to control the divide ratios

Table 1 · Divider Mode Select Logic

Switch Settings		Division Ratio Output
A	B	
0	0	1
1	0	1/8
0	1	1/4
1	1	1/2

- 3 Refer to UXD20P datasheet for performance specifications.
- 4 Email mmicsales@microsemi.com for assistance.



Microsemi Corporate Headquarters
One Enterprise, Aliso Viejo CA 92656 USA
Within the USA: +1 (800) 713-4113
Outside the USA: +1 (949) 380-6100
Sales: +1 (949) 380-6136
Fax: +1 (949) 215-4996
E-mail: sales.support@microsemi.com

Microsemi Corporation (Nasdaq: MSCC) offers a comprehensive portfolio of semiconductor and system solutions for communications, defense and security, aerospace, and industrial markets. Products include high-performance and radiation-hardened analog mixed-signal integrated circuits, FPGAs, SoCs, and ASICs; power management products; timing and synchronization devices and precise time solutions, setting the world's standard for time; voice processing devices; RF solutions; discrete components; security technologies and scalable anti-tamper products; Power-over-Ethernet ICs and midspans; as well as custom design capabilities and services. Microsemi is headquartered in Aliso Viejo, Calif. and has approximately 3,400 employees globally. Learn more at www.microsemi.com.

© 2014 Microsemi Corporation. All rights reserved. Microsemi and the Microsemi logo are trademarks of Microsemi Corporation. All other trademarks and service marks are the property of their respective owners.