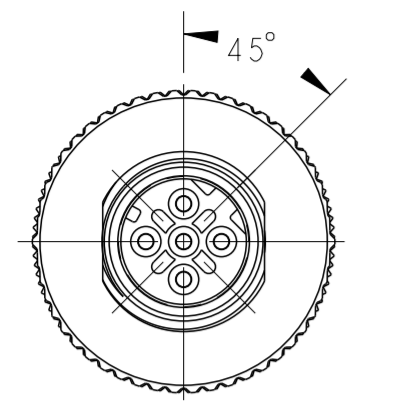
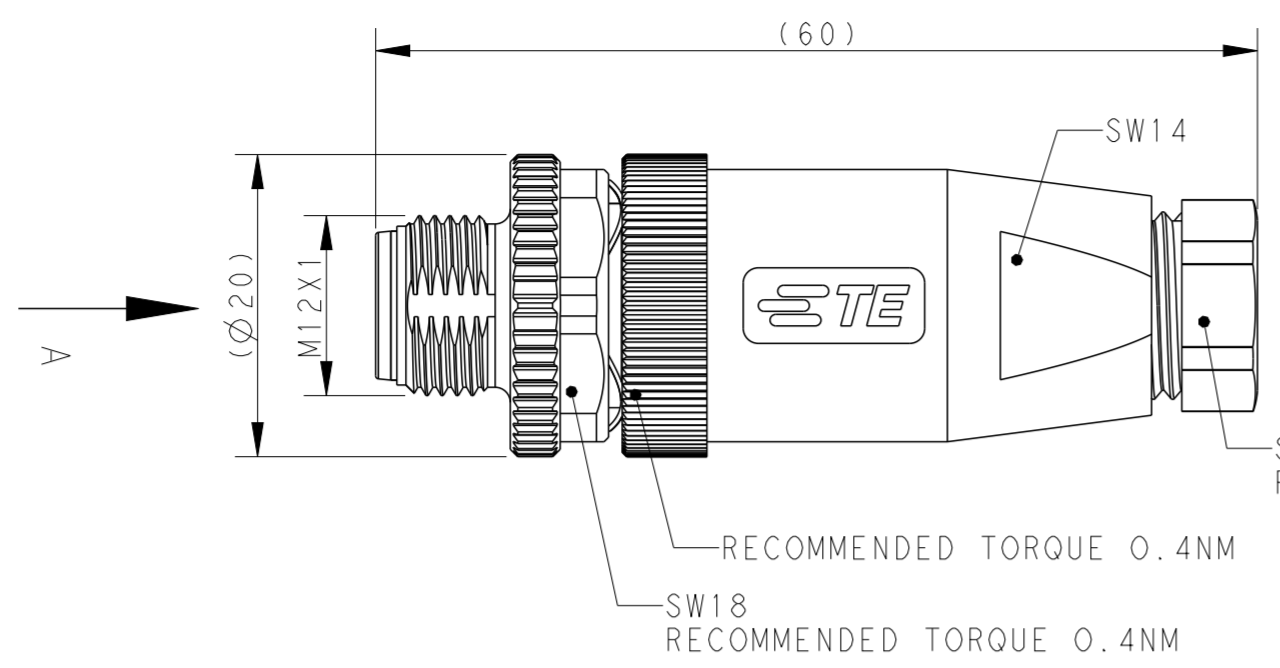


THIS DRAWING IS UNPUBLISHED. RELEASED FOR PUBLICATION 20. COPYRIGHT 20 BY - ALL RIGHTS RESERVED.

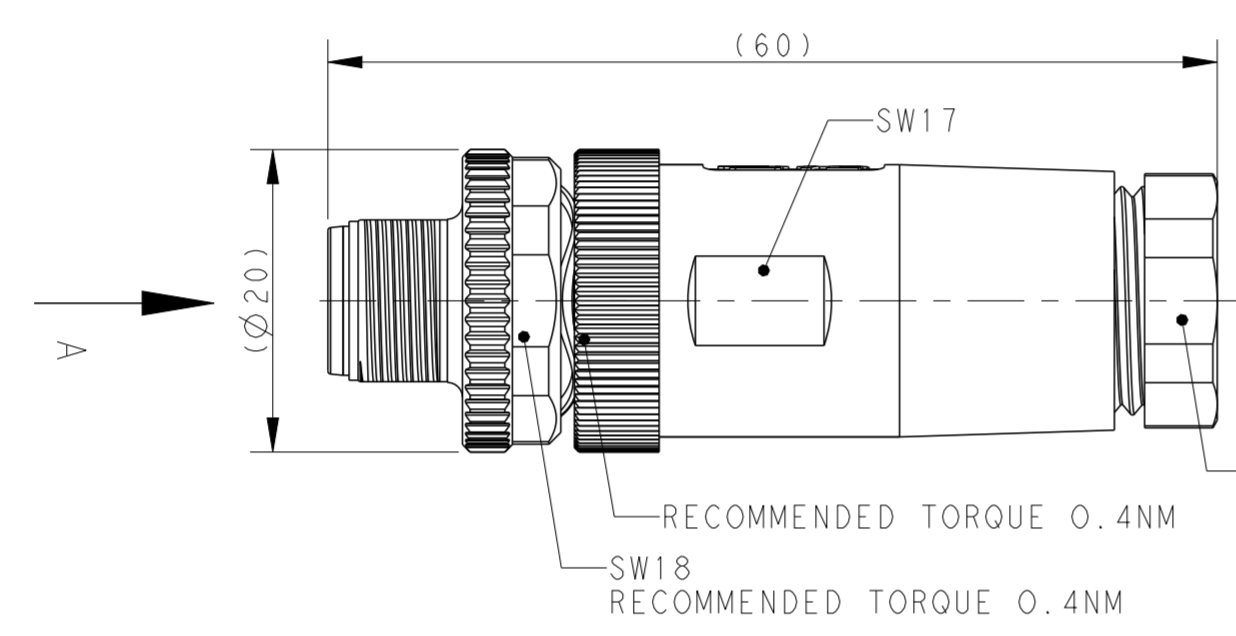
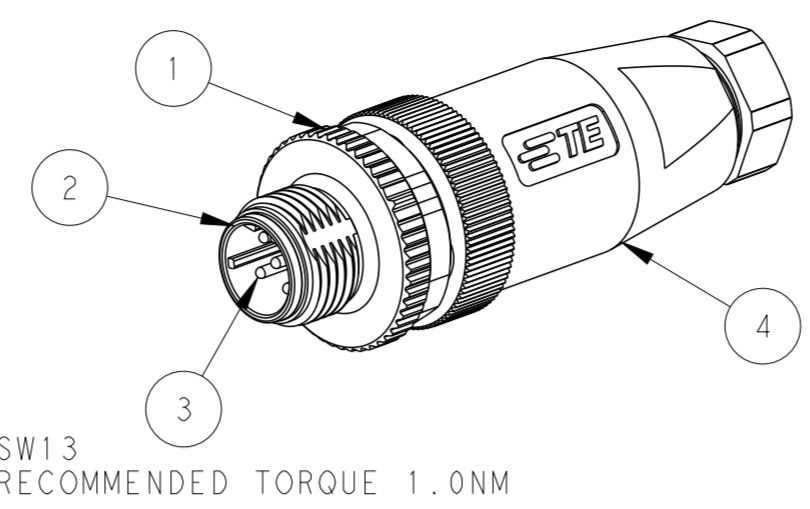
REVISIONS				
P	LTR	DESCRIPTION	DATE	APVD
A1		ECR-15-012625	04AUG2015	NP XX
A2		ECR-15-018715 ADD 114 SPEC.	29DEC2015	NP XX
A3		ECR-20-012708 ADD PG9 MODEL	16SEP2020	S.C C.W
B		ECR-22-132011	24AUG2022	BP CW



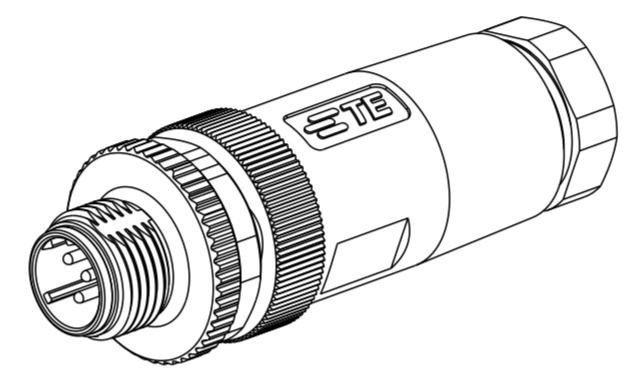
VIEW A
DETAIL SEE TABLE 1



PG7



PG9



TECHNICAL DATA	T411150X02X-000	T411150X03X-000	T411150X04X-000	T411150X05X-000
	RATED VOLTAGE	250V	250V	250V
RATED CURRENT	4A	4A	4A	4A
POLLUTION DEGREE	3	3	3	3
OVERVOLTAGE CATEGORY	II	II	II	II
MATERIAL GROUP	II	II	II	II
CONTACT RESISTANCE	≤10mΩ	≤10mΩ	≤10mΩ	≤10mΩ
INSULATION RESISTANCE	>100MΩ	>100MΩ	>100MΩ	>100MΩ
DEGREE OF PROTECTION	IP67	IP67	IP67	IP67
OPERATION TEMPERATURE	-40~85°C	-40~85°C	-40~85°C	-40~85°C

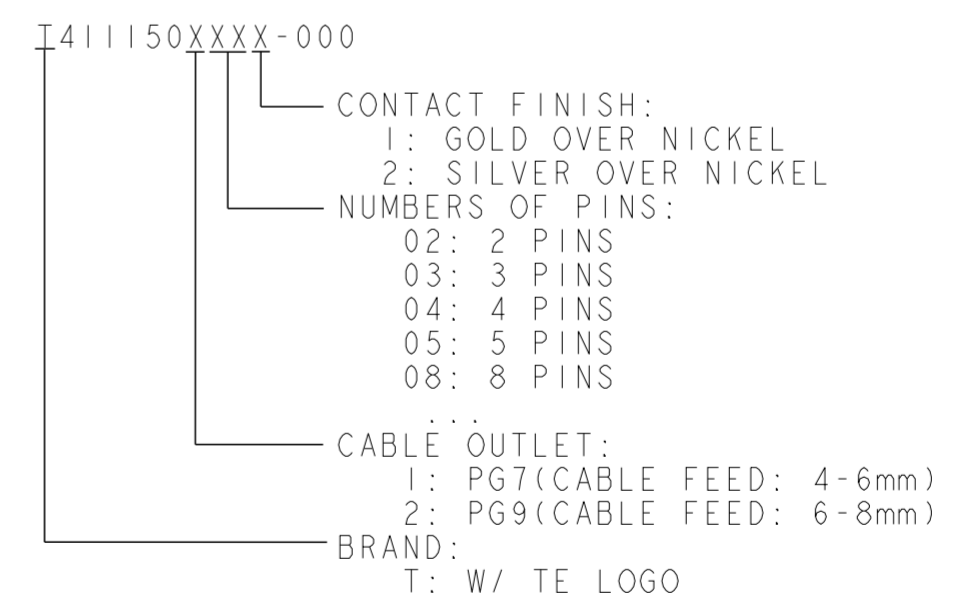
NOTE:

- MATERIAL:
 - ITEM NO.1: NUT - ZINC DIE-CAST, NICKEL PLATED
 - ITEM NO.2: HOUSING - PA
 - ITEM NO.3: CONTACT - BRONZE
 - ITEM NO.4: HOUSING BODY: -PBT+GF
- CONTACT FINISH: GOLD OVER NICKEL OR SILVER OVER NICKEL
- CABLE WIRES:
 - 24AWG/0.25mm²...18AWG/0.75mm² (WITHOUT FERRULE)
 - 26AWG/0.14mm²...20AWG/0.50mm² (WITH FERRULE)
- ALL DIMENSIONS ARE FOR NOMINAL REFERENCE ONLY UNLESS OTHERWISE STATED
- PACKAGING: 1 PIECE IN A BAG
- PN INFORMATION

TABLE 1 PIN ARRANGEMENT D-CODE

T411150X02X-000	T411150X03X-000	T411150X04X-000
T411150X05X-000		

T4111502051-000	RPC-M12D-MS-5CON-PG9-MU
T4111501051-000	RPC-M12D-MS-5CON-PG7-MU
T4111502052-000	RPC-M12D-MS-5CON-PG9-M
T4111501052-000	RPC-M12D-MS-5CON-PG7-M
T4111502041-000	RPC-M12D-MS-4CON-PG9-MU
T4111501041-000	RPC-M12D-MS-4CON-PG7-MU
T4111502042-000	RPC-M12D-MS-4CON-PG9-M
T4111501042-000	RPC-M12D-MS-4CON-PG7-M
T4111502031-000	RPC-M12D-MS-3CON-PG9-MU
T4111501031-000	RPC-M12D-MS-3CON-PG7-MU
T4111502032-000	RPC-M12D-MS-3CON-PG9-M
T4111501032-000	RPC-M12D-MS-3CON-PG7-M
T4111502021-000	RPC-M12D-MS-2CON-PG9-MU
T4111501021-000	RPC-M12D-MS-2CON-PG7-MU
T4111502022-000	RPC-M12D-MS-2CON-PG9-M
T4111501022-000	RPC-M12D-MS-2CON-PG7-M
TE PN	TYPE



THIS DRAWING IS A CONTROLLED DOCUMENT.		DWN HAO WANG 08DEC2014		TE Connectivity	
DIMENSIONS: mm		CHK KOBBY ZHAO 08DEC2014		NAME M12 MALE, D CODE, STRAIGHT UNSHIELDED CONNECTOR SCREW TERMINAL	
TOLERANCES UNLESS OTHERWISE SPECIFIED:		APVD XIANG XU 08DEC2014	PRODUCT SPEC 108-106140		
0 PLC ±0.2		APPLICATION SPEC 114-137144		SIZE A2	RESTRICTED TO
1 PLC ±0.2		WEIGHT -		CAGE CODE -	DRAWING NO. C-T411150XXXX000
2 PLC ±0.2		MATERIAL -		SCALE 1:1	SHEET 1 OF 1
3 PLC ±		FINISH -		REV B	
4 PLC ±		Customer Drawing			