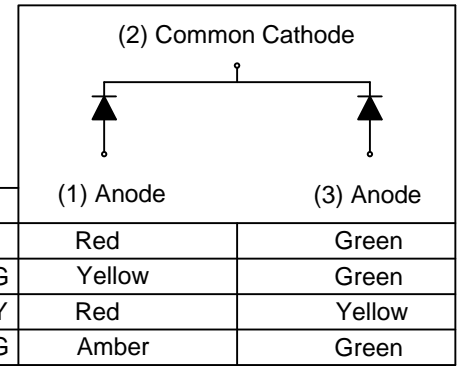
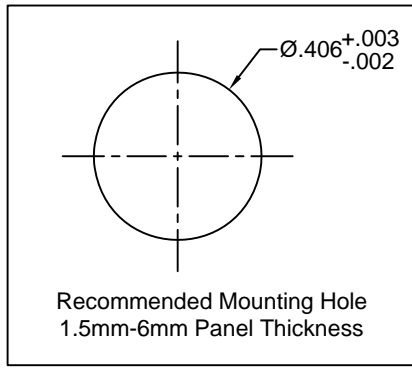
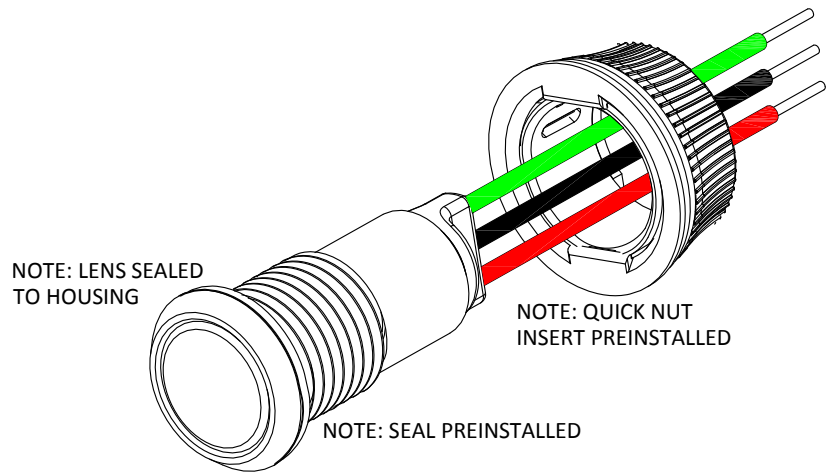
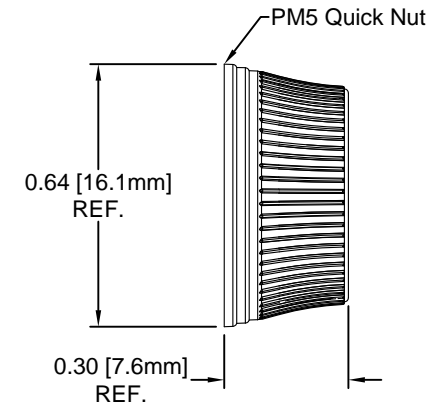
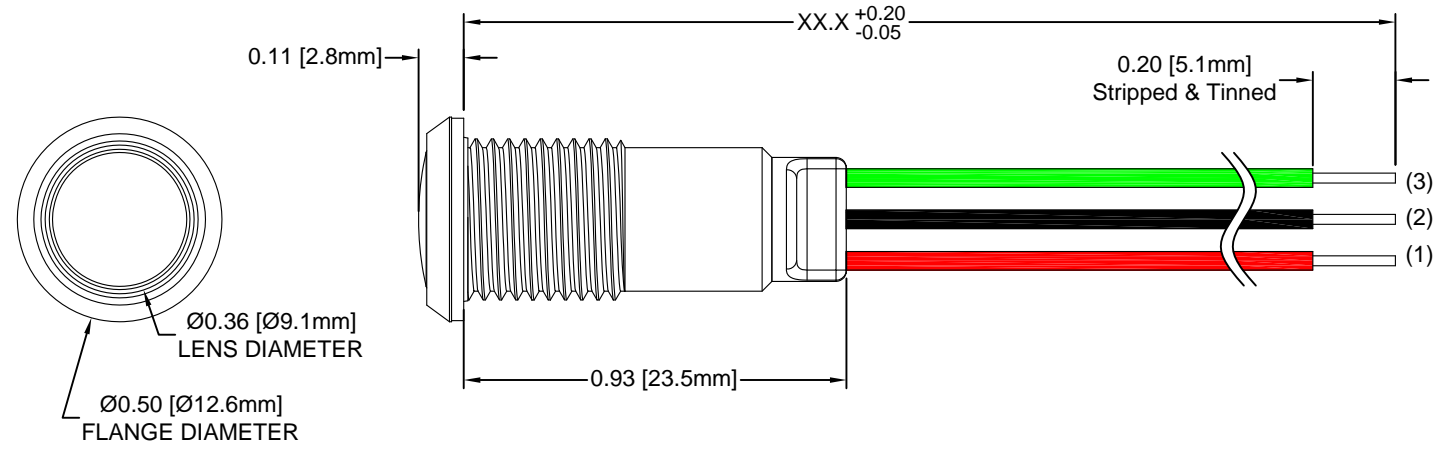


| REV. | DESCRIPTION | DATE | APPROVED |
|------|--------------------------------|----------|----------|
| A | Engineering Release | 04/29/14 | J. C. |
| B | Added 5BC-3-A/G Spec on Page 2 | 08/22/16 | J. C. |
| | | | |
| | | | |



EXAMPLE:
PM53-KNBCW6.5
 └── Wire Length in 0.5" Increments
 └── LED Colors
 └── Series

NOTES:
 1. ROHS COMPLIANT
 2. MOUNTING HARDWARE SHIPPED NON-ASSEMBLED


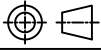
| | | | | |
|---|--------------------------|---|------------------------------|--|
| STANDARD TOLERANCE (UNLESS OTHERWISE SPECIFIED) | | 4 THOMAS, IRVINE, CA. 92618 TEL: (949) 951-8808 FAX: (949) 951-3974 | | |
| DECIMALS | ANGULAR | | | |
| .X ± .1 | X° ± 1° | TITLE: Quick-Mount Panel Mount Indicator w/ Wires, 3-Lead Bi-Color | REVISION: B | |
| .XX ± .02 | | | | PART NO: PM53-KNXXWXX.X |
| .XXX ± .010 | | | | CAGE CODE : 32559 SHEET # 1 OF 2 |
| DESIGNED: M. Doan | DATE: 04/21/14 | CAD GENERATED DOCUMENT. DO NOT MEASURE DRAWING. | | |
| CHECKED: B. Oliver | DATE: 04/21/14 | | | |

| | | | |
|------|--------------|------|----------|
| REV. | DESCRIPTION | DATE | APPROVED |
| | SEE SHEET #1 | | |

| Assembly Part Number | LED P/N | Peak Wave Length λ_p (nm) | Emitted Color | Electro-Optical Data @ 20mA | | Viewing Angle |
|----------------------|-----------|-----------------------------------|---------------|-----------------------------|-------------------|---------------|
| | | | | Typ Vf (VDC) | Assembly Iv (mcd) | |
| | | | | TYP | TYP | |
| PM53-KNBCWXX.X | 5BC-3 | 625 | RED | 2.0 | 12 | 120 |
| | | 568 | GREEN | 2.1 | 12 | |
| PM53-KNYGWXX.X | 5BC-3-Y/G | 590 | YELLOW | 2.0 | 11 | 120 |
| | | 568 | GREEN | 2.1 | 12 | |
| PM53-KNRYWXX.X | 5BC-3-R/Y | 625 | RED | 2.0 | 12 | 120 |
| | | 590 | YELLOW | 2.0 | 11 | |
| PM53-KNAGWXX.X | 5BC-3-A/G | 605 | AMBER | 2.0 | 11 | 120 |
| | | 568 | GREEN | 2.1 | 11 | |

ABSOLUTE MAXIMUM RATINGS (Ta = 25°C)

MAXIMUM REVERSE VOLTAGE _____ 5V
 MAXIMUM POWER DISSIPATION _____ 150 mW
 OPERATING TEMPERATURE RANGE _____ -30°C ~ 85°C
 STORAGE TEMPERATURE _____ -40°C ~ 85°C

| | | | | |
|---|---------|---|--------------------------|-----------------------------------|
| STANDARD TOLERANCE (UNLESS OTHERWISE SPECIFIED) | |  4 THOMAS, IRVINE, CA. 92618 TEL: (949) 951-8808 FAX: (949) 951-3974 | | |
| DECIMALS | ANGULAR | | | |
|  | | TITLE: Quick-Mount Panel Mount Indicator w/ Wires, 3-Lead Bi-Color | | |
| | | DESIGNED: M. Doan | DATE: 04/21/14 | PART NO: PM53-KNXXWXX.X |
| CHECKED: B. Oliver | | DATE: 04/21/14 | CAGE CODE : 32559 | SHEET # 2 OF 2 |
| CAD GENERATED DOCUMENT. DO NOT MEASURE DRAWING. | | | | |