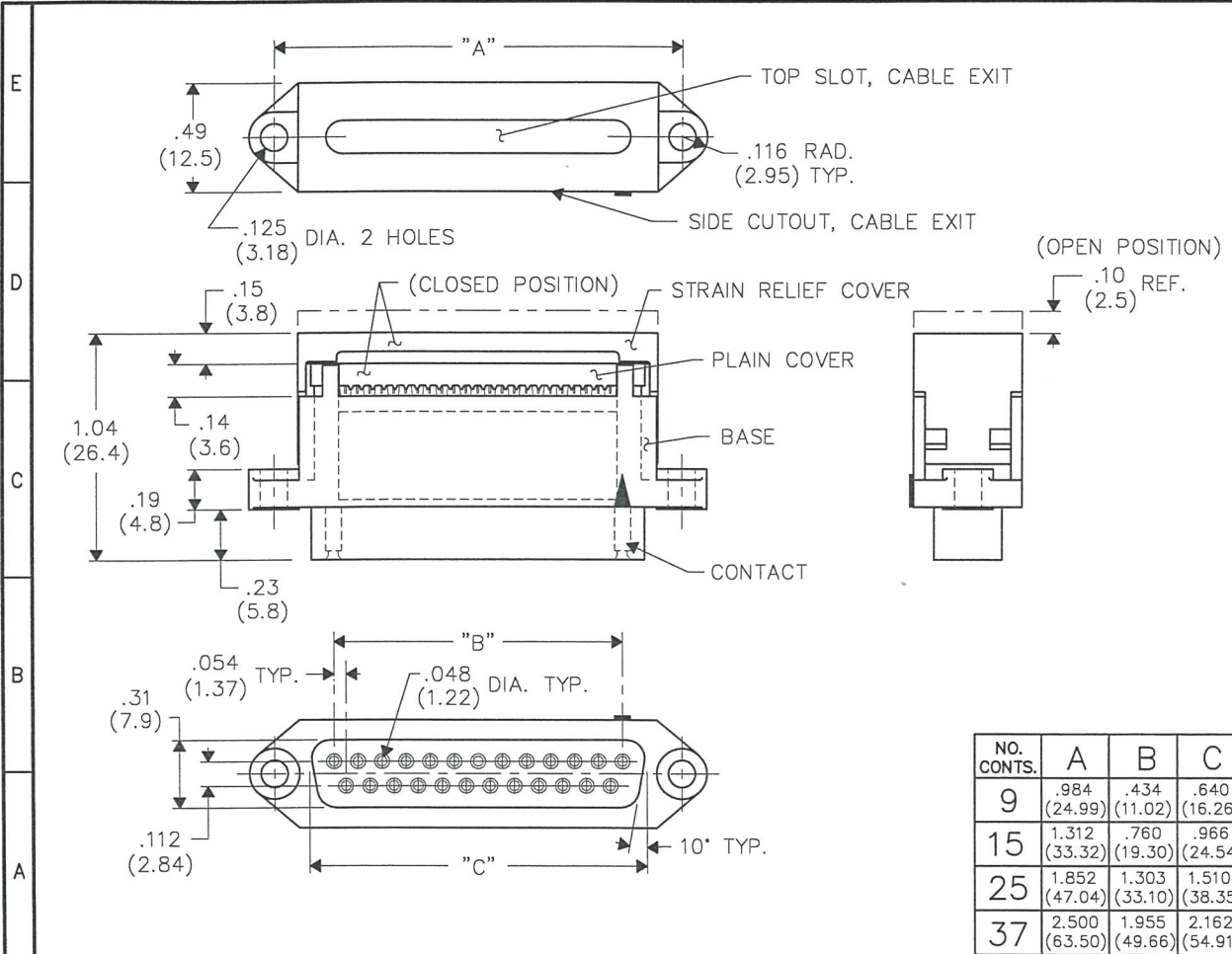


DIMENSIONS IN INCHES (MILLIMETERS)  
DO NOT SCALE DRAWING .....

Dwg. No.

CWR-181-XX-0003



**NOTES:**

1. Dimensions are in inches; dimensions in ( ) are millimeters.
2. Metric equivalents are given for general information only, and are based upon 1.00 inches equals (25.4) millimeters.
3. Unless otherwise specified, tolerances are ±.005 (.13) for three place decimals, and ±.01 (.3) for two place decimals.

**MATERIALS:**

**PLASTIC PARTS** - UL94V-0 thermoplastic (blue, standard) flame retardant.  
**CONTACTS** - Phosphor bronze.  
**CONTACT PLATING**- .000100(min.) Tin - Lead, all over .000050(min.) nickel.

**OPERATING STANDARDS:**

**TEMPERATURE RATING** - 120° C  
**CONTACT RATING** - 1 ampere.  
**DIELECTRIC STRENGTH** - Over 500V.D.C. at sea level.  
**CONDUCTORS ACCEPTED** - 28-30 AWG solid or stranded.  
**INSULATION RESISTANCE** - Greater than  $5 \times 10^9$  ohms.

NO. CONTS.	A	B	C
9	.984 (24.99)	.434 (11.02)	.640 (16.26)
15	1.312 (33.32)	.760 (19.30)	.966 (24.54)
25	1.852 (47.04)	1.303 (33.10)	1.510 (38.35)
37	2.500 (63.50)	1.955 (49.66)	2.162 (54.91)

**CUSTOMER DRAWING**

FORM-B3	REVISIONS	0	RELEASED. DGW 12-04-96 AW 11-24-96	<b>ATTENTION</b> THIS DRAWING AND ITS ATTACHMENTS, IF ANY, ARE PROPRIETARY TO CW INDUSTRIES AND DESCRIBE DESIGNS THAT ARE CONFIDENTIAL AND MUST NOT BE DISCLOSED UNLESS AUTHORIZED, IN WRITING, BY AN OFFICER OF CW INDUSTRIES.....				<b>CW INDUSTRIES</b> Southampton, Pa. 18966 <b>TOLERANCES UNLESS OTHERWISE SPECIFIED</b> 2 Place Decimal ±.010 METRIC 3 Place Decimal ±.005 1 Place Dec. ±.25mm Angles ..... ±1' 2 Place Dec. ±.13mm	Title: <b>PLASTIC "D" CONNECTOR (PLUG) FEMALE CONTACTS</b> Division: <b>CONNECTOR</b> Dwg. No. <b>CWR-181-XX-0003</b>
							Made for: <b>CW IND.</b> Drawn by: <b>DGW 12-04-96</b> Checked by: <b>G. Guld 12-9-96</b> Approval: <b>A. HOSFIELD 12-7-96</b>		

**MASTER**