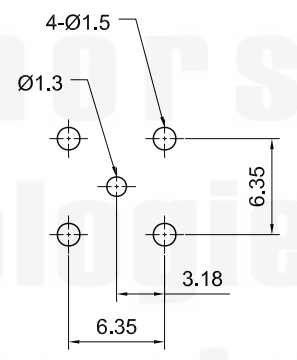
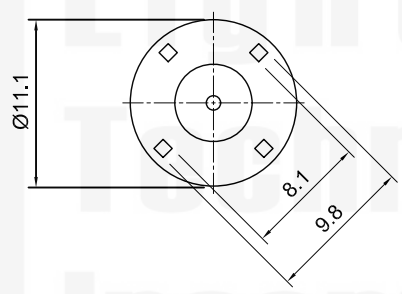
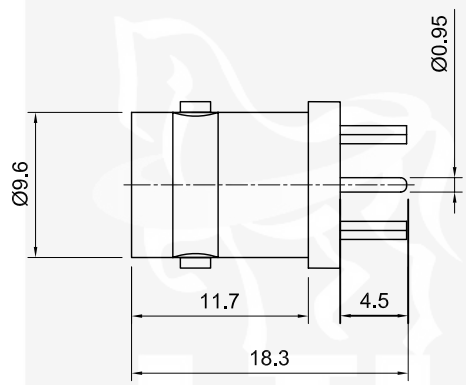



Tolerances 1-20=+/-0.2 20-30=+/-0.3 30-40=+/-0.4 40-50=+/-0.5 50-100=+/-0.75 100-300=+/-1.5 Angles=+/-1 Dimensions are in Millimeters	Revisions	Approved	Date
	Description/Approved/Date	M.H.	10/03/01
		Checked	Date
		M.H.	10/03/01
		Drawn	Date
		T.J.A.	10/03/01
NOTES (plating thickness in micro-inches): 1. Per QQ-B-626 2. Per QQ-S-764 3. Per QQ-C-530 4. Per QQ-B-750 5. Per MIL-P-19468 6. Per ZZ-R-765 7. Per WW-T-799 8. Gold pl. 5 min. over nickel pl. 50 min. over copper strike 9. Nickel pl. 100 min. over copper strike 10. Per QQ-P-35 11. Gold pl. 5 min. over nickel pl. 50 min. over copper strike			



RECOMMENDED PCB LAYOUT

ITEM	MATERIAL	FINISH	Lighthouse Technologies, Inc.		
Connector Body	Brass, Note 1	Nickel, Note 9	 5640 Kearny Mesa Road, Suite N San Diego, California 92111 Part Number: LTI-BSF54ZND	Description	
Center Contact: F	Brass, Note 1	Gold, Note 11		BNC PCB Jack, Short Body (13.8 mm of PCB)	
Insulation	Delrin	None		Nickel plated brass body, Delrin dielectric.	
Ferrule			Scale	Drawing No.	File Name
Gasket			2:1		BSF54ZND
Hex Nut					
Lock Washer					