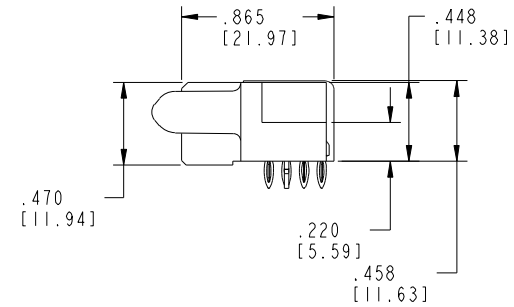
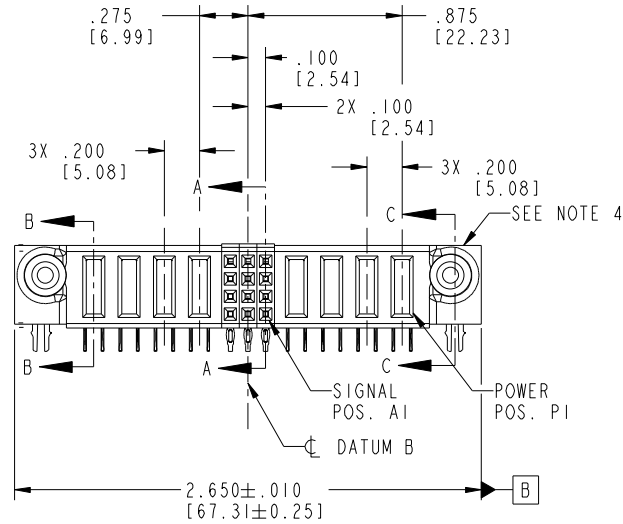
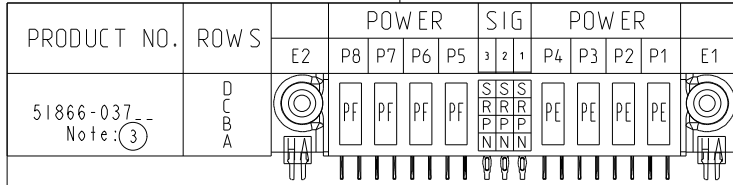


Tous droits strictement reserves. Reproduction ou communication a des tiers interdite sous quelque forme que ce soit sans autorisation ecrite du proprietaire. Propriete de c FCI. Droits de reproduction FCI.



All rights strictly reserved. Reproduction or issue to third parties in any form whatever is not permitted without written authority from the proprietor. Property of FCI. Copyright FCI.



CODE	DIM "M" MATING LENGTH	CONTACT TYPE
PF	.092 [2.34]	POWER
PE	.042 [1.07]	POWER
S	N/A [N/A]	SIGNAL
R	N/A [N/A]	SIGNAL
P	N/A [N/A]	SIGNAL
N	N/A [N/A]	SIGNAL
HA	N/A [N/A]	HOLD-DOWN

mat'l code SEE NOTE 2				tolerances unless otherwise specified		CUSTOMER	
ltr	ecn no.	dr	date	linear	.XX±.01/0.X±0.3	COPY	
A	DG05-0268	SLUO	8/5/05	projection	.XXX±.005/0.XX±0.13	www.fciconnect.com	
B	DG08-0229	SH	08/22/08	angles	.XXX±.0020/0.XXX±0.051	title 4P +12S + 4P R/A PF RECEPTACLE	
				dr	SLUO 8/5/05	product family PwrBlade code 213	
				enr	SLUO 08/05/05	size dwg no 51866-037 sheet 1 of 4	
				chr	VICTOR LIN 8/5/05	scale 1:1	
				appd	JOSEPH HSIA 8/5/05	cage code 22526	
sheet index	revision sheet	B 1	B 2	B 3	B 4		

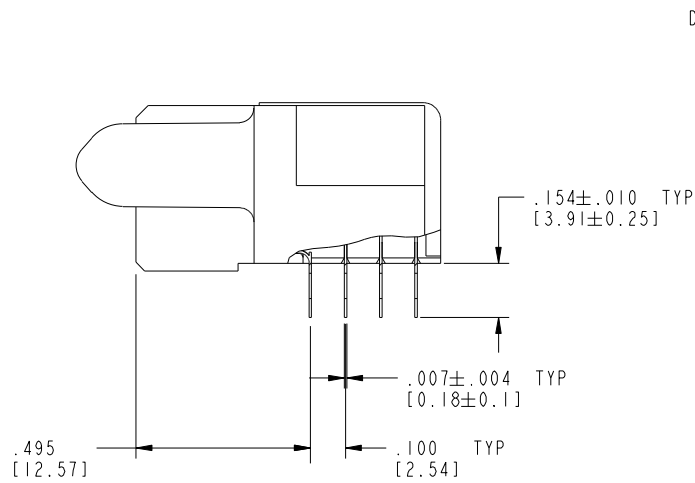
Pro/E

cage code 22526

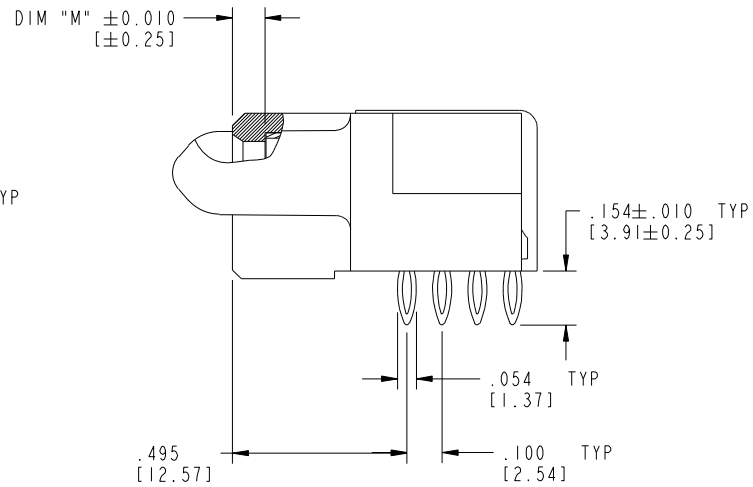
Tous droits strictement réservés. Reproduction ou communication à des tiers interdite sous quelque forme que ce soit sans autorisation écrite du propriétaire. Propriété de c.FCI. Droits de reproduction FCI.

All rights strictly reserved. Reproduction or issue to third parties in any form whatever is not permitted without written authority from the proprietor. Property of FCI. Copyright FCI.

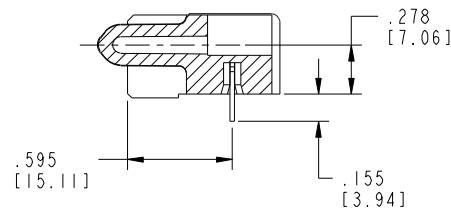
PRODUCT NUMBER  
51866-037--  
Note: (3)



BROKEN-OUT SECTION A-A  
SCALE 2:1



BROKEN-OUT SECTION B-B  
SCALE 2:1



SECTION C-C

mal'1 code		SEE NOTE 2		tolerances unless otherwise specified		CUSTOMER		FCI		www.fciconnect.com	
ltr	ecn no.	dr	date	linear	.XX±.01/0.X±0.3	COPY		projection	title		
B				angles	.XXX±.005/0.XX±0.13 .XXX±.0020/0.XXX±0.051	INCH/MM			4P + 12S + 4P R/A PF RECEPTACLE		
				dr	SLUO 8/5/05	scale		product family	PwrBlade	code	213
				enr	SLUO 08/05/05	1:1		size	dwg no	sheet	2 of 4
				chr	VICTOR LIN 8/5/05			A	51866-037		
				appd	JOSEPH HSIA 8/5/05						
sheet index	revision sheet										

cage code 22526

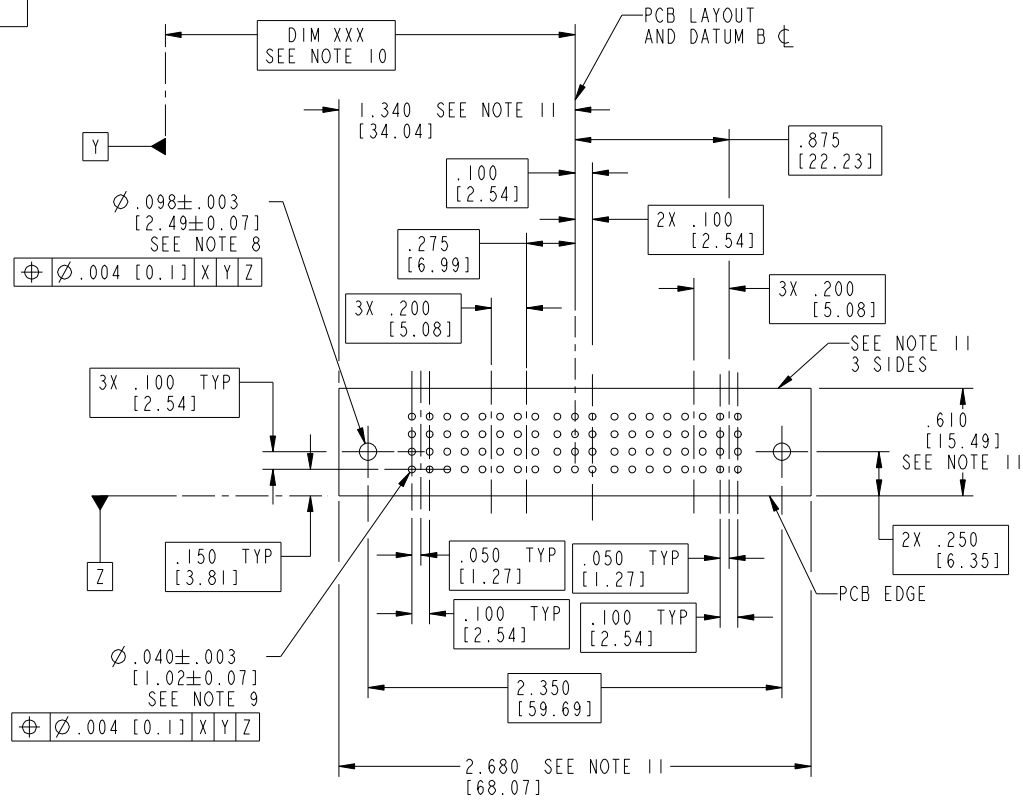
Pro/E

Tous droits strictement réservés. Reproduction ou communication à des tiers interdite sous quelque forme que ce soit sans autorisation écrite du propriétaire. Propriété de c.FCI. Droits de reproduction FCI.



All rights strictly reserved. Reproduction or issue to third parties in any form whatever is not permitted without written authority from the proprietor. Property of FCI. Copyright FCI.

PRODUCT NUMBER  
51866-037--  
Note: (3)



RECOMMENDED PCB LAYOUT

mat'l code				SEE NOTE 2		tolerances unless otherwise specified		CUSTOMER		 www.fciconnect.com	
ltr	ecn no.	dr	date	linear	.XX±.01/0.X±0.3		COPY		 projection	title	
B					.XXX±.005/0.XX±0.13					4P +12S + 4P R/A PF RECEPTACLE	
				angles	.XXX±.0020/0.XXX±0.051		 INCH/MM		product family		
					0°±2°		scale		PwrBlade		
				dr	SLUO	8/5/05	1:1		code		
				enr	SLUO	08/05/05	A		213		
				chr	VICTOR LIN	8/5/05	51866-037		sheet		
				appd	JOSEPH HSIA	8/5/05	3 of 4				
sheet index	revision sheet									B	

Pro/E

cage code 22526

Tous droits strictement réservés. Reproduction ou communication à des tiers interdite sous quelque forme que ce soit sans autorisation écrite du propriétaire. Propriété de c FCI. Droits de reproduction FCI.

A



All rights strictly reserved. Reproduction or issue to third parties in any form whatever is not permitted without written authority from the proprietor. Property of FCI. Copyright FCI.

B

1 | 2

3 |

4

PRODUCT NUMBER  
51866-037\_\_  
Note: (3)

NOTES:

1. DIMENSIONS AND TOLERANCES ARE IN ACCORDANCE WITH ASME Y14.5M, 1994 UNLESS OTHERWISE SPECIFIED.

CONNECTOR NOTES:

(2.) HOUSING MATERIAL: UL 94 V-0 GLASS FILLED HIGH-TEMP THERMOPLASTIC  
POWER CONTACT MATERIAL: COPPER ALLOY  
SIGNAL PIN MATERIAL: COPPER ALLOY

3. PLATING:

△ B 51866-037 AND 51866-037LF PLATING SPEC. WAS SHOWN IN THE PRINT OF 10064183.

(4.) MANUFACTURER'S NAME, P/N, AND DATE CODE TO APPEAR ON THIS SURFACE.

5. PRODUCT SPECIFICATION GS-12-149.  
APPLICATION SPECIFICATION BUS-20-067.

6. PACKAGED IN TRAYS.

PCB NOTES:

7. ALL HOLE DIAMETERS ARE FINISHED HOLE SIZE.

(8.) MOUNTING HOLES, WHERE APPLICABLE, ARE UNPLATED.

(9.)  $\varnothing .0453 \pm .0010$  [1.151 ± 0.025] DRILLED HOLES PLATED WITH .0003 [0.008] MIN SnPb OVER .001 [0.03] TO .003 [0.08] Cu PLATING TO ACHIEVE  $\varnothing .040 \pm .003$  [1.02 ± .07] HOLE.

(10.) "DIM XXX" TO BE DETERMINED BY THE CUSTOMER.

(11.) CONNECTOR KEEP-OUT ZONE.

12. USE FCI CAM TOOL 430140-XXX TO APPLY CONNECTOR TO PCB.

13. A △ B SYMBOL WILL BE NEXT TO ANY DIMENSION, VIEW, OR NOTE WHICH HAS BEEN MODIFIED WITH CURRENT DRAWING VERSION.

A

B

mat'l code				SEE NOTE 2		tolerances unless otherwise specified		CUSTOMER		www.ficconnect.com	
ltr	ecn no.	dr	date	linear	.XX±.01/0.X±0.3		COPY			title	
B					.XXX±.005/0.XX±0.13		projection			4P +12S + 4P R/A PF RECEPTACLE	
				angles	.XXX±.0020/0.XXX±0.051				product family		
					$0^{\circ} \pm 2^{\circ}$		scale		PwrBlade		
				dr	SLUO	8/5/05	1:1		size	code	
				enr	SLUO	08/05/05	A		dwg no	213	
				chr	VICTOR LIN	8/5/05	51866-037		sheet	4 of 4	
				appd	JOSEPH HSIA	8/5/05					
sheet index	revision sheet										

1 | 2

Pro/E

3 |

cage code 22526

4