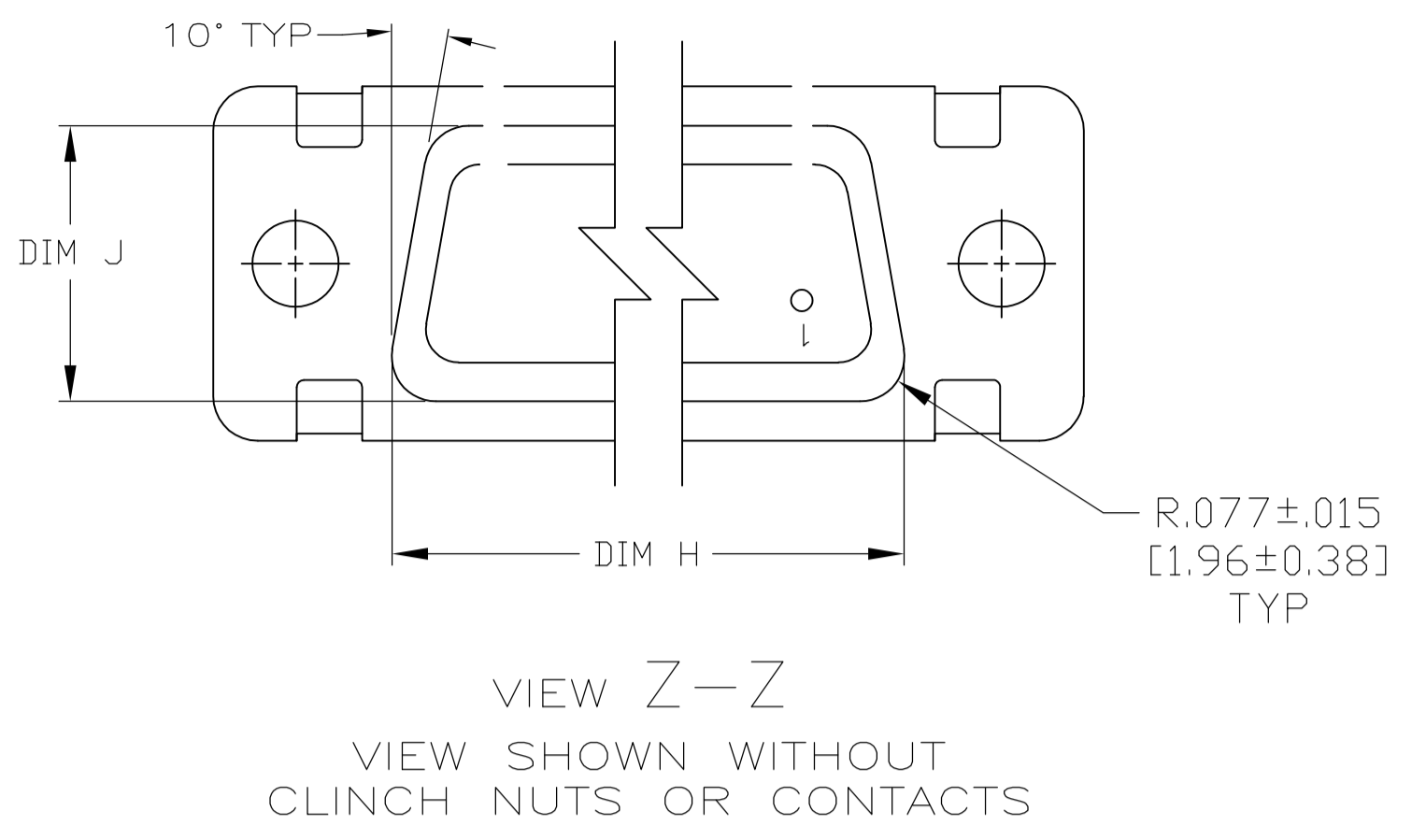
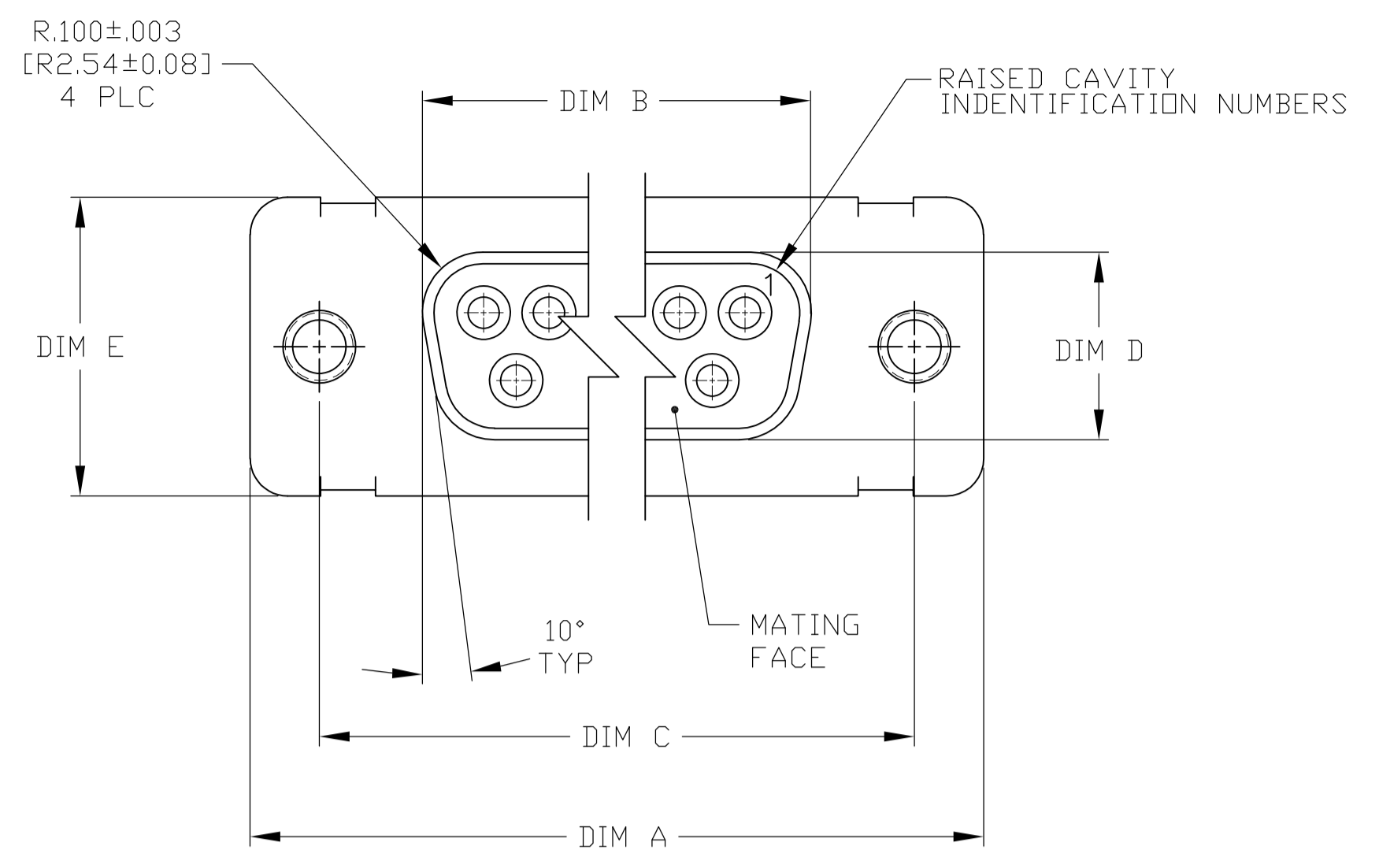
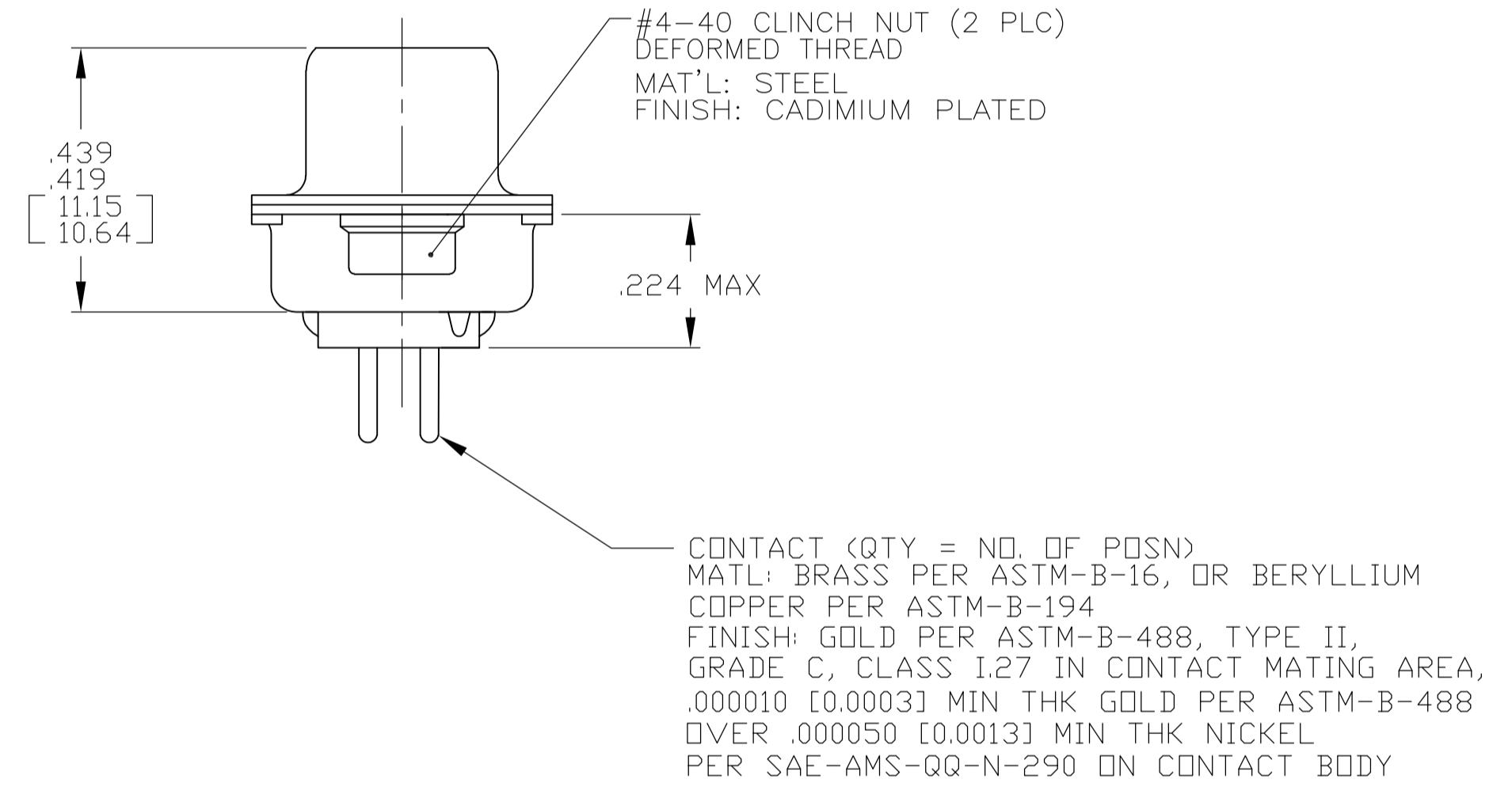
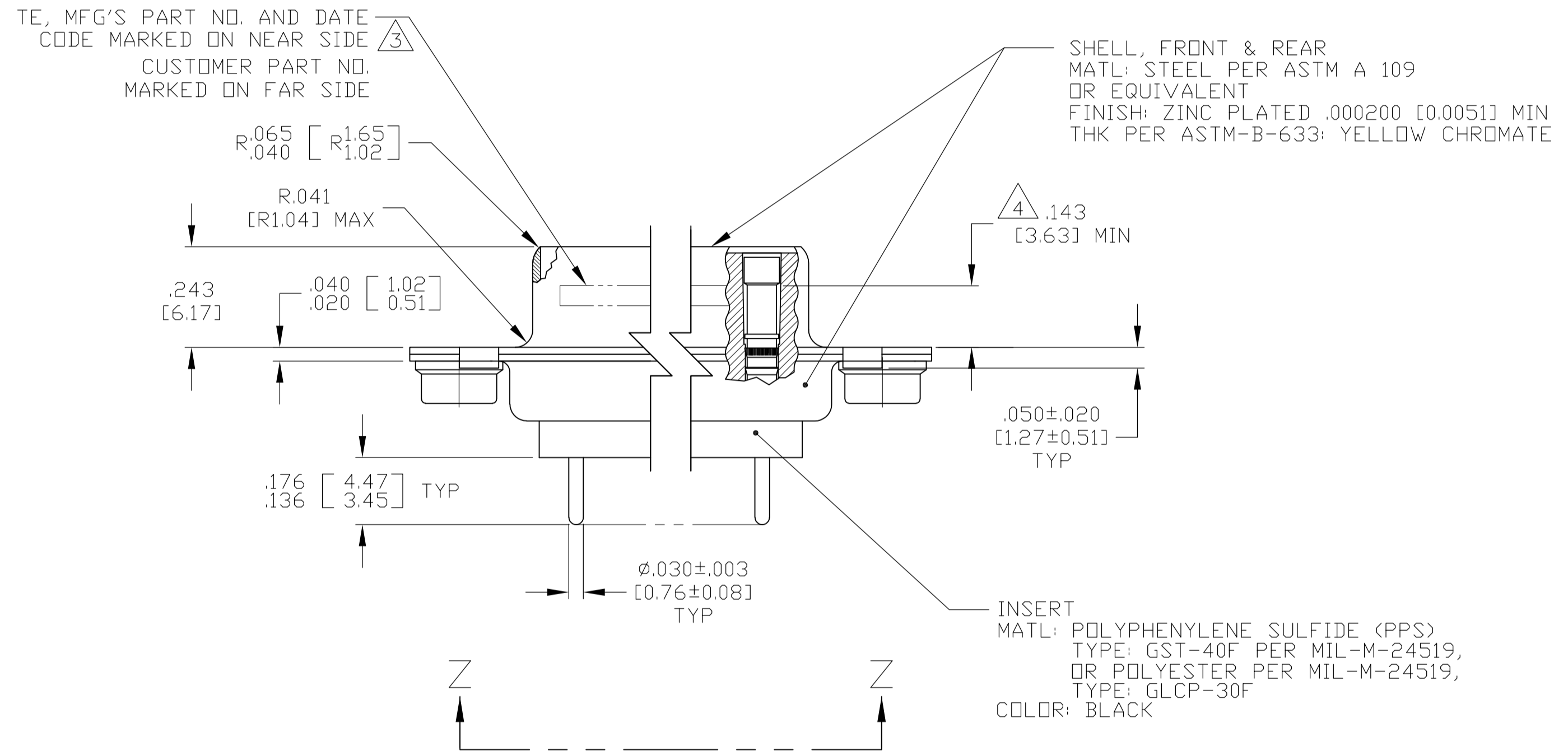


LOC		DIST		REVISIONS			
P	LTR	DESCRIPTION	DATE	DN	APVD		
A		RELEASED PER ECO 11-012760	6-21-11	CT	RL		

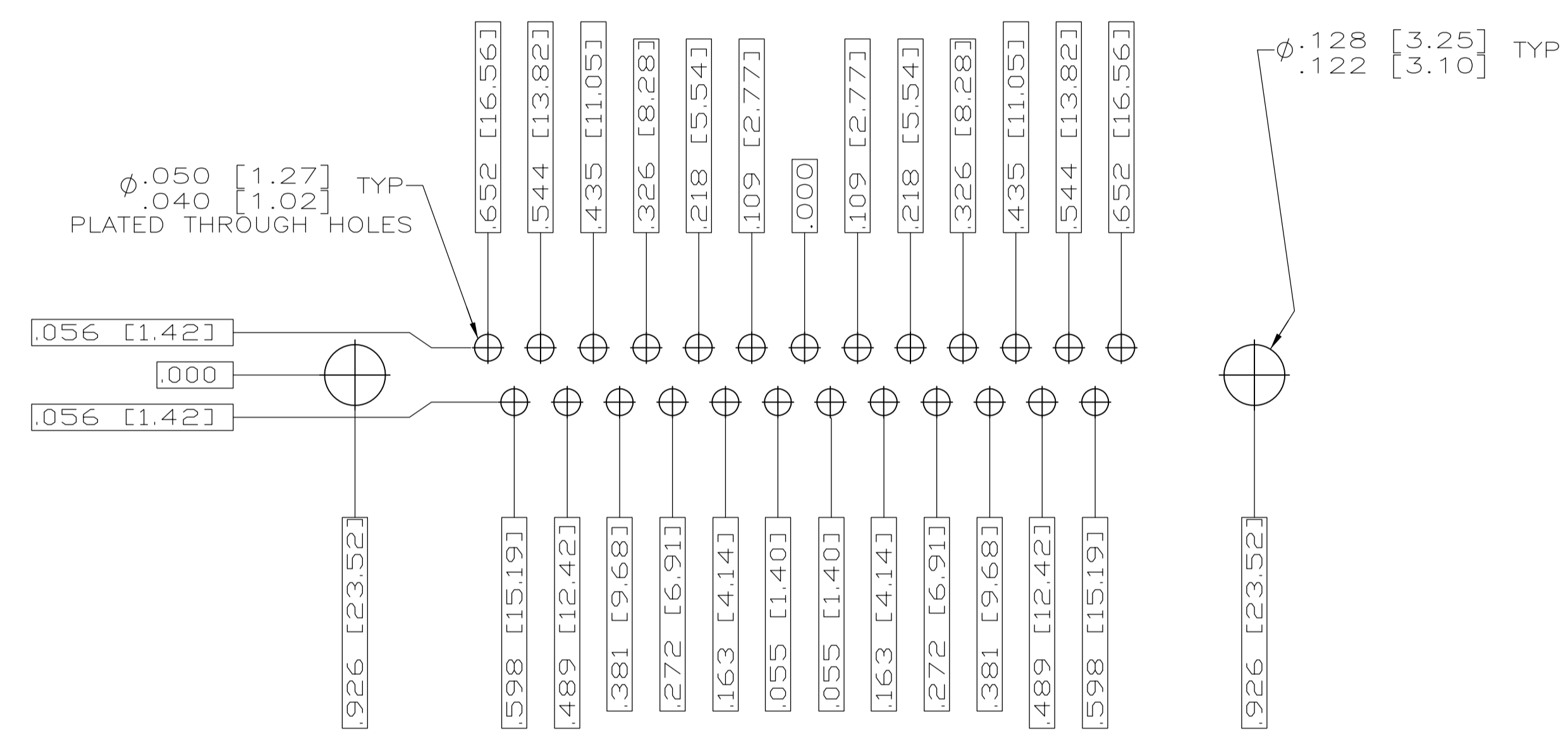


- 1 SEE SHEET 2 FOR RECOMMENDED P.C. BOARD LAYOUT. TRUE POSITION TOLERANCE FOR P.C. BOARD LAYOUT IS .010 [0.25] AT MAX MATERIAL CONDITION. SUGGESTED BOARD THICKNESS IS .062 [1.57]
- 2. THE CONNECTORS DESCRIBED IN THIS DOCUMENT MEET THE REQUIREMENTS OF MIL-C-24308 AND MATE WITH ANY PLUG CONNECTOR WITH SAME INSERT ARRANGEMENT.
- 3 MARKED WITH .047 [1.19]-.062 [1.57] HIGH CHARACTERS. FAR SIDE REFERS TO THE WIDE SIDE OF THE KEYSTONE. NEAR SIDE REFERS TO THE NARROW SIDE OF THE KEYSTONE. IF THE FRONT SHELL IS TOO SMALL FOR "TE", MFG'S PART NUMBER AND DATE CODE, MARKING SHALL BE SPLIT AS FOLLOWS:
 - A. MFG'S PART NUMBER ON REAR SHELL, NEAR SIDE.
 - B. "TE" AND DATE CODE ON FRONT SHELL, NEAR SIDE.
 - C. CUSTOMER PART NUMBER ON FRONT SHELL, FAR SIDE.
- 4 POINT OF ELECTRICAL ENGAGEMENT - AS MEASURED WITH A .0390-.0393 [0.991-0.998] DIA SQUARE ENDED PIN.



.432 [10.97] .412 [10.46]	1.635 [41.53] 1.615 [41.02]	.509 [12.93] .479 [12.17]	.316 [8.03] .306 [7.77]	1.857 [47.17] 1.847 [46.91]	1.516 [38.51] 1.506 [38.25]	2.103 [53.42] 2.073 [52.65]	MS18275-1	25	3	73030SOCN-ED743961-49	2157425-3	2157425-3
DIM J	DIM H	DIM E	DIM D	DIM C	DIM B	DIM A	INSERT ARRANGEMENT	NO OF POS	SHELL SIZE	CUSTOMER P/N MARKED ON CONNECTOR	MFG'S P/N MARKED ON CONNECTOR	PART NO.
THIS DRAWING IS A CONTROLLED DOCUMENT.										DIM C.C.THOMAS 3-16-11 CHK R. LEASE 3-16-11 APVD R. LEASE 3-16-11 PRODUCT SPEC		
DIMENSIONS: INCHES [mm]		TOLERANCES UNLESS OTHERWISE SPECIFIED:		0 PLC ± - 1 PLC ± - 2 PLC ± - 3 PLC ± .005 [0.13] 4 PLC ± - ANGLES ± ± 1°		MATERIAL SEE CALLOUTS FINISH SEE CALLOUTS		WEIGHT -- SCALE 4:1		SIZE CAGE CODE DRAWING NO. RESTRICTED TO A1 00779 C=2157425 CUSTOMER DRAWING		
RECEPTACLE ASSEMBLY, AMPLIMITE, POSTED SERIES 109										STC TE Connectivity		

LOC		DIST		REVISIONS			
P	LYR	DESCRIPTION	DATE	DNW	APVD		
-	-	SEE SHEET #1	-	-	-	-	-



RECOMMENDED P.C. BOARD LAYOUT Δ
 SHELL SIZE 3 (25 POSITION)

THIS DRAWING IS A CONTROLLED DOCUMENT.		DIN C.C.THOMAS 3-16-11	TE Connectivity													
DIMENSIONS: INCHES [mm]		CHK RELEASE 3-16-11														
TOLERANCES UNLESS OTHERWISE SPECIFIED:		APVD RELEASE 3-16-11	NAME RECEPTACLE ASSEMBLY,AMPLIMITE,POSTED SERIES 109													
<table border="1"> <tr><td>0 PL</td><td>± .005 [0.13]</td></tr> <tr><td>1 PL</td><td>± .005 [0.13]</td></tr> <tr><td>2 PL</td><td>± .005 [0.13]</td></tr> <tr><td>3 PL</td><td>± .005 [0.13]</td></tr> <tr><td>4 PL</td><td>± .005 [0.13]</td></tr> <tr><td>ANGLES</td><td>± 1°</td></tr> </table>		0 PL	± .005 [0.13]	1 PL	± .005 [0.13]	2 PL	± .005 [0.13]	3 PL	± .005 [0.13]	4 PL	± .005 [0.13]	ANGLES	± 1°	PRODUCT SPEC	APPLICATION SPEC	
0 PL	± .005 [0.13]															
1 PL	± .005 [0.13]															
2 PL	± .005 [0.13]															
3 PL	± .005 [0.13]															
4 PL	± .005 [0.13]															
ANGLES	± 1°															
MATERIAL SEE CALLOUTS	FINISH SEE CALLOUTS	WEIGHT -	SIZE A1	RESTRICTED TO -												
CUSTOMER DRAWING		SCALE 4:1	SHEET 2 OF 2	REV A												