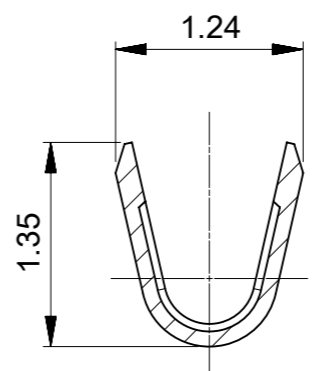
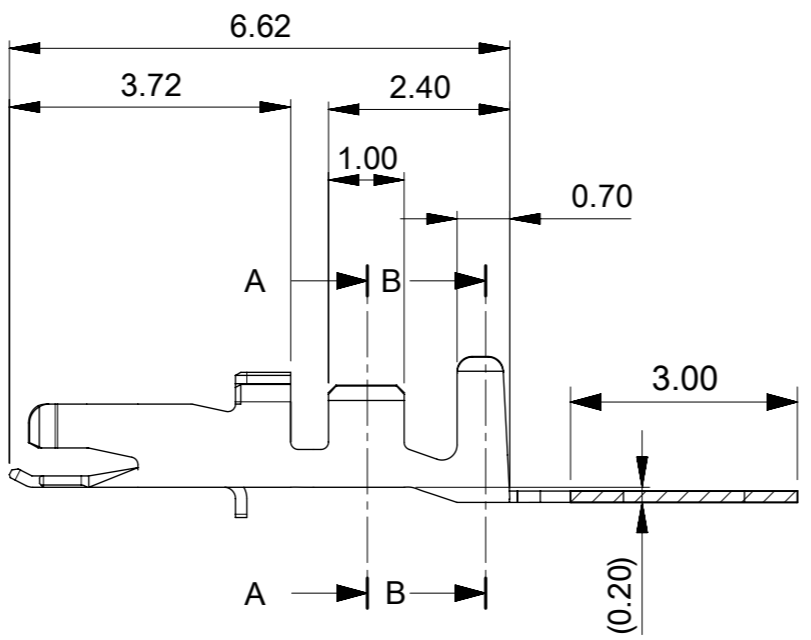
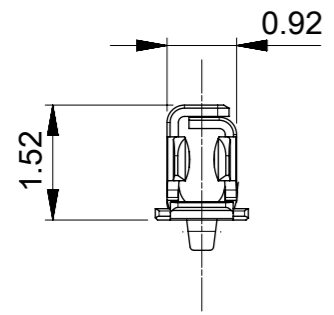
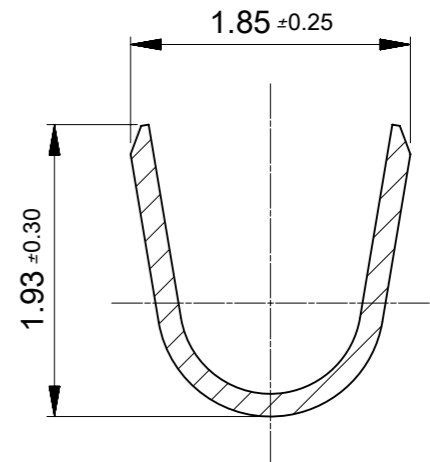


**NOTE**

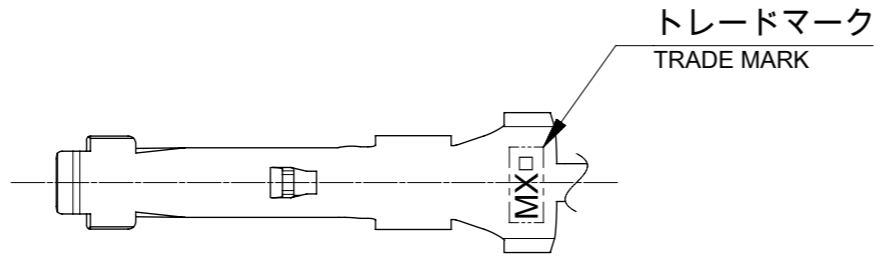
1. 適合ハウジング : 201644, 201647  
APPLICABLE HOUSING
2. ELV及びRoHS適合  
ELV AND RoHS COMPLIANT
3. アプリケーション仕様書(コネクタ取扱説明書): 2016440000 A\*\*  
APPLICATION SPECIFICATION (CONNECTOR MANUAL)
4. 製品仕様書 : 2016440000, 2016470000  
PRODUCT SPECIFICATION:
5. 圧着仕様書 : 2016490000 C\*\*  
CRIMPING SPECIFICATION:
6. 圧着視覚教材 (品質要領書) : ATS-57427-0000  
CRIMPING VISUAL AID:



SECTION A-A  
SCALE 20:1

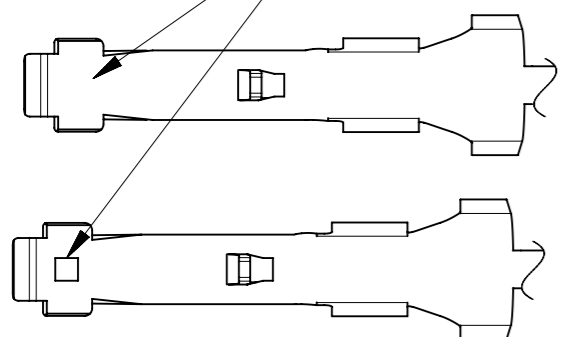


SECTION B-B  
SCALE 20:1



トレードマーク  
TRADE MARK

金型識別マーク  
DIE IDENTIFICATION MARK



部品 PART	材質 MATERIAL
ターミナル TERMINAL	銅合金 錫めっき、リフロー処理(前めっき) めっき厚 : 0.7µm以上 COPPER ALLOY PRE-TIN PLATED(HEAT TREATED MATTE TIN) PLATING THICKNESS : 0.7micro-meter MIN.
適用電線範囲 WIRE RANGE	絶縁被覆外径 INSULATION RANGE
AWG : #24-28	φ1.15 MAX.

THIS DRAWING CONTAINS INFORMATION THAT IS PROPRIETARY TO MOLEX ELECTRONIC TECHNOLOGIES, LLC AND SHOULD NOT BE USED WITHOUT WRITTEN PERMISSION		CURRENT REV DESC:		<b>molex</b>	
DIMENSION UNITS mm	SCALE 10:1	EC NO: 175979			
GENERAL TOLERANCES (UNLESS SPECIFIED)		DRWN: MIKEDA01 2017/06/29		SPOT-ON1.5 REC. CRIMP TERMINAL	
ANGULAR TOL ± 3.0°		CHK'D: AIDA 2018/05/16		PRODUCT CUSTOMER DRAWING	
4 PLACES ± 0.2		APPR: TKANEKO 2018/05/17		DOCUMENT NUMBER	
3 PLACES ± 0.2		INITIAL REVISION:		2016490000	
2 PLACES ± 0.2		DRWN: MIKEDA01 2016/12/19		DOC TYPE	
1 PLACE ± 0.2		APPR: TKANEKO 2016/12/28		PSD	
0 PLACES ± 0.2		THIRD ANGLE PROJECTION		DOC PART	
DRAFT WHERE APPLICABLE MUST REMAIN WITHIN DIMENSIONS		DRAWING		REVISION	
		A3-SIZE		000	
		SERIES		B	
		MATERIAL NUMBER		SHEET NUMBER	
		201649		1 OF 1	
		CUSTOMER			
		GENERAL			