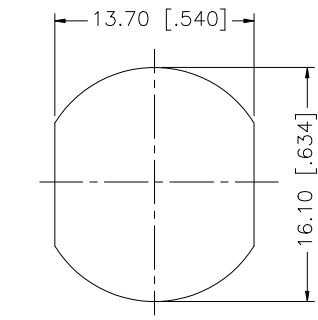
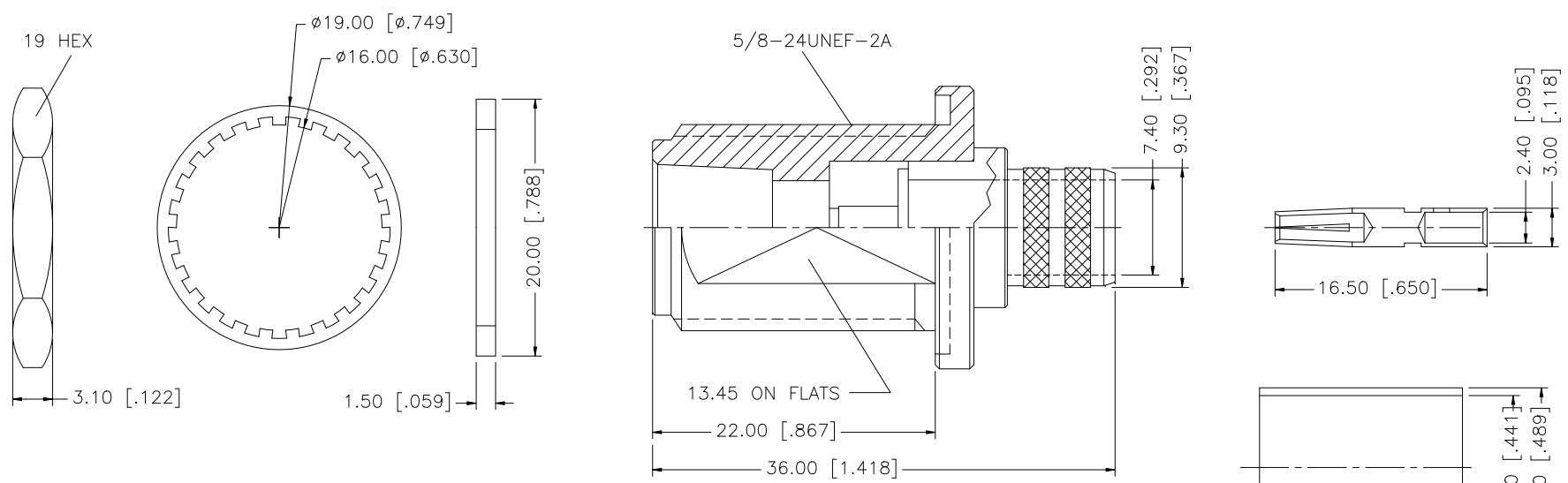
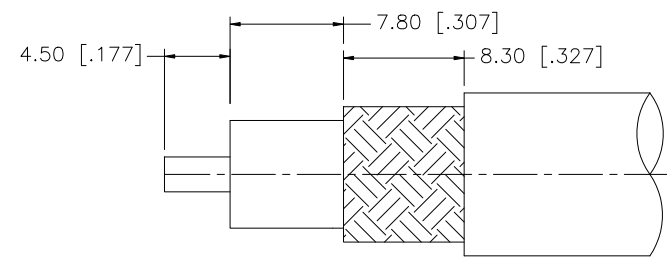


REV.	DATE	DESCRIPTION
NC	07/08/07	INITIAL RELEASE



RECOMMENDED MOUNTING HOLE DIMENSIONS



RECOMMENDED CABLE STRIPPING DIM'S

- NOTE:
1. CRIMPED FERRULE HEX CRIMP SIZE .429"
 2. CRIMPED CONTACT PIN HEX CRIMP SIZE .100"
 3. MAX. PANEL THICKNESS = 6.5mm

QTY	DESCRIPTION	MATERIAL	FINISH
1	BODY	BRASS	NEXCOTE
2	INSULATOR	TEFLON	NATURAL
3	BARREL	BRASS	NEXCOTE
4	GASKET	SILICONE	RED
5	LOCK WASHER	BRASS	NEXCOTE
6	HEX NUT	BRASS	NEXCOTE
7	CONTACT PIN	BER. COPPER	GOLD
8	FERRULE	COPPER	NEXCOTE

UNLESS OTHERWISE SPECIFIED DIMENSIONS ARE IN MILLIMETERS. DIMENSIONS IN [] ARE IN INCHES AND FOR CUSTOMER REFERENCE ONLY.

UNLESS OTHERWISE SPECIFIED TOLERANCES FOR MILLIMETERS ARE:
0.5 - 8mm ± 0.20mm
8 - 30mm ± 0.40mm
30 - 120mm ± 0.50mm

UNLESS OTHERWISE SPECIFIED TOLERANCES FOR INCHES ARE:
.020 - .315 ± 0.007"
.315 - 1.180 ± 0.015"
1.180 - 4.724 ± 0.020"

DO NOT SCALE DRAWING

APPROVALS	DATE
DRAWN G.R.S.	07/08/07
CHECKED	
ISSUED	
SHEET 1 OF 1	
CAD FILE	C:/172/172168.DWG

Amphenol Connex

PART DESCRIPTION
**N BULKHEAD CRIMP JACK
(FOR RG-214/U CABLE)**

PART NO.
172168

DWG. NO.	172168.DWG	REV.	NC	SIZE	A	SCALE	NA
----------	------------	------	----	------	---	-------	----