

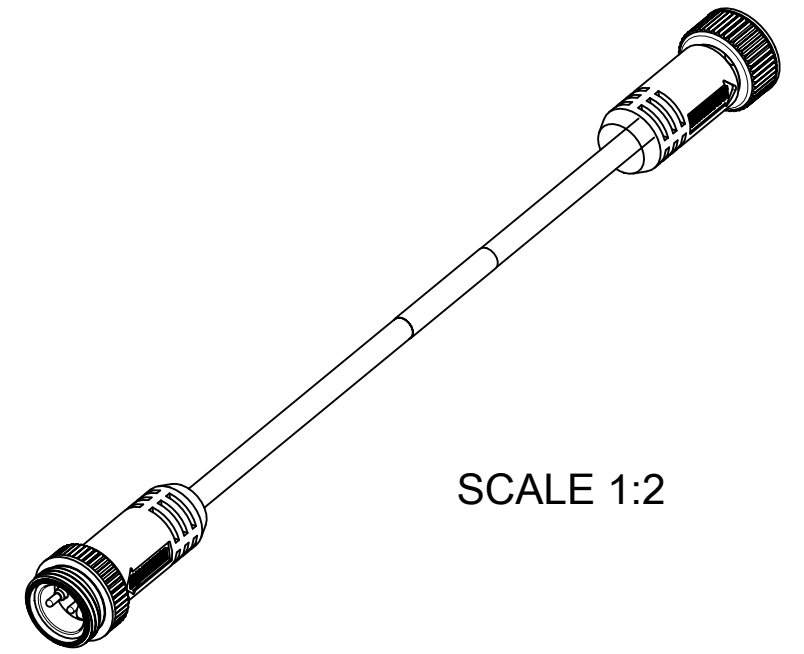
MATERIAL NO.	ENGINEERING NO.	FINISHED LENGTH
1300101718	112030A01F060	6FT (1.8M)
1300100208	112030A01M050	16FT 4.8IN (5M)
1300102031	112030A01F250	25FT (7.6M)

**PART NO. MATRIX**  
112030A01-M005

FINISHED LENGTH  
F010 = 1.0 FEET  
F100 = 10.0 FEET  
M005= 0.5 METER  
M010= 1 METER  
M100= 10 METER

**CABLE LENGTH TOLERANCES**

<.3M [1FT]:	+19mm-0 [ +.75in-0]
.3 - .9M [1 - 3FT]:	+44.5mm-0 [+1.75in-0]
.9 - 1.8M [3 - 6FT]:	+55.6mm-0 [+2.19in-0]
1.8 - 3.7M [6 - 12FT]:	+88.9mm-0 [+3.50in-0]
3.7 - 7.3M [12 - 24FT]:	+165.1mm-0 [+6.50in-0]
7.3-14.6M [24 - 48FT]:	+317.5mm-0 [+12.50in-0]
14.6 - 30.5M [48-100FT]:	+622.3mm-0 [+24.50in-0]
OVER 30M [100FT]	+2% OF FINISHED LENGTH

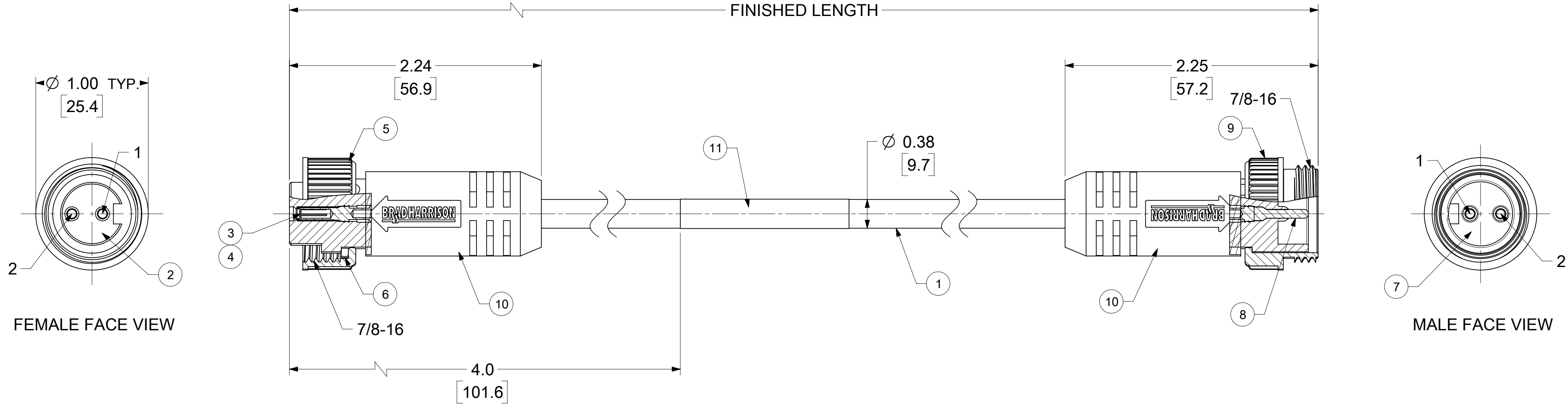


SCALE 1:2

- NOTES:**
- MATERIAL: AS NOTED
  - FINISH: AS NOTED
  - ELECTRICAL SPECIFICATIONS  
VOLTAGE RATING: 500V PER IEC60664  
600V PER UL2238  
CURRENT RATING: 13A
  - TEMP RANGE: -20°C TO +105°C
  - PROTECTION: IP67 (WHEN MATED)
  - UL RECOGNIZED FILE: E152210  
CSA CERTIFIED FILE: LR6837
  - ALL DIMS ARE FOR REFERENCE UNLESS TOLERANCED OR NOTED OTHERWISE

**WIRING DIAGRAM**

1	WHITE	1
2	BLACK	2



11	LABEL	VINYL	BLACK/YELLOW	
10	OVERMOLD	TPE	YELLOW	(A)
9	COUPLING NUT, MALE	ZINC DIE-CAST	BLACK E-COAT	
8	CONTACT PIN	COPPER ALLOY	SELECTIVE GOLD/NICKEL	
7	MALE INSERT	TPE	YELLOW	(A)
6	FRICION RING	NYLON	NATURAL	
5	COUPLING NUT, FEMALE	ZINC DIE-CAST	BLACK E-COAT	
4	SLEEVE	STAINLESS STEEL	-	
3	CONTACT SOCKET	COPPER ALLOY	SELECTIVE GOLD/NICKEL	
2	FEMALE INSERT	TPE	YELLOW	(A)
1	CABLE, 16/2 AWG	PVC JACKET	YELLOW	
ITEM	DESCRIPTION	MATERIAL	FINISH	

THIS DRAWING CONTAINS INFORMATION THAT IS PROPRIETARY TO MOLEX ELECTRONIC TECHNOLOGIES, LLC AND SHOULD NOT BE USED WITHOUT WRITTEN PERMISSION

DIMENSION UNITS	SCALE	CURRENT REV DESC: INITIAL RELEASE, PVC CHANGED TO TPE	<b>molex</b>		
INCH/MM	1.5:1				
GENERAL TOLERANCES (UNLESS SPECIFIED)		EC NO: 648668	MINI-CHANGE CORDSET, A SIZE 2 POLE, MALE-FEMALE, STRAIGHT, SINGLE KEY, 16 AWG		
4 PLACES	±	DRWN: VASUTHKARP	2020/10/12	PRODUCT CUSTOMER DRAWING	
3 PLACES	±	CHK'D: RSTONE	2020/11/11	DOCUMENT NUMBER	
2 PLACES	±	APPR: BWOODMAN	2020/11/18	1300100208	DOC TYPE
1 PLACE	±	INITIAL REVISION:		PSD	DOC PART
0 PLACES	±	DRWN: VASUTHKARP	2020/10/12	000	REVISION
ANGULAR TOL	± °	APPR: BWOODMAN	2020/11/18	A	
DRAFT WHERE APPLICABLE MUST REMAIN WITHIN DIMENSIONS	THIRD ANGLE PROJECTION	DRAWING	SERIES	MATERIAL NUMBER	CUSTOMER
		C-SIZE	130010	SEE TABLE	GENERAL MARKET
					SHEET NUMBER
					1 OF 1