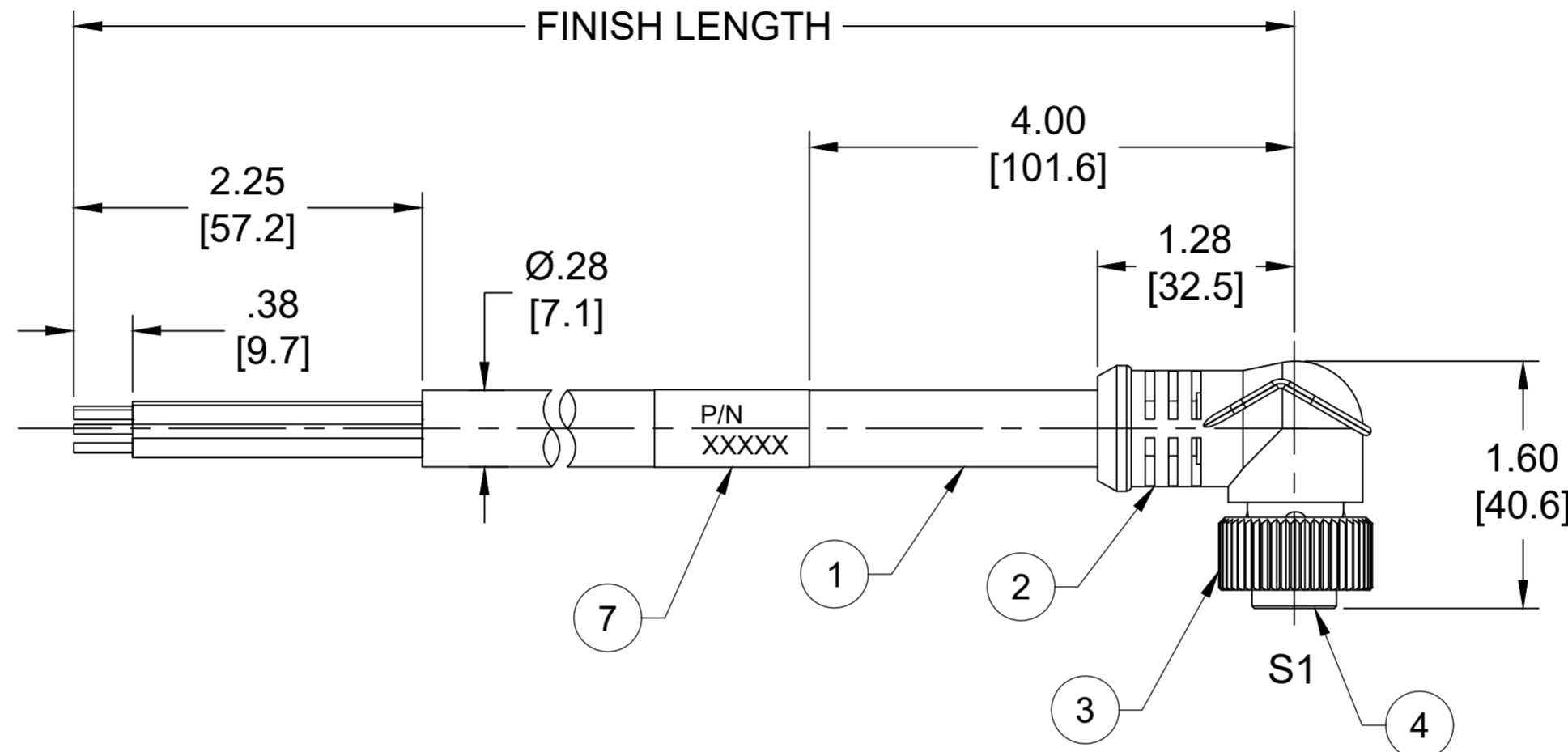
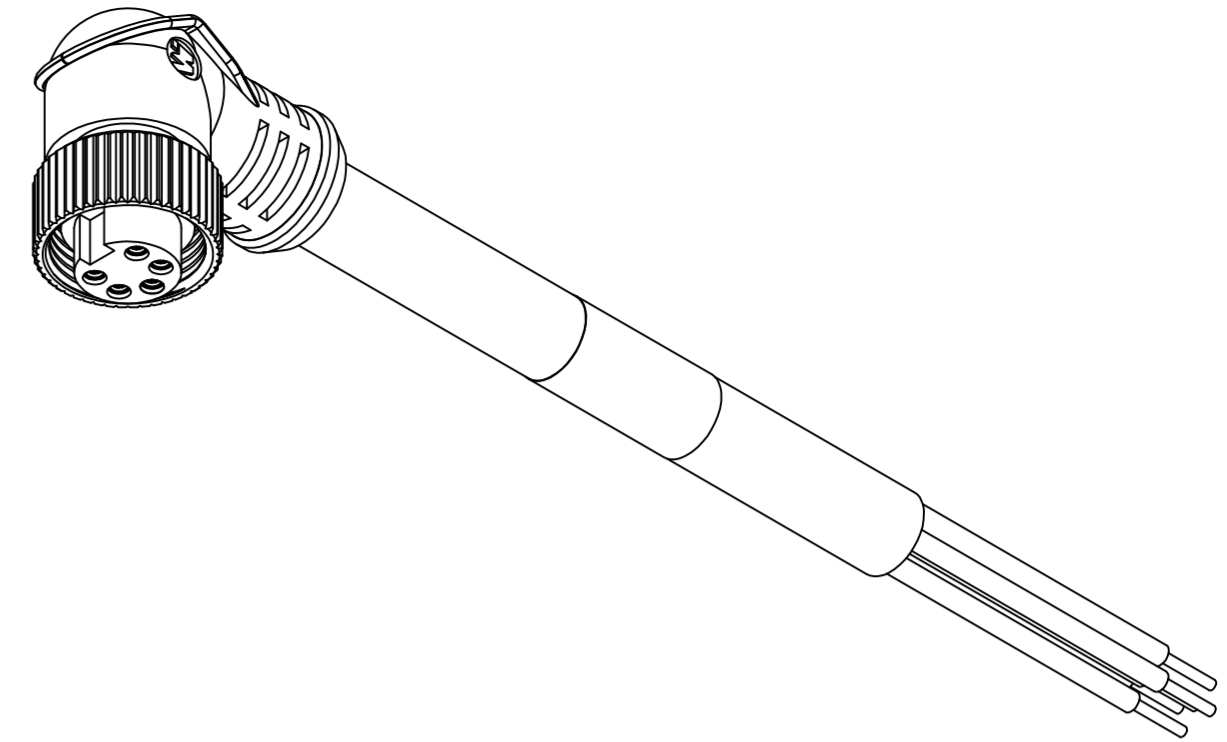


PART NO.	ENGINEERING NO.	FINISHED LENGTH
1300061402	105001A07M010	1M [3FT 3 IN]
1300061409	105001A07M050	5M [16FT 5 IN]
1300061413	105001A07M150	15M [49FT 3 IN]

### PART NUMBER LEGEND

105001A07M010

CABLE LENGTH  
M000 = 0.5 METER  
M010 = 1 METER  
M100 = 10 METER

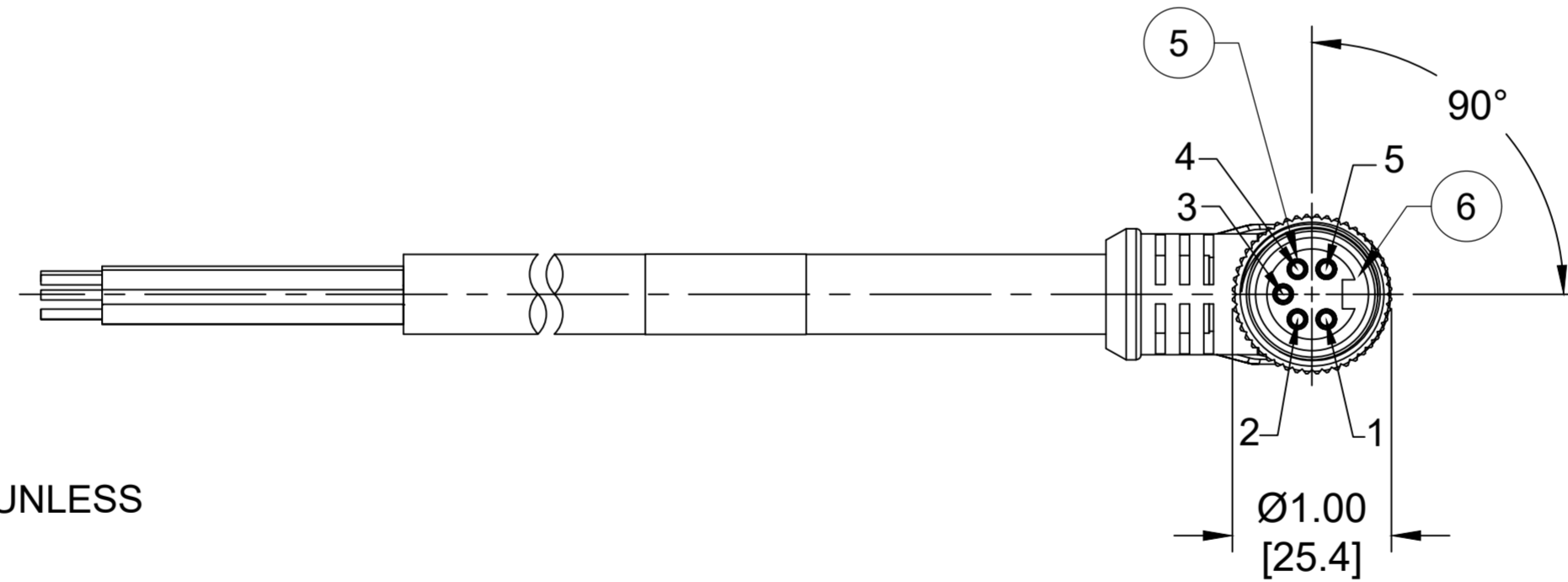


**NOTES:**

- MATERIAL: AS NOTED
- FINISH: AS NOTED
- ELECTRICAL:  
VOLTAGE : 300V  
CURRENT: 4A
- TEMP RATING: -20° TO +105°C
- PROTECTION: IP67 (WHEN MATED)
- COUPLING THREAD: 7/8"-16UN
- CSA CERTIFIED FILE: LR6837
- ALL DIMENSIONS ARE FOR REFERENCE UNLESS TOLERANCED OR NOTED OTHERWISE

	S1
BLACK	1
BLUE	2
GREEN/YELLOW-GND	3
BROWN	4
WHITE	5

WIRING DIAGRAM



FEMALE FACE VIEW

**CABLE LENGTH TOLERANCES**

<.3M [1FT]:	+19mm-0 [+.75in-0]
.3 - .9M [1 - 3FT]:	+44.5mm-0 [+1.75in-0]
.9 - 1.8M [3 - 6FT]:	+55.6mm-0 [+2.19in-0]
1.8 - 3.7M [6 - 12FT]:	+88.9mm-0 [+3.50in-0]
3.7 - 7.3M [12 - 24FT]:	+165.1mm-0 [+6.50in-0]
7.3-14.6M [24 - 48FT]:	+317.5mm-0 [+12.50in-0]
14.6 - 30.5M [48-100FT]:	+622.3mm-0 [+24.50in-0]
OVER 30M [100FT]	+2% OF FINISHED LENGTH

ITEM	COMPONENT	MATERIAL	FINISH
7	WRAP LABEL	VINYL	BLACK/YELLOW
6	FRICITION RING	NYLON	WHITE
5	CONTACT SOCKET	COPPER ALLOY	GOLD OVER NICKEL
4	INSERT	TPE	YELLOW
3	COUPLING NUT	ZINC DIE CAST	BLACK-E-COAT
2	OVERMOLD	TPE	YELLOW
1	CABLE, 20 AWG	PVC	YELLOW

FUNCTIONAL SYMBOLS				THIS DRAWING CONTAINS INFORMATION THAT IS PROPRIETARY TO MOLEX ELECTRONIC TECHNOLOGIES, LLC AND SHOULD NOT BE USED WITHOUT WRITTEN PERMISSION			
DIMENSION UNITS		SCALE		CURRENT REV DESC: ITEM# 2 & 4 WERE PVC. ADDED ITEM #6. MODIFIED TEMP RATING & PN CHART. REMOVED IEC & UL FROM NOTES.			
INCH/MM		NTS		EC NO: 698916 DRWN: ABENJAMINLW 2021/05/21 CHK'D: RSTONE 2022/03/09 APPR: BWOODMAN 2022/03/11			
GENERAL TOLERANCES (UNLESS SPECIFIED)							
mm		INCH		INITIAL REVISION: DRWN: BWOODMAN 2009/12/30 APPR: JFMURPHY 2010/01/08			
4 PLACES	±----	±----	±----				
3 PLACES	±----	±----	±----	DOCUMENT NUMBER: SD-130006-033 DOC TYPE/DOC PART: PSD 001 REVISION: C			
2 PLACES	±----	±----	±----				
1 PLACE	±----	±----	±----	MATERIAL NUMBER: SEE CHART CUSTOMER: GENERAL MARKET SHEET NUMBER: 1 OF 1			
0 PLACES	±----	±----	±----				
ANGULAR TOL ± ---- °				THIRD ANGLE PROJECTION			
DRAFT WHERE APPLICABLE MUST REMAIN WITHIN DIMENSIONS				DRAWING: C-SIZE SERIES: 130006			