

PART NO MATRIX

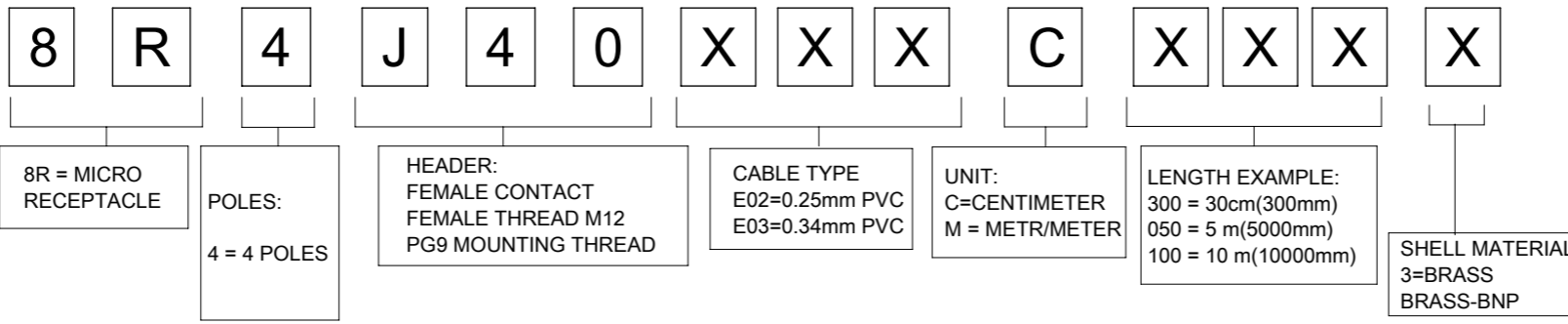
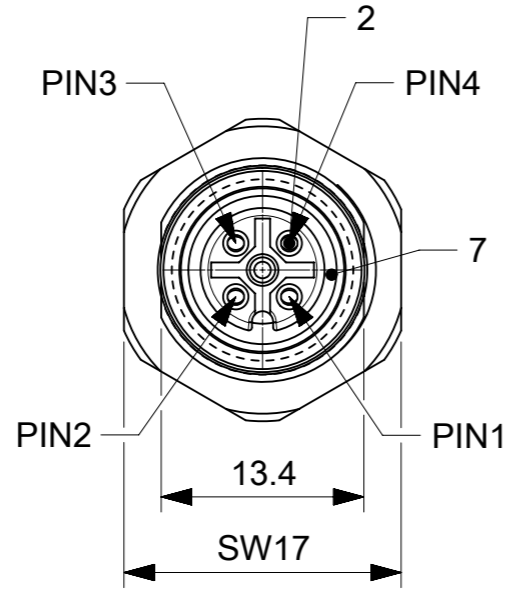


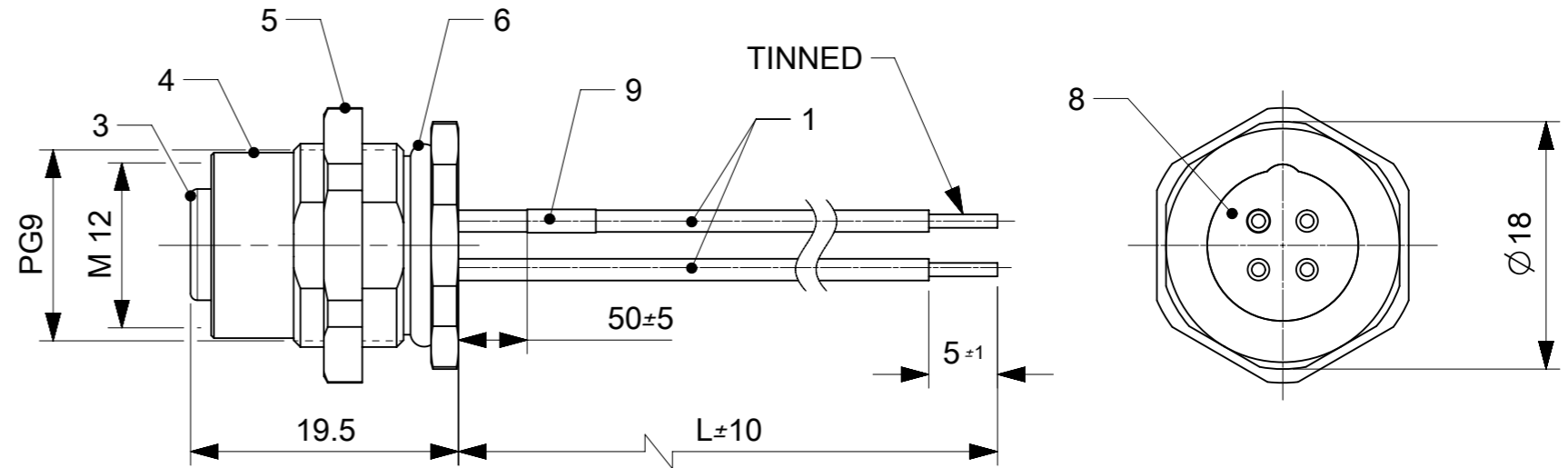
TABLE 1

MOLEX P/N	ENGINEERING NO.	L [mm]
1200705168	8R4J40E03C200	200
1200708015	8R4J40E03C300	300
1200110239	8R4J40E03C3003	300
1200708130	8R4J40E03C500	500
1200705035	8R4J40E03M010	1000
1200705187	8R4J40E03M030	3000
1200708069	8R4J40E03M0303	3000

WIRE DIAGRAM



VIEW FROM FRONT SIDE



NOTES:

ELECTRICAL DATA:
 VOLTAGE RATING: 250V
 AMPERAGE RATING: 4A
 INSULATION RESISTANCE: 10⁸ Ω MIN.
 MATING CYCLES: MAX. 100

ENVIRONMENTAL:
 PROTECTION: IP67
 OPERATING TEMPERATURE: -25°C TO +85°C

BOM

ITEM	QTY.	DESCRIPTION	MATERIAL	FINISH/COLOR
1	-	WIRE 22AMG	PVC	BROWN
		WIRE 22AMG	PVC	WHITE
		WIRE 22AMG	PVC	BLUE
		WIRE 22AMG	PVC	BLACK
2	4	FEMALE CONTACT	BRASS	GOLD OVER Ni-PLATED
3	1	FEMALE INSERT	TPU	BLACK
4	1	SHELL	BRASS	NICKEL PLATED
5	1	LOCKNUT PG9	BRASS	NICKEL PLATED
6	1	O-RING	NBR	BLACK
7	1	GASKET	FPM	RED
8	-	POTTING MATERIAL	EPOXY	TRANSPARENT
9	1	LABEL	VINYL	YELLOW

CABLE SPECIFICATION

CABLE TYPE	NO. OF WIRES	CROSS SECTION	CABLE JACKET	UL	CSA	RATED VOLTAGE	RATED TEMPERATURE
E03	4	0.34mm ²	PVC	UL758, UL1581	C22.2 No.210	300	105

Table of length tolerances

Over	Up to and including	Tolerance
0	305	+19
305	915	+45
915	1830	+56
1830	3660	+89
3660	7320	+165
7320	14640	+317
14640	30500	+610
30500	>	+2% of length

THIS DRAWING CONTAINS INFORMATION THAT IS PROPRIETARY TO MOLEX ELECTRONIC TECHNOLOGIES, LLC AND SHOULD NOT BE USED WITHOUT WRITTEN PERMISSION

SYMBOLS: $\nabla = 0$, $\nabla = 0$, $\nabla = 0$, $\nabla = 0$, $\nabla = 0$, $\nabla = 0$, $\nabla = 0$, $\nabla = 0$, $\nabla = 0$, $\nabla = 0$

THIS DRAWING DIMENSION UNITS: mm, SCALE: 2:1

GENERAL TOLERANCES (UNLESS SPECIFIED): ANGULAR TOL ± 1.0°

4 PLACES ±, 3 PLACES ±, 2 PLACES ± 0.05, 1 PLACE ± 0.3, 0 PLACES ± 0.5

DRAFT WHERE APPLICABLE MUST REMAIN WITHIN DIMENSIONS

THIRD ANGLE PROJECTION

CURRENT REV DESC: EC NO: 613176, DRWN: SSM, 2019/03/05, CHK'D: DSTACHOWIAK, 2019/03/05, APPR: DSTACHOWIAK, 2019/03/05

INITIAL REVISION: DRWN: SSM, 2018/09/05, APPR: RSILLER, 2018/09/07

molex

REC M12 4P AC FE STR PVC PG9

PRODUCT CUSTOMER DRAWING

DOCUMENT NUMBER: 1200705168, DOC TYPE: PSD, DOC PART: 000, REVISION: A1

MATERIAL NUMBER: SEE TABLE 1, CUSTOMER: GENERAL MARKET, SHEET NUMBER: 1 OF 1