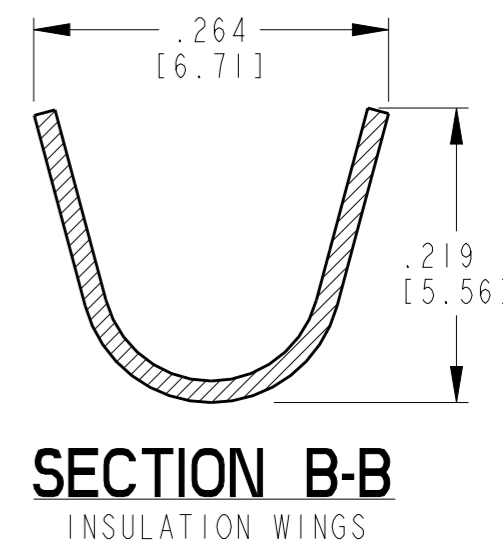
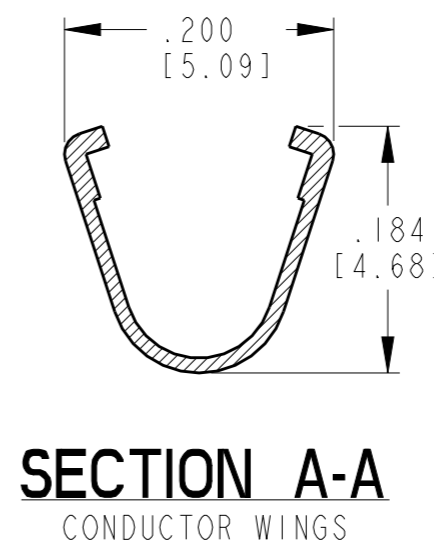
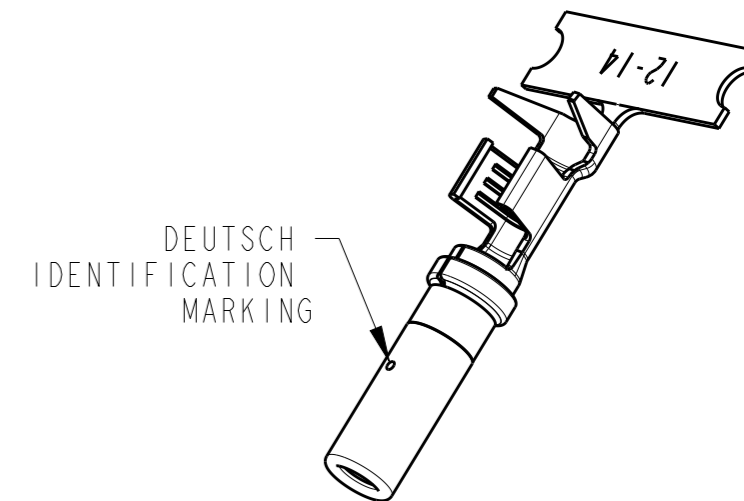
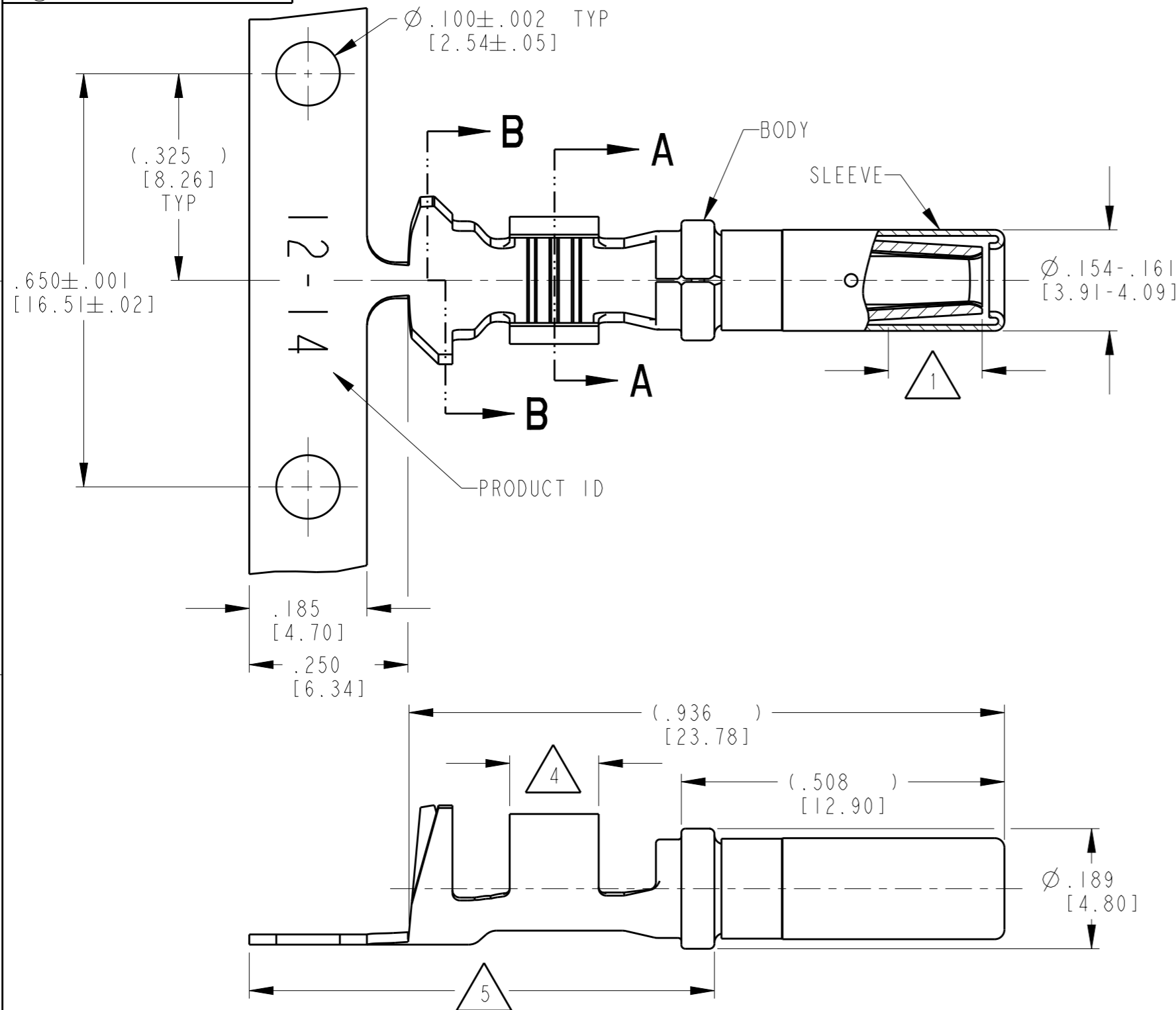


P	LTR	DESCRIPTION	DATE	DWN	APVD
C		REVISED PER EO PI9555	7-11-07		RDR
D		REVISED PER PCN E-20-009639	10JUL2020	DM	IG



- 5 TIN PLATING MAY BE IN THIS REGION.
- 4 TIN PLATED REGION.
- 3 MATERIAL: .016 [0.41] THICK COPPER ALLOY.
- 2. WIRE RANGE: 14 AWG TO 12 AWG [2.0-4.0mm<sup>2</sup>]  
INSULATION RANGE: Ø.113-.176 [2.87-4.47]
- 1 GOLD PLATED REGION.

NOTES: UNLESS OTHERWISE SPECIFIED

TE INTERNAL PN	DEUTSCH PN	PLATING
1062-12-0144	1062-12-0144	Selective Au, Ni/Cu overall, Sn/Ni/Cu Wire Barrel
1062-12-0166	1062-12-0166	Selective Ni, Ni/Cu overall, Sn/Ni/Cu Wire Barrel

THIS DRAWING IS A CONTROLLED DOCUMENT.		DWN D. MEYER 14NOV2000	TE Connectivity	
DIMENSIONS: INCH [mm]		CHK B. BYFORD 11JUL2007		
TOLERANCES UNLESS OTHERWISE SPECIFIED:		APVD R. REED 11JUL2007	NAME STAMPED CONTACT SOCKET SIZE 12	
0 PLC ± 1 PLC ± 2 PLC ± 3 PLC ±.025 [0.64] 4 PLC ± ANGLES ±		PRODUCT SPEC 108-151000	SIZE A3	
MATERIAL 3		APPLICATION SPEC 114-151002	CAGE CODE 4AFU8	DRAWING NO C=1062-12-01XX
FINISH SEE TABLE		WEIGHT 1.0 g	RESTRICTED TO -	SCALE 5:1
		CUSTOMER DRAWING	SHEET 1 OF 1	REV D