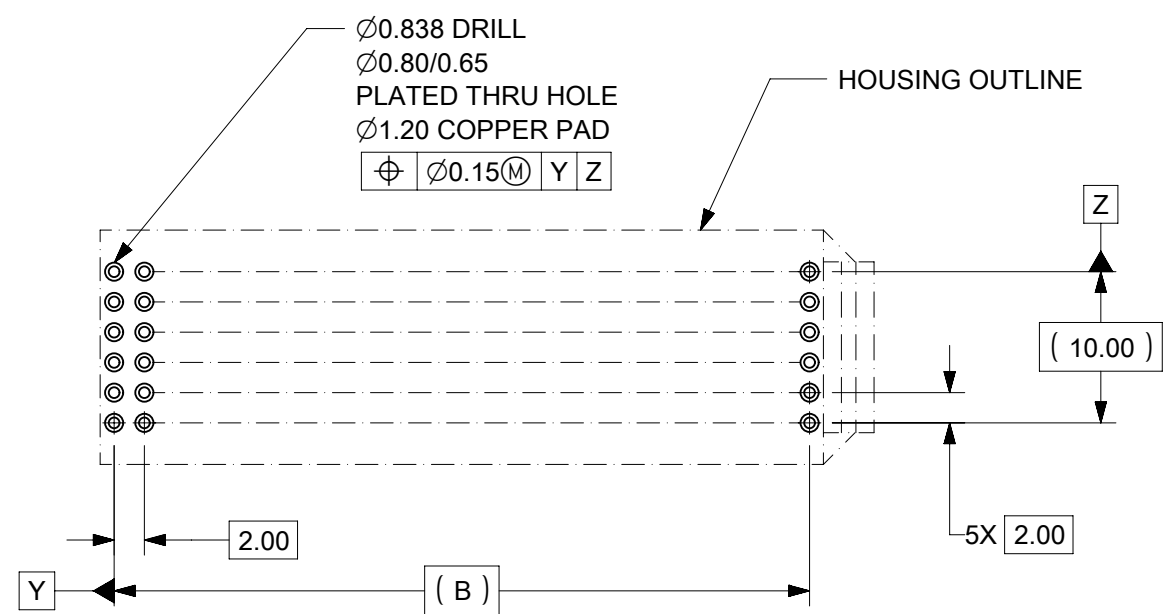


- NOTES:
- MATERIALS: HOUSING--LIQUID CRYSTAL POLYMER (LCP), GLASS FILLED, UL94V-0, COLOR: BLACK, TERMINAL: PHOSPHOR BRONZE.
 - FINISH: 0.75 MICROMETERS MINIMUM SELECTIVE GOLD (Au) IN MATING AREA
2.50 MICROMETERS MINIMUM SELECTIVE TIN (Sn) IN TAIL AREA
NICKEL (Ni) UNDERPLATE OVERALL.
 - THIS PART CONFORMS TO MOLEX PRODUCT SPECIFICATION PS-73670-9999.
 - FOR MIXED CONTACT MATING LENGTHS, CONSULT FACTORY FOR AVAILABILITY.
 - PACKAGE PER PK-70873-0818.
 - PARTS MARKED WITH PART NUMBER AND DATE CODE, ON EITHER SIDE, APPROXIMATELY WHERE SHOWN.



PCB LAYOUT : COMPONENT SIDE
RECOMMENDED PCB THICKNESS : 2.50 MIN

THIS DRAWING CONTAINS INFORMATION THAT IS PROPRIETARY TO MOLEX ELECTRONIC TECHNOLOGIES, LLC AND SHOULD NOT BE USED WITHOUT WRITTEN PERMISSION																							
DIMENSION UNITS	SCALE	CURRENT REV DESC: REACTIVATE AND REMASTERED IN NX																					
mm	2:1	<table border="1"> <tr> <td colspan="2">molex</td> </tr> <tr> <td colspan="2">SALES ASSY HDM BACKPLANE END WALL OPTION SOLDER TAIL VERSION</td> </tr> <tr> <td colspan="2">PRODUCT CUSTOMER DRAWING</td> </tr> <tr> <td>DOCUMENT NUMBER</td> <td>DOC TYPE</td> <td>DOC PART</td> <td>REVISION</td> </tr> <tr> <td>SD-73943-001</td> <td>PSD</td> <td>001</td> <td>J</td> </tr> </table>								molex		SALES ASSY HDM BACKPLANE END WALL OPTION SOLDER TAIL VERSION		PRODUCT CUSTOMER DRAWING		DOCUMENT NUMBER	DOC TYPE	DOC PART	REVISION	SD-73943-001	PSD	001	J
molex																							
SALES ASSY HDM BACKPLANE END WALL OPTION SOLDER TAIL VERSION																							
PRODUCT CUSTOMER DRAWING																							
DOCUMENT NUMBER	DOC TYPE									DOC PART	REVISION												
SD-73943-001	PSD	001	J																				
GENERAL TOLERANCES (UNLESS SPECIFIED)		EC NO: 682438	2021/10/18																				
ANGULAR TOL	± 0.5°	DRWN: SCV	2021/10/22																				
4 PLACES	±	CHKD: JMENDOZA01	2021/10/22																				
3 PLACES	±	APPR: JMENDOZA01	2021/10/22																				
2 PLACES	± 0.05	INITIAL REVISION:																					
1 PLACE	± 0.1	DRWN: RFC_PLMIMP	2018/11/12																				
0 PLACES	±	APPR: SREED	2003/05/15																				
DRAFT WHERE APPLICABLE MUST REMAIN WITHIN DIMENSIONS	THIRD ANGLE PROJECTION	DRAWING	SERIES	MATERIAL NUMBER	CUSTOMER	SHEET NUMBER																	
		B-SIZE	73943	SEE TABLE	GENERAL MARKET	1 OF 2																	

MATERIAL NUMBER ASSIGNMENT

73943- * * 0 0

NUMBER	CIRCUIT SIZE	DIM "A"	DIM "B"	DIM "H"
0	72	27.6	22.00	2.0
1	144	51.6	46.00	2.0
2	72	27.6	22.60	2.5
3	144	51.6	46.00	2.5
4	72	27.6	22.00	3.0
5	144	51.6	46.00	3.0
6	72	27.6	22.00	3.5
7	144	51.6	46.00	3.5

NUMBER	DIM "M"
0	5.0
1	5.5
2	6.0

THIS DRAWING CONTAINS INFORMATION THAT IS PROPRIETARY TO MOLEX ELECTRONIC TECHNOLOGIES, LLC AND SHOULD NOT BE USED WITHOUT WRITTEN PERMISSION													
DIMENSION UNITS	SCALE	CURRENT REV DESC: REACTIVATE AND REMASTERED IN NX											
mm	1:1												
GENERAL TOLERANCES (UNLESS SPECIFIED)		EC NO: 682438 DRWN: SCV 2021/10/18 CHKD: JMENDOZA01 2021/10/22 APPR: JMENDOZA01 2021/10/22 INITIAL REVISION: DRWN: RFC_PLMIMP 2018/11/12 APPR: SREED 2003/05/15				SALES ASSY HDM BACKPLANE END WALL OPTION SOLDER TAIL VERSION							
ANGULAR TOL ± 0.5°						PRODUCT CUSTOMER DRAWING							
4 PLACES ±						DOCUMENT NUMBER		DOC TYPE		DOC PART		REVISION	
3 PLACES ±						SD-73943-001		PSD		001		J	
2 PLACES ± 0.05						MATERIAL NUMBER		CUSTOMER		SEE TABLE		GENERAL MARKET	
1 PLACE ± 0.1													
0 PLACES ±		B-SIZE		73943		2 OF 2							
DRAFT WHERE APPLICABLE MUST REMAIN WITHIN DIMENSIONS		THIRD ANGLE PROJECTION		DRAWING		MATERIAL NUMBER		CUSTOMER					
				B-SIZE		73943		SEE TABLE					