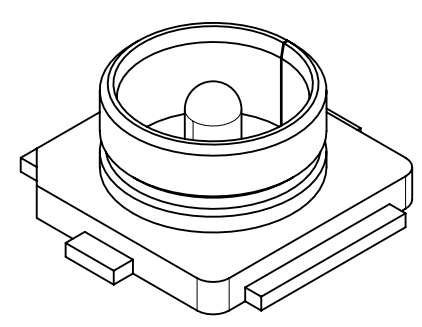


MATERIAL AND FINISHES:

BASE: LCP E6808 UHF
 CONTACT: BRASS
 C2680 (t=0.15)
 PLATED: GOLD (0.03 MICROMETER MINIMUM) OVER
 NICKEL (1~4 MICROMETER)
 OUTER CONTACT: PHOSPHOR BRONZE
 C5191 (t=0.15)
 PLATED: GOLD (0.03 MICROMETER MINIMUM) OVER
 NICKEL (1~4 MICROMETER)

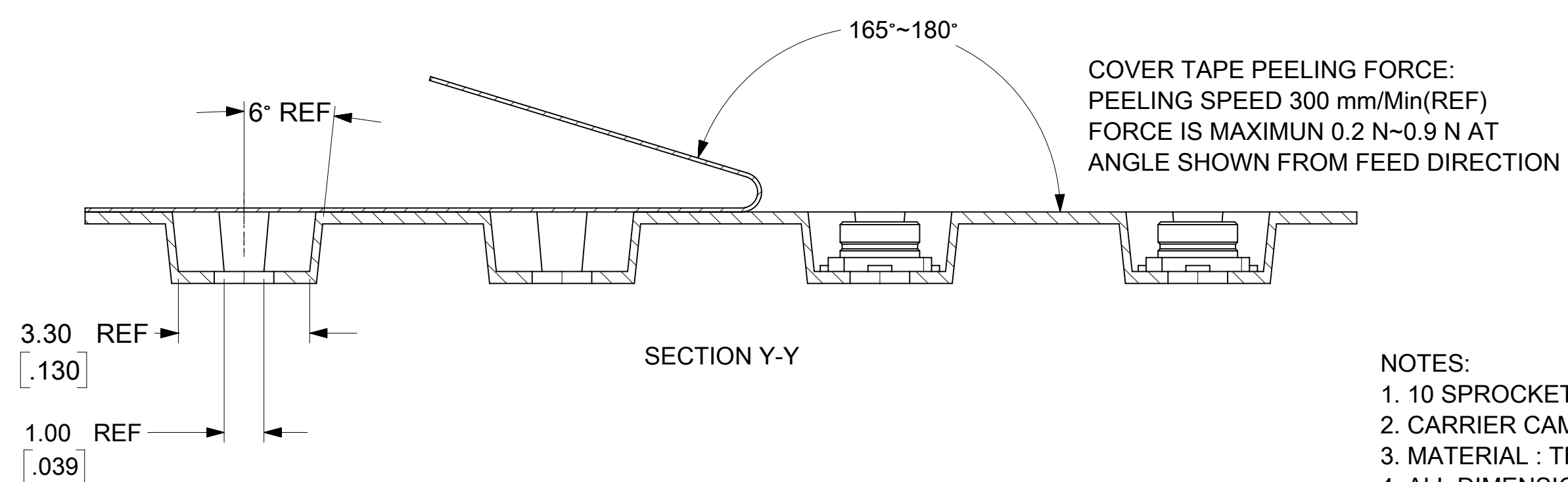
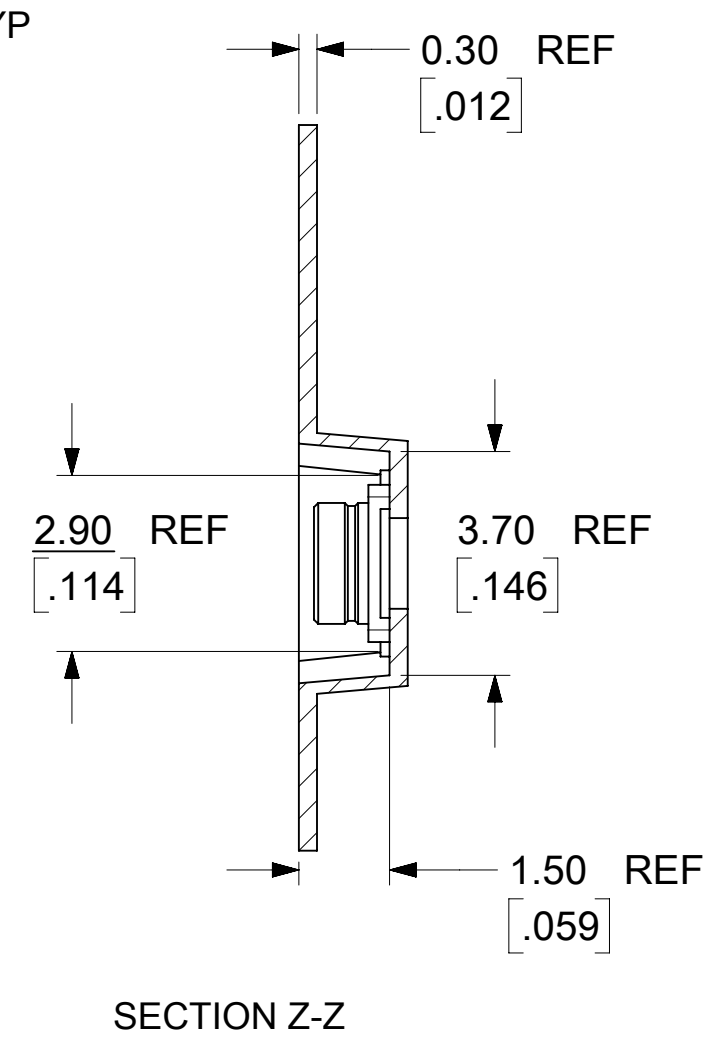
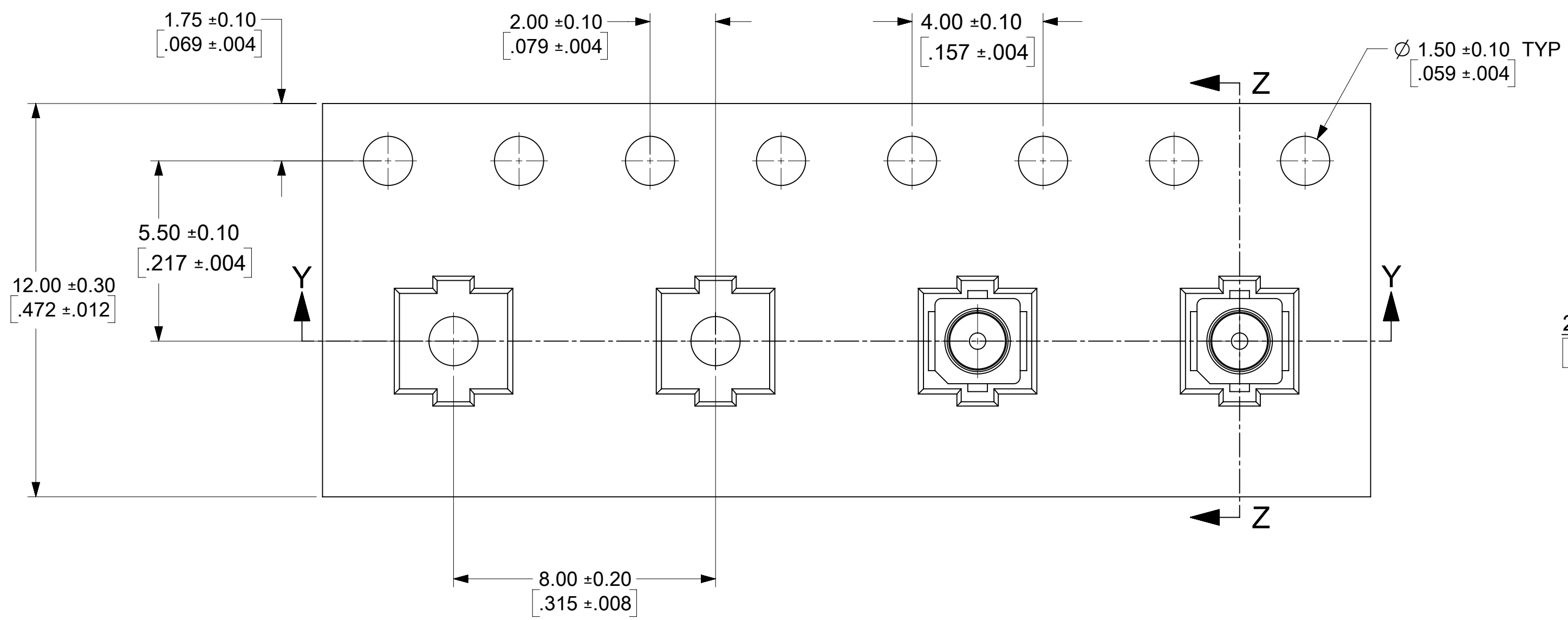
WILL WITHSTAND REFLOW
 TEMPERATURE OF
 260 DEG C 40 SEC MAXIMUM
 VSWR
 DC-6GHz: 1.30 MAX



73412-0116	BAG (500 SETS)
73412-0114	TAPE AND REEL (1K/REEL)
73412-0110	TAPE AND REEL (5K/REEL)
PART NO.	PACKAGING

FUNCTIONAL SYMBOLS		THIS DRAWING CONTAINS INFORMATION THAT IS PROPRIETARY TO MOLEX ELECTRONIC TECHNOLOGIES, LLC AND SHOULD NOT BE USED WITHOUT WRITTEN PERMISSION		CURRENT REV DESC: UPDATED FOR NEW MOLD RER EWR14916-A & PCN511407	
FA = 0	MM/INCH	SCALE	NTS	EC NO: 714253	
EA = 0	GENERAL TOLERANCES (UNLESS SPECIFIED)		DRWN: CWEI02		2021/12/16
EP = 0	ANGULAR TOL ± 2.0°		CHK'D: YCHENG		2022/07/20
DIVISIONAL SYMBOLS		4 PLACES ±		APPR: YCHENG	
		3 PLACES ±		INITIAL REVISION:	
		2 PLACES ± 0.25		DRWN: YCHENG	
		1 PLACE ± 0.13		2005/03/15	
		0 PLACES ±		APPR: MHUANG	
DRAFT WHERE APPLICABLE MUST REMAIN WITHIN DIMENSIONS		THIRD ANGLE PROJECTION	DRAWING	SERIES	DOCUMENT NUMBER
			C-SIZE	73412	SD-73412-011
					DOC TYPE
					DOC PART
					REVISION
					PSD 001 D
					SHEET NUMBER
					1 OF 4

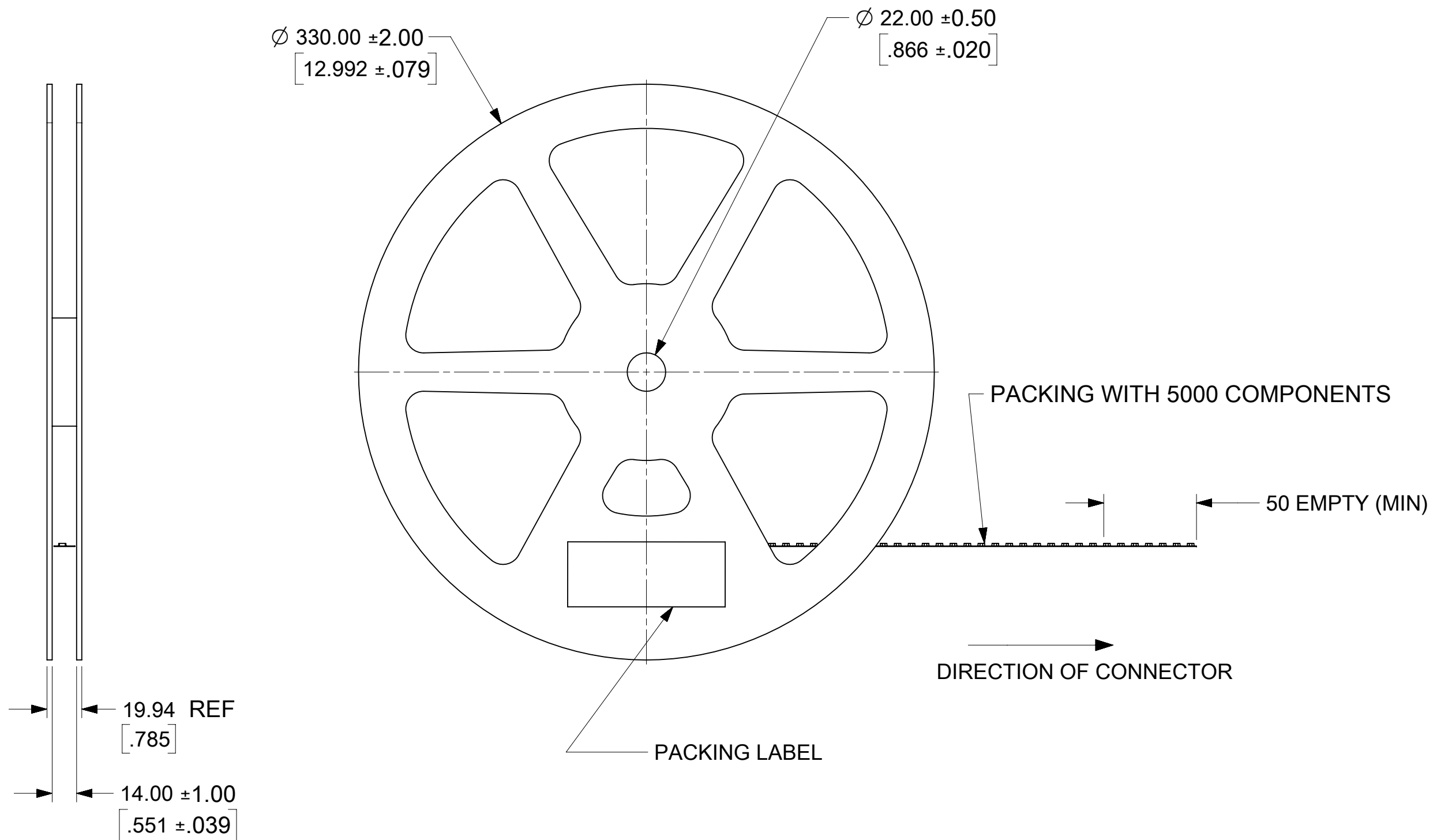
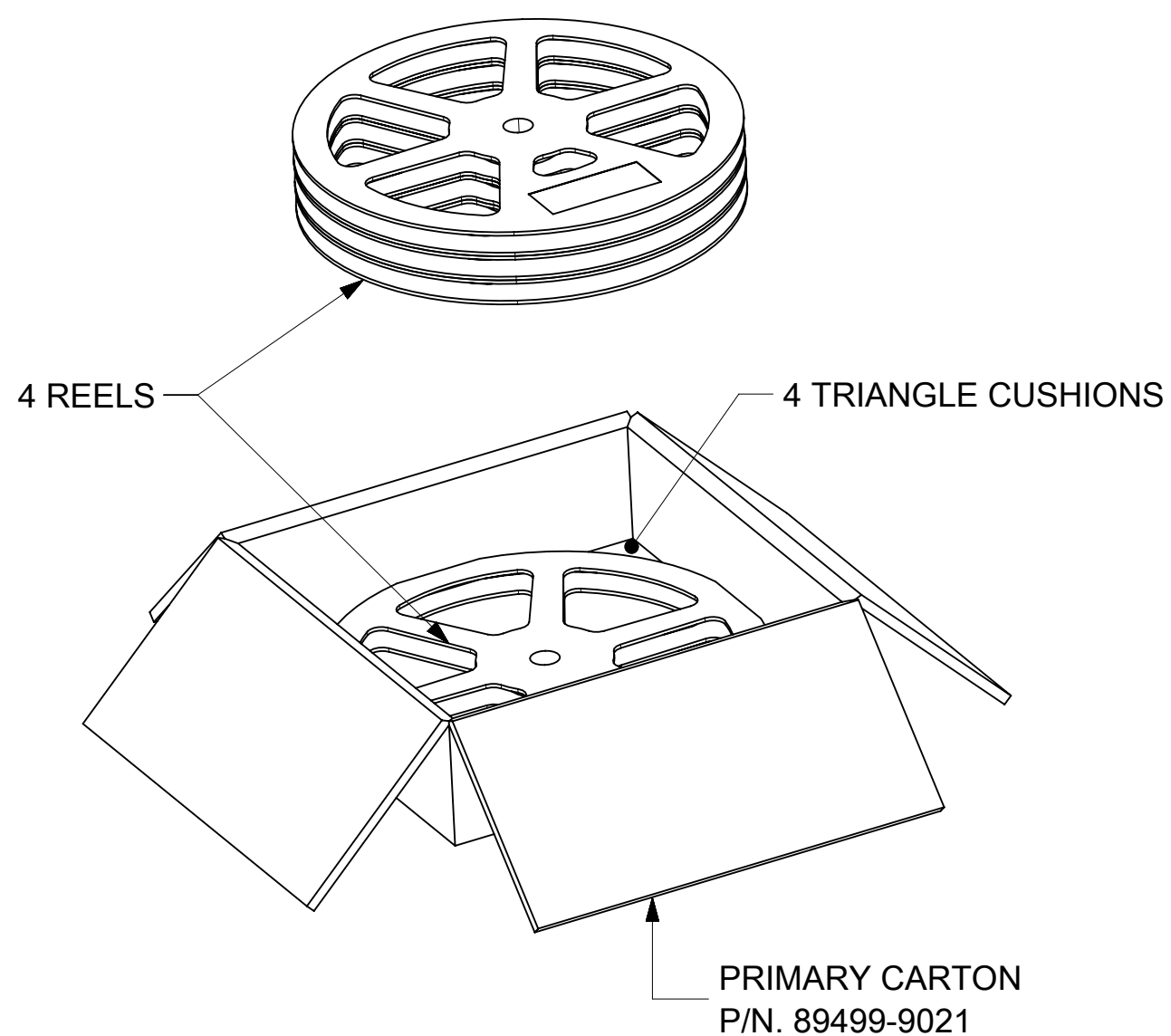
PS-73598-0210	PROD SPEC
SPECIFICATION	DESCRIPTION
DOCUMENT STATUS	P1
RELEASE DATE	2022/07/20 04:31:59



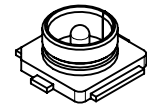
- NOTES:
- 10 SPROCKET HOLE PITCH CUMULATIVE TOLERANCE $\pm 0.20\text{mm}$
 - CARRIER CAMBER IS WITH 1mm IN 250mm
 - MATERIAL : TRANSPARENT POLYSTYRENE
 - ALL DIMENSIONS MEET EIA-481-1 REQUIREMENT
 - COMPONENT LOAD PER 13" REEL (5,000 PCS), COMPONENT LOAD PER 7" REEL (1,000 PCS),

FUNCTIONAL SYMBOLS		THIS DRAWING CONTAINS INFORMATION THAT IS PROPRIETARY TO MOLEX ELECTRONIC TECHNOLOGIES, LLC AND SHOULD NOT BE USED WITHOUT WRITTEN PERMISSION		CURRENT REV DESC: UPDATED FOR NEW MOLD RER EWR14916-A & PCN511407		molex	
$\frac{F}{A} = 0$	MM/INCH	SCALE	NTS	EWR-14242-J ADDED LABEL FORMAT FOR 73412-0116			
$\frac{F}{C} = 0$	GENERAL TOLERANCES (UNLESS SPECIFIED)			EC NO: 714253		MCRF RECEPTACLE VERTICAL MCRF-J	
$\frac{F}{P} = 0$	ANGULAR TOL $\pm 2.0^\circ$			DRWN: CWEI02 2021/12/16		PRODUCT CUSTOMER DRAWING	
DIVISIONAL SYMBOLS		4 PLACES \pm		CHK'D: YCHENG 2022/07/20		DOCUMENT NUMBER	
		3 PLACES \pm		APPR: YCHENG 2022/07/20		SD-73412-011	
		2 PLACES ± 0.25		INITIAL REVISION:		DOC TYPE DOC PART REVISION	
		1 PLACE ± 0.13		DRWN: YCHENG 2005/03/15		PSD 001 D	
		0 PLACES \pm		APPR: MHUANG 2005/03/21		SHEET NUMBER	
DRAFT WHERE APPLICABLE MUST REMAIN WITHIN DIMENSIONS		THIRD ANGLE PROJECTION		DRAWING		MATERIAL NUMBER	
				C-SIZE		SEE TABLE	
				SERIES		CUSTOMER	
				73412		GENERAL MARKET	
						2 OF 4	

NOTE:
FOR 73412-0110 ONLY



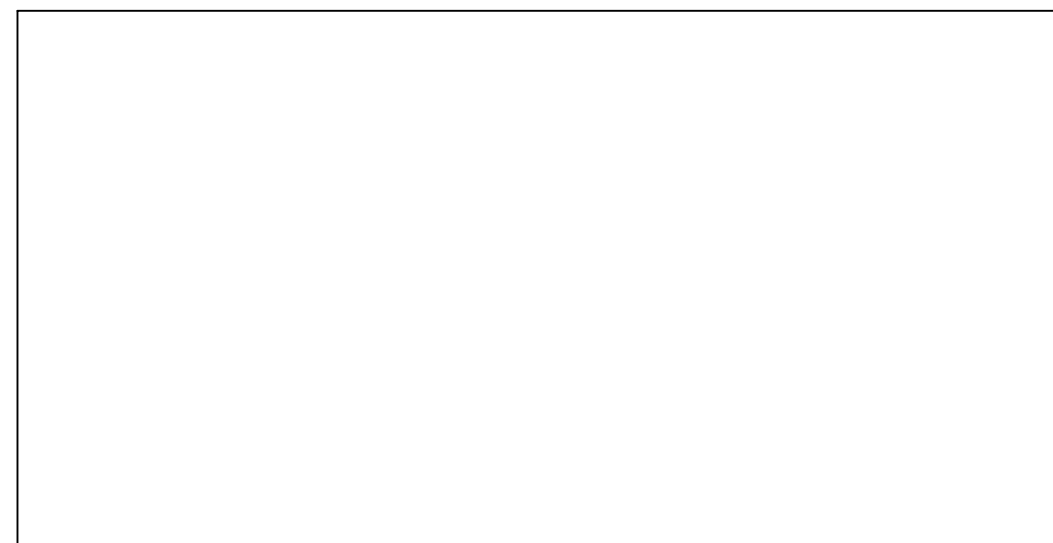
FUNCTIONAL SYMBOLS	THIS DRAWING CONTAINS INFORMATION THAT IS PROPRIETARY TO MOLEX ELECTRONIC TECHNOLOGIES, LLC AND SHOULD NOT BE USED WITHOUT WRITTEN PERMISSION														
	DIMENSION UNITS	SCALE	CURRENT REV DESC: UPDATED FOR NEW MOLD RER EWR14916-A & PCN511407								molex				
$\frac{F}{A} = 0$	MM/INCH	NTS	EWR-14242-J ADDED LABEL FORMAT FOR 73412-0116										MCRF RECEPTACLE VERTICAL MCRF-J		
$\frac{F}{C} = 0$	GENERAL TOLERANCES (UNLESS SPECIFIED)		EC NO: 714253								2021/12/16				
$\frac{F}{P} = 0$	ANGULAR TOL ± 2.0°		DRWN: CWEI02								2022/07/20				
DIVISIONAL SYMBOLS	4 PLACES ±		APPR: YCHENG								2022/07/20				
	3 PLACES ±		INITIAL REVISION:								DOCUMENT NUMBER				
	2 PLACES ± 0.25		DRWN: YCHENG								SD-73412-011				
	1 PLACE ± 0.13		APPR: MHUANG								PSD 001 D				
0 PLACES ±		DRAFT WHERE APPLICABLE MUST REMAIN WITHIN DIMENSIONS		THIRD ANGLE PROJECTION		DRAWING		SERIES		MATERIAL NUMBER		CUSTOMER		SHEET NUMBER	
						C-SIZE		73412		SEE TABLE		GENERAL MARKET		3 OF 4	



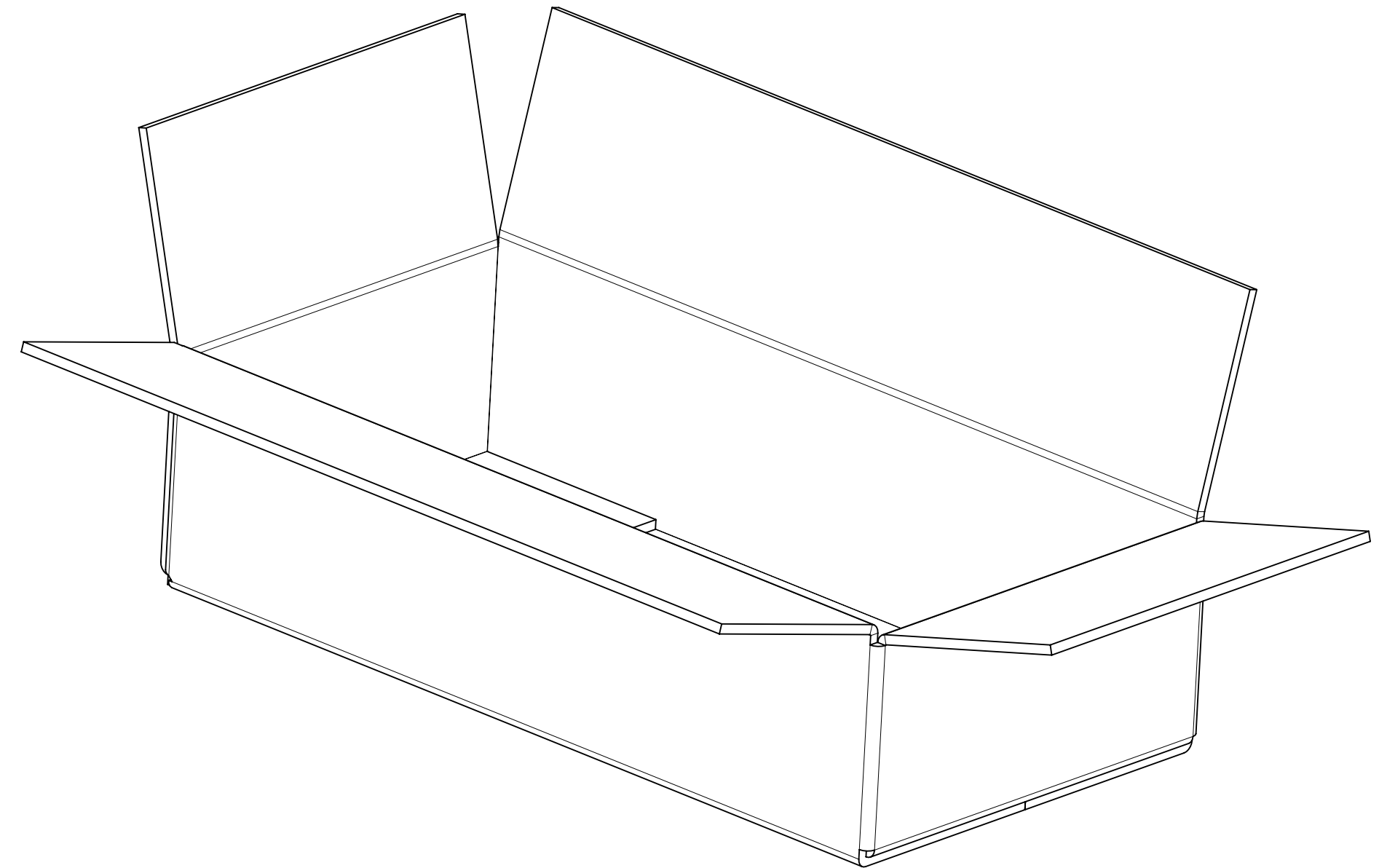
FOR 73412-0116 ONLY



10 SET PER POLYBAG
P/N: 89707-0318

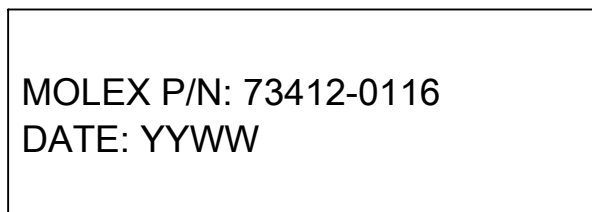


100 SET PER POLYBAG
P/N: 89707-0001



500 SET PER OUTER CARTON BOX
P/N: 96707-0003

LABEL WITH EACH BAG
FOR 73412-0116



FUNCTIONAL SYMBOLS	THIS DRAWING CONTAINS INFORMATION THAT IS PROPRIETARY TO MOLEX ELECTRONIC TECHNOLOGIES, LLC AND SHOULD NOT BE USED WITHOUT WRITTEN PERMISSION												
	DIMENSION UNITS	SCALE	CURRENT REV DESC: UPDATED FOR NEW MOLD RER EWR14916-A & PCN511407							molex			
$\frac{F}{A} = 0$	MM/INCH	NTS	EWR-14242-J ADDED LABEL FORMAT FOR 73412-0116									MCRF RECEPTACLE VERTICAL MCRF-J	
$\frac{F}{C} = 0$	GENERAL TOLERANCES (UNLESS SPECIFIED)		EC NO: 714253							PRODUCT CUSTOMER DRAWING			
$\frac{F}{P} = 0$	ANGULAR TOL $\pm 2.0^\circ$		DRWN: CWEI02				2021/12/16		DOCUMENT NUMBER			DOC TYPE	DOC PART
DIVISIONAL SYMBOLS			4 PLACES \pm		3 PLACES \pm		2022/07/20				SD-73412-011		
			2 PLACES ± 0.25		1 PLACE ± 0.13		2022/07/20		MATERIAL NUMBER				CUSTOMER
			1 PLACE ± 0.13		0 PLACES \pm		INITIAL REVISION:				GENERAL MARKET		
			DRAFT WHERE APPLICABLE MUST REMAIN WITHIN DIMENSIONS		THIRD ANGLE PROJECTION		DRAWING		SERIES				
					C-SIZE		73412						