

WR-187 Waveguide Shim, CPR-187F Flange 4mm Aluminum

Waveguide Accessories Technical Data Sheet

PEW187FS4

Features

- WR-187 Waveguide Shim
- CPR-187F Flange Configuration
- Frequency Range: 3.94 GHz to 5.99 GHz
- 4 mm Thick Aluminum Construction

Description

PEW187FS4 is a WR-187 waveguide shim with operating frequency range from 3.94 GHz to 5.99 GHz. This waveguide shim is fabricated with 4 mm thick aluminum by high precision manufacturing process. PEW187FS4 can be used to bridge gaps between WR-187 waveguide components with CPR-187F Flanges. Pasternack offers wide selection of waveguide components with high performance available in stock and same-day shipping to customers worldwide.

Electrical Specifications

Description	Minimum	Typical	Maximum	Units
Frequency Range	3.94		5.99	GHz

Mechanical Specifications

Body Material	Aluminum
Body Finish	Chromate conversion
Length	0.157 in [3.99 mm]
Width	3.5 in [88.9 mm]
Height	2.5 in [63.5 mm]
Weight	0.441 lbs [200.03 g]

Compliance Certifications (see [product page](#) for current document)

WR-187 Waveguide Shim, CPR-187F Flange 4mm Aluminum from Pasternack Enterprises has same day shipment for domestic and International orders. Our RF, microwave and millimeter wave products maintain a 99.4% availability and are part of the broadest selection in the industry.

Click the following link (or enter part number in "SEARCH" on website) to obtain additional part information including price, inventory and certifications: [WR-187 Waveguide Shim, CPR-187F Flange 4mm Aluminum PEW187FS4](#)

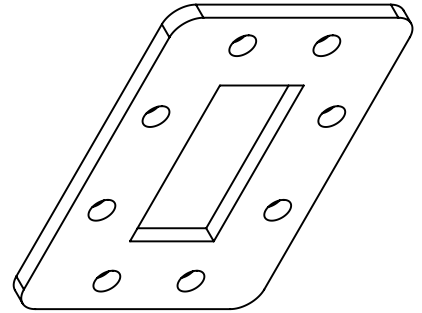
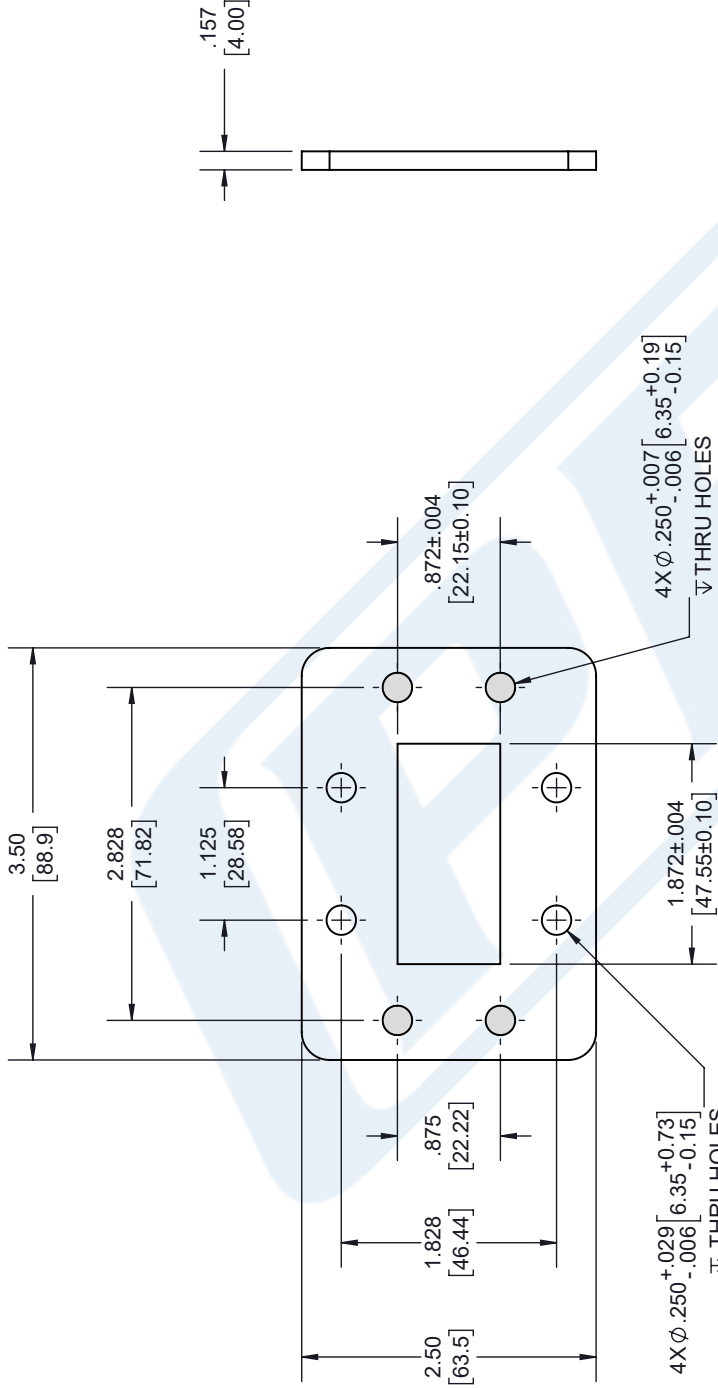
URL: <https://www.pasternack.com/wr-187-waveguide-shim-2-mm-aluminum-cpr-187f-pew187fs4-p.aspx>

The information contained in this document is accurate to the best of our knowledge and representative of the part described herein. It may be necessary to make modifications to the part and/or the documentation of the part, in order to implement improvements. Pasternack reserves the right to make such changes as required. Unless otherwise stated, all specifications are nominal. Pasternack does not make any representation or warranty regarding the suitability of the part described herein for any particular purpose, and Pasternack does not assume any liability arising out of the use of any part or documentation.

PEW187FS4 CAD Drawing

WR-187 Waveguide Shim, CPR-187F Flange 4mm Aluminum

REVISIONS		
REV.	DESCRIPTION	DATE
A	INITIAL RELEASE	4/13/2022
		APPROVED
		S. PONG



UNLESS OTHERWISE SPECIFIED LEADING DIMENSIONS ARE INCHES DIMENSIONS IN [] ARE MILLIMETERS

TOLERANCES:

.X = ±.2 [5.08] FRACTIONS ± 1/32
 .XX = ±.02 [.51] ANGLES ± 1°
 .XXX = ±.005 [.13]

CABLE LENGTH (L), TOLERANCES:
 L ≤ 12 [305] = +1 [25] / -0
 12 [305] < L ≤ 60 [1524] = +2 [51] / -0
 60 [1524] < L ≤ 120 [3048] = +4 [102] / -0
 120 [3048] < L ≤ 300 [7620] = +6 [152] / -0
 300 [7620] < L = +5% / -0

ALL DIMENSIONS SHOWN ARE FOR REFERENCE ONLY.

THIRD-ANGLE PROJECTION

THE INFORMATION AND DESIGN IN THIS DOCUMENT IS THE PROPERTY OF PASTERNAK CORPORATION ALL RIGHTS RESERVED.

SHEET 1 OF 1

SCALE N/A

(PE) PASTERNAK®
 an INFINITE® brand

Pasternack Enterprises, Inc.
 P.O. Box 16759, Irvine, CA 92623.
 Phone: 1.949.261.1920 | 1.866.727.8376
 Fax: 1.949.261.7451
 Website: www.pasternack.com
 E-mail: sales@pasternack.com

SIZE A CAGE CODE 53919 DRAWN BY K.DANG ITEM NO. PEW187FS4 REV A

THESE COMMODITIES, TECHNOLOGY OR SOFTWARE WERE EXPORTED FROM THE UNITED STATES IN ACCORDANCE WITH THE EXPORT ADMINISTRATION REGULATIONS. DIVERSION CONTRARY TO U.S. LAW PROHIBITED.