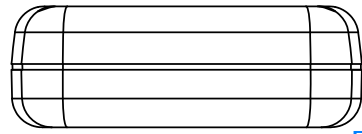
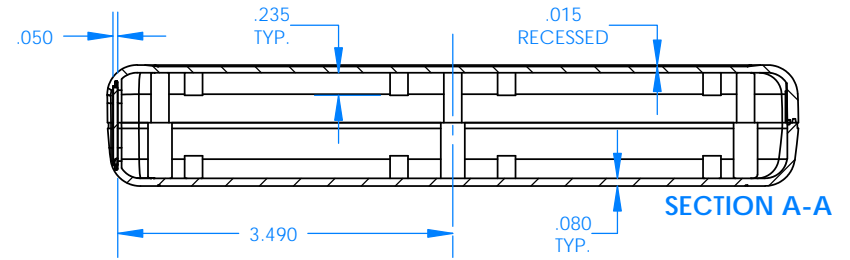


SERPAC H75

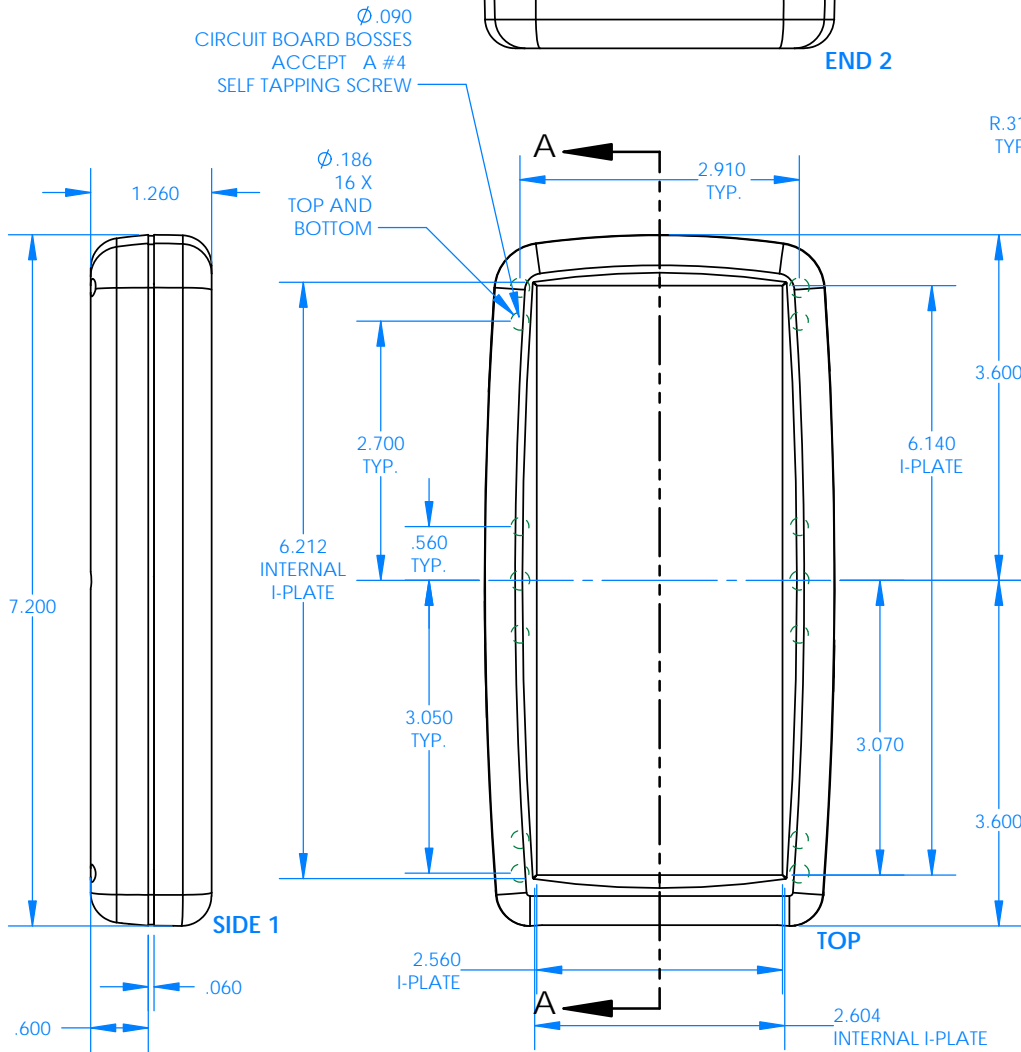
Electronic Enclosures



END 2



SECTION A-A



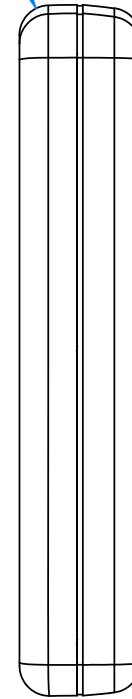
Ø.090
CIRCUIT BOARD BOSES
ACCEPT A #4
SELF TAPPING SCREW

Ø.186
16 X
TOP AND
BOTTOM

SIDE 1

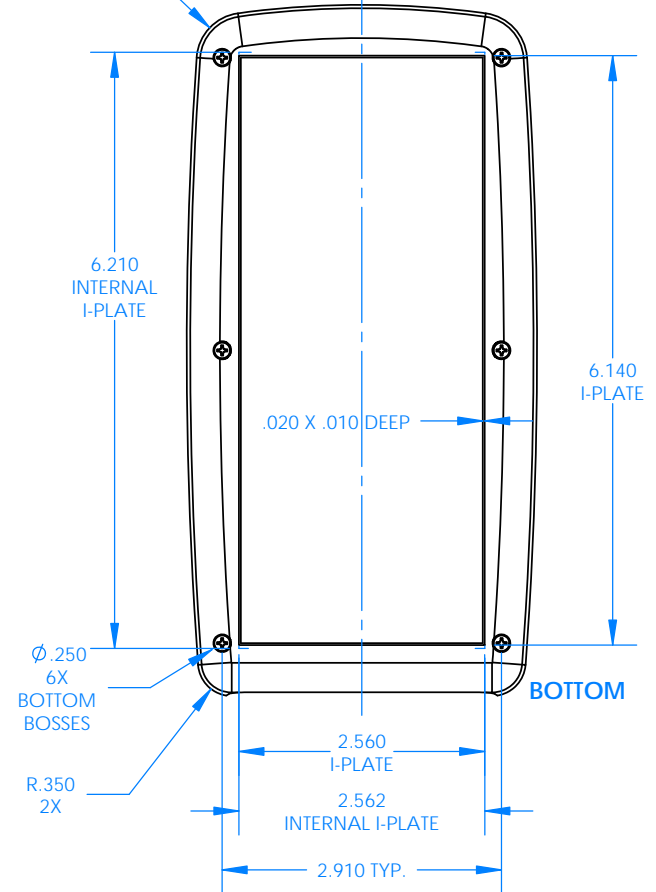
TOP

R.313
TYP.

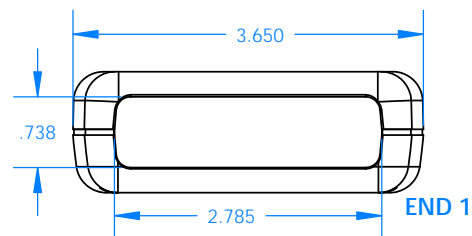


SIDE 2

R.500
2x

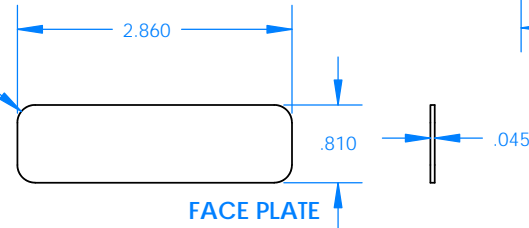


BOTTOM



END 1

R.185
4X



FACE PLATE

ALL DIMENSIONS ARE ± .010" 7/8/2014
2009 Wright Ave. La Verne, CA 91750
Ph. (626) 331-0517 Fx. (626) 331-8584 serpac.com