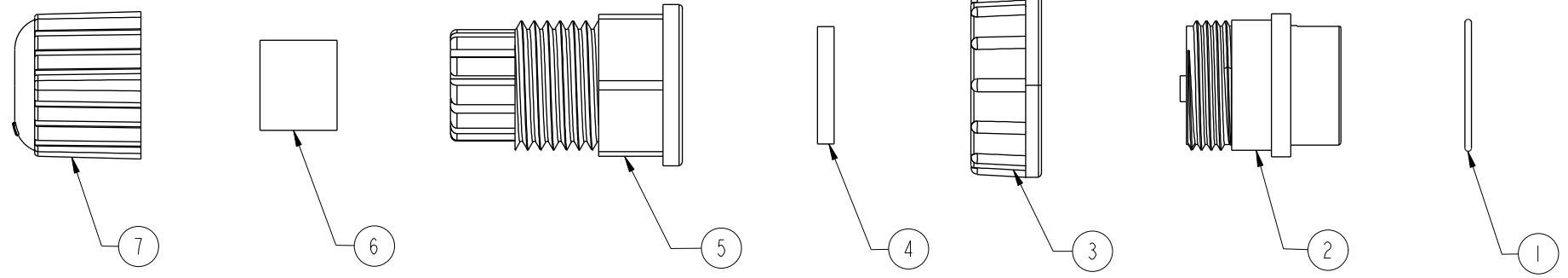
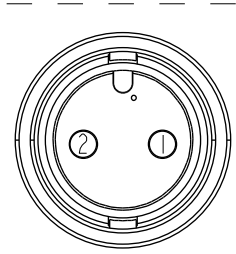


REV.	ECN NO.	DATE	SIGN	DESCRIPTION
B	LEN-870145	2008/07/25	Yuri	Update Drawing

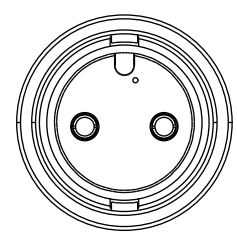
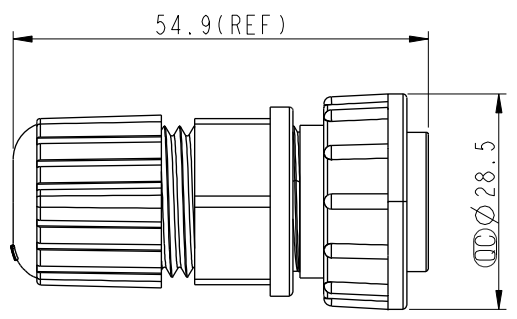
ALTW
DCC. DEPT.
CONFIDENTIAL
2012-06-13
ISSUED



ALTW
CONFIDENTIAL
2012-05-03
R&D DEPT.



Pin Assignments
Front View



Conn.

Notes:

- * \varnothing Important Dimension To Check.
- * Waterproof Rate: IP67
- * Housing: Black, Nylon+GF
- * Pin: Copper Alloy, Gold Plated
- * Nut: Black, Nylon+GF
- $\triangle B$ * Gasket: Black, Silicone
- * Ring: Black, EPDM
- * Clamp Ring: Black, Nylon
- $\triangle B$ * Seals: Black, EPDM
- * Sealing Nut: Black, Nylon
- * Seal For Cable OD: \varnothing 5.5mm~10.8mm
- * One Set Unassembled In One PE Bag

A	UNIT:mm			TITLE Large Assy Lock 2Pin F Conn F Pin			ITEM NO DC-02BFFA-LL7001	DRAWN BY SamChang	DATE 2012-05-03
	TOLERANCE .X ±0.25 .XX ±0.1 .XXX ±0.05 ANGLES ±1°	SCALE 1:1	SIZE A4	SHEET 1	OF 1	DWG NO DC-02BFFA-LL7001	CHECKED BY Jeffrey	DATE 2012-06-13	
	REV. B	WC-REV. A.2	\varnothing : Inspection item			CUSTOMER ALTW	APPROVED BY Lion	DATE 2012-06-13	
	Amphenol LTW 安費諾亮泰企業股份有限公司							8 FMM10702-01-02A1	

THIS DOCUMENT IS SUBJECT TO CHANGE WITHOUT NOTICE. IT IS CONFIDENTIAL AND A PROPERTY OF AMPHENOL LTW. DISCLOSURE TO THIRD PARTY HAS TO BE AUTHORIZED BY AMPHENOL LTW.