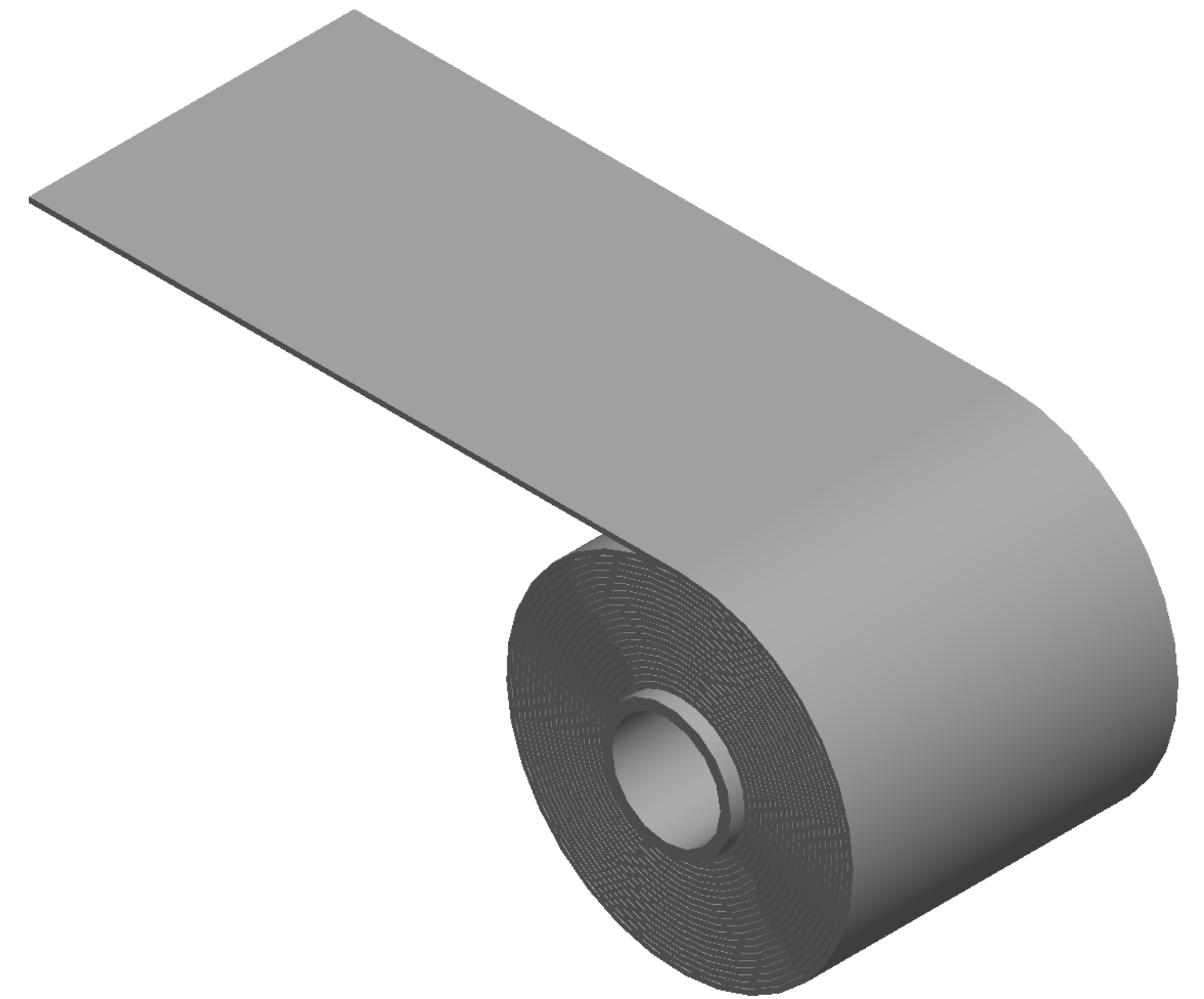
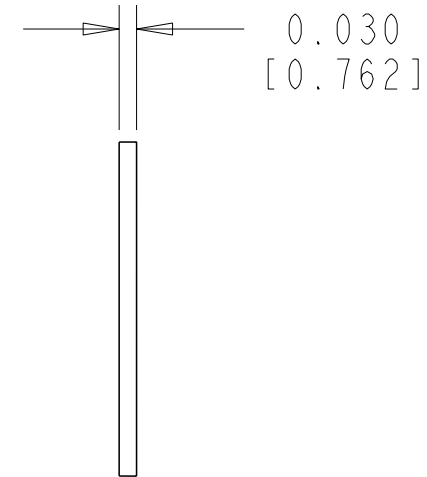
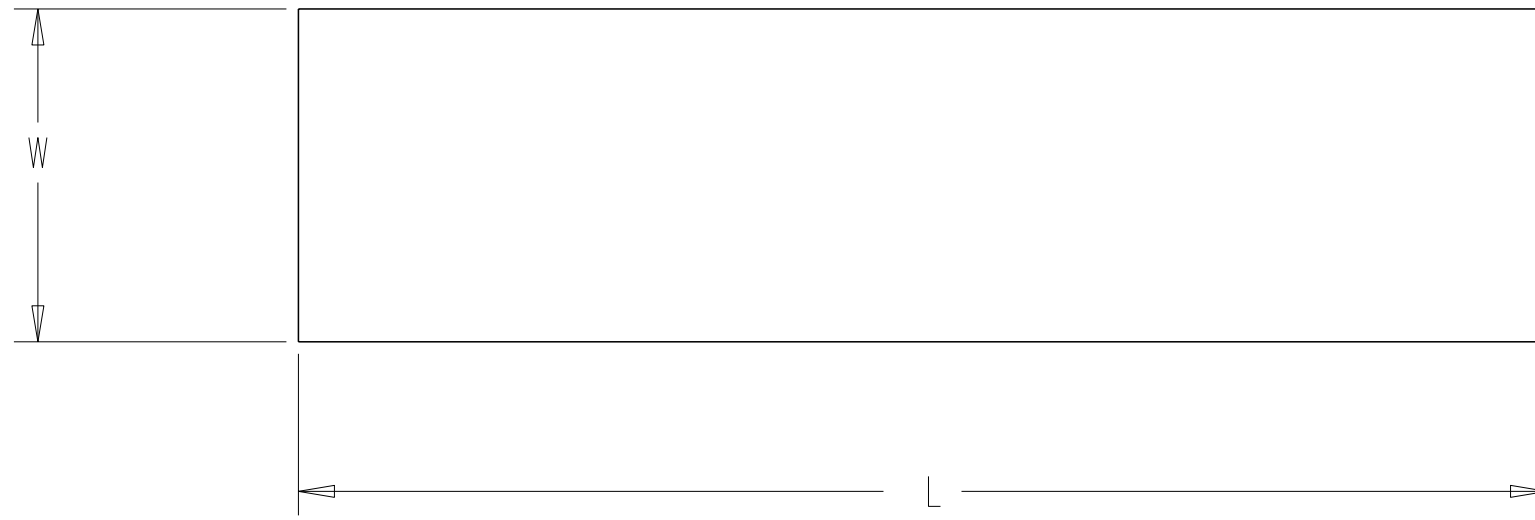


REVISIONS

P	LTR	DESCRIPTION	DATE	DWN	APVD
	A	INITIAL RELEASE	24APR2020	AS	LH




Product Description	Supplied Length: L m (Yards)	Width: W mm(in)	Color	Std Pack
MVFT-G-2-12(B4)	11 (12)	50 (2)	Gray	4 Rolls
MVFT-50-6400	6.4 (7)	50 (2)	Red	1

NOTES:

1. THE SHELF LIFE OF THIS PRODUCT IS 2 YEARS FROM DATE OF MANUFACTURE.
2. ALL OTHER INFORMATION CAN BE FOUND ON DATA SHEET EPP-2644-7/18-EN

TCPN
CN5708-000

THIS DRAWING IS A CONTROLLED DOCUMENT.		DWN A. SABARAD 24APR2020	 TE Connectivity															
DIMENSIONS: INCH(MM)		CHK S. LIGHT 24APR2020																
TOLERANCES UNLESS OTHERWISE SPECIFIED:		APVD L. HILLER 24APR2020	NAME MVFT MEDIUM VOLTAGE FUSION TAPE															
<table border="0"> <tr> <td>0 PLC</td> <td>±</td> </tr> <tr> <td>1 PLC</td> <td>±</td> </tr> <tr> <td>2 PLC</td> <td>±</td> </tr> <tr> <td>3 PLC</td> <td>±</td> </tr> <tr> <td>4 PLC</td> <td>±</td> </tr> <tr> <td>ANGLES</td> <td>±</td> </tr> <tr> <td>FINISH</td> <td>±</td> </tr> </table>		0 PLC	±	1 PLC	±	2 PLC	±	3 PLC	±	4 PLC	±	ANGLES	±	FINISH	±	PRODUCT SPEC -	SIZE A2	RESTRICTED TO -
0 PLC	±																	
1 PLC	±																	
2 PLC	±																	
3 PLC	±																	
4 PLC	±																	
ANGLES	±																	
FINISH	±																	
MATERIAL -	FINISH -	APPLICATION SPEC -	CAGE CODE 00779	DRAWING NO E00000857														
CUSTOMER DRAWING		WEIGHT -	SCALE NTS	SHEET 1 OF 1														