

NOTES:

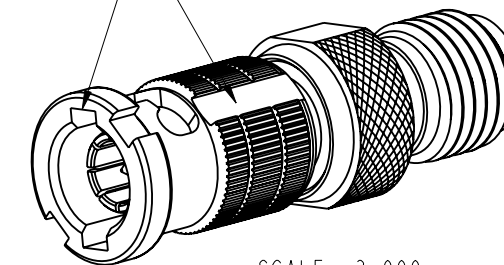
1. MATERIALS AND FINISHES:  
 BODY AND BAYONET SLEEVE - BRASS, NICKEL PLATING  
 OUTER CONTACT - BeCu, NICKEL PLATING  
 CONTACT - BeCu, GOLD PLATING  
 INSULATOR - PTFE, NATURAL
2. ELECTRICAL:  
 A. IMPEDANCE: 50 OHM  
 B. FREQUENCY RANGE: DC - 6 GHz  
 C. VSWR: 1.05 MAX @ 6 GHz
3. MECHANICAL:  
 A. DURABILITY: 500 CYCLES MIN.  
 B. TEMPERATURE RANGE: -65° C TO +165° C
4. PACKAGING:  
 A. QUANTITY: SINGLE PACK  
 B. MARKING: BAG TO BE MARKED:  
 "AMPHENOL RF, APH-HDBNCP-SMAJ DATE CODE"  
 U.S. PATENT NO. 7,553,177"
5. HIGH DENSITY INSTALLATION/REMOVAL TOOL: AMPHENOL 227-T2000

THIRD ANGLE PROJ.

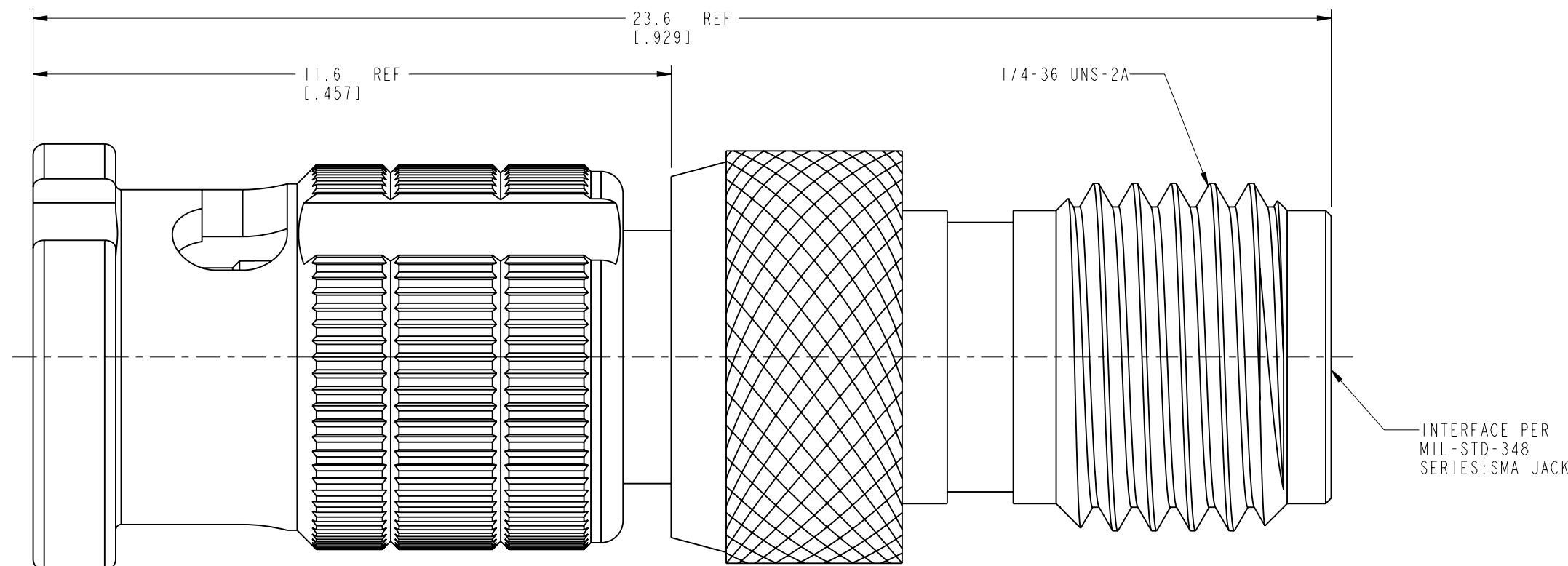
REVISIONS

REV	DESCRIPTION	DATE	ECO	APPR
A	RELEASE TO MFG.	14-Apr-12	49026	IX
B	COUPLING MECHANISM UPDATED	22-May-13	49538	SH

STUD LOCATING AND INSTALLATION/REMOVAL TOOL GROOVES



SCALE 3.000



**PROTECTED UNDER U.S. PATENT # 7,553,177**

**CUSTOMER OUTLINE DRAWING**

ALL OTHER SHEETS ARE FOR INTERNAL USE ONLY

UNLESS OTHERWISE SPECIFIED, DIMENSIONS ARE IN METRIC AND TOLERANCES ARE:  
 <0.5mm ±0.05mm    0.5 - 6mm ±0.1mm    6 - 30mm ±0.2mm    30 - 120mm ±0.3mm    ANGLES ±1°

NOTICE - These drawings, specifications, or other data (1) are, and remain the property of Amphenol corp. (2) must be returned upon request; and (3) are confidential and not to be disclosed to any person other than those to whom they are given by Amphenol Corp. the finishing of these drawings, specifications, or other data by Amphenol Corp., or to any other person to anyone for any purpose is not to be regarded by implication or otherwise in any manner licensing, granting rights to permitting such holder or any other person to manufacture, use or sell any product, process or design, patented or otherwise, that may in any way be related to or disclosed by said drawings, specifications, or other data.

MATERIAL SEE NOTES	DRAWN T. DENG	DATE 22-May-13	TITLE HD BNC PLUG TO SMA JACK 50 OHM ADAPTER	Amphenol RF www.amphenolrf.com	
	ENGINEER A ARUN PRABU	DATE 13-Jun-11			
	REFERENCE EAR # 4800	APPROVED S. HSIEH	DATE 22-May-13	SCALE: 11.0:1.0   SHEET 2 OF 2	DRAWING NO. APH-HDBNCP-SMAJ
	CONFIGURATION LEVEL:	CAD FILE	DWG SIZE B	REV B	ITEM NO. APH-HDBNCP-SMAJ PART NO. APH-HDBNCP-SMAJ