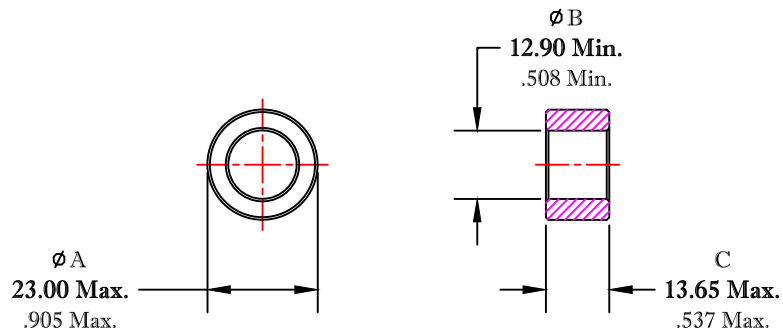


** Not all features are shown in this drawing. For more detailed information, please contact your Fair-Rite representative.

UNCONTROLLED ~CATALOG~ DRAWING

SIZE	PART NO.	REV.
B	5975007621	~



AFTER COATING

DIMENSIONS
BOLD NUMBERS ARE IN MILLIMETERS
 LIGHT NUMBERS ARE IN INCHES

ELECTRICAL SPECIFICATIONS						
$\Sigma l/A(mm^{-1})$	$l_e (mm)$	$A_e (mm^2)$	$V_e (mm^3)$	$L_o (nH)$	$A_L (nH)$ @10 kHz <10gauss	$\tan \delta/\mu_1$ @100 kHz 1gauss
1.0346	54.14	52.3	2833	1.215	6100 ^{+20%} _{-25%}	$\leq 20 \times 10^{-6}$

NOTES:

- 1 - THIS PART TO BE THERMOSET PLASTIC COATED, USE APPROVED FR# 5975007601.
- 2 - COATING THICKNESS = 0.25mm [.010"] MAX.
- 3 - COATED TOROID TO WITHSTAND A MINIMUM BREAKDOWN VOLTAGE OF 1000 Vrms, WHEN UNIFORMLY APPLIED ACROSS THE "C" DIMENSION.

FR# 75

FAIR-RITE PRODUCTS CORP.						
TITLE COATED TOROID						
DRAWN BY J.SERENCISCS	DATE 07-18-2018	SIZE	PART NO.	REV.		
CHKD BY		B	5975007621	~		
APPRVD BY		SCALE	NONE	SHEET	1 of 1	