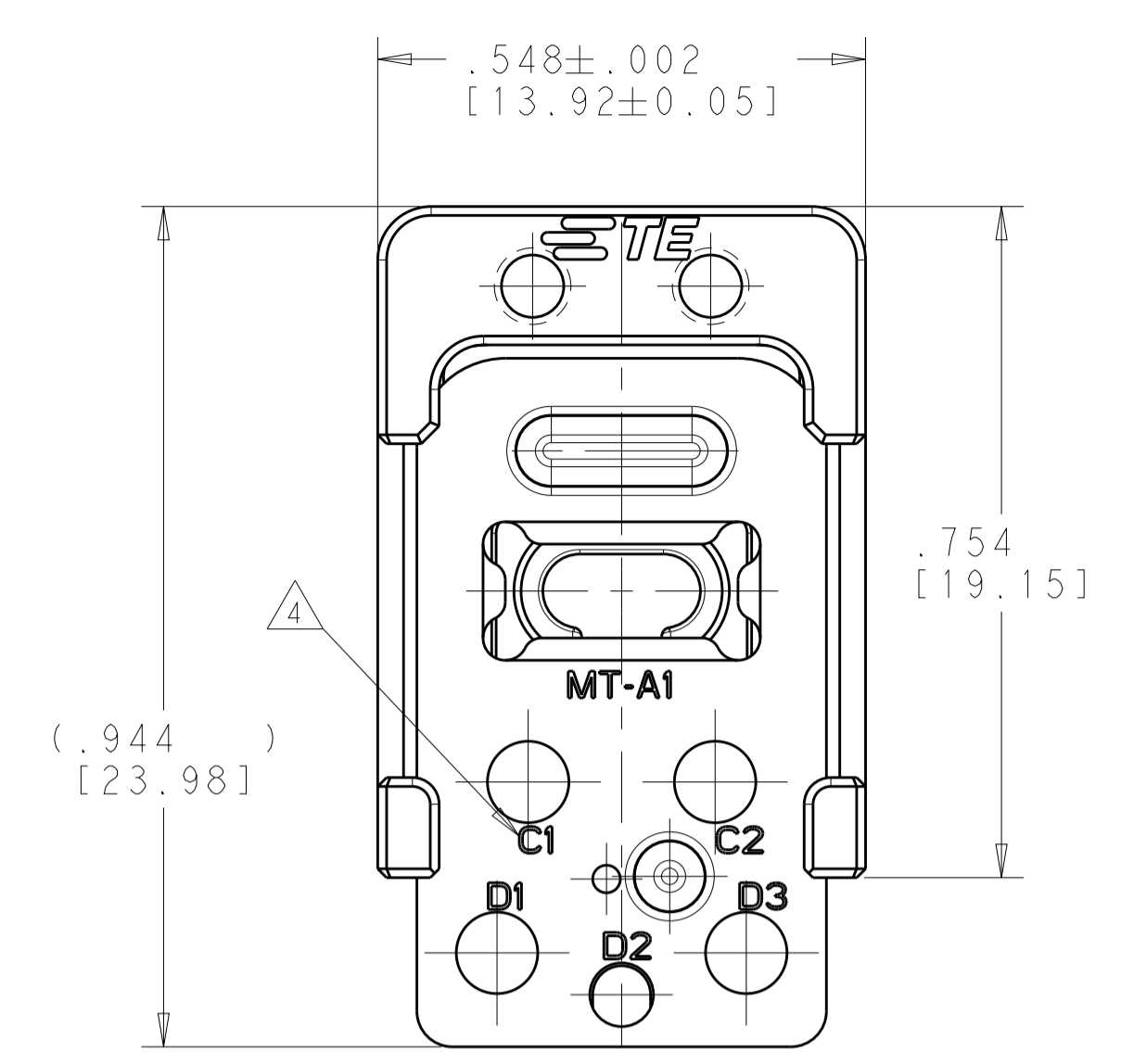
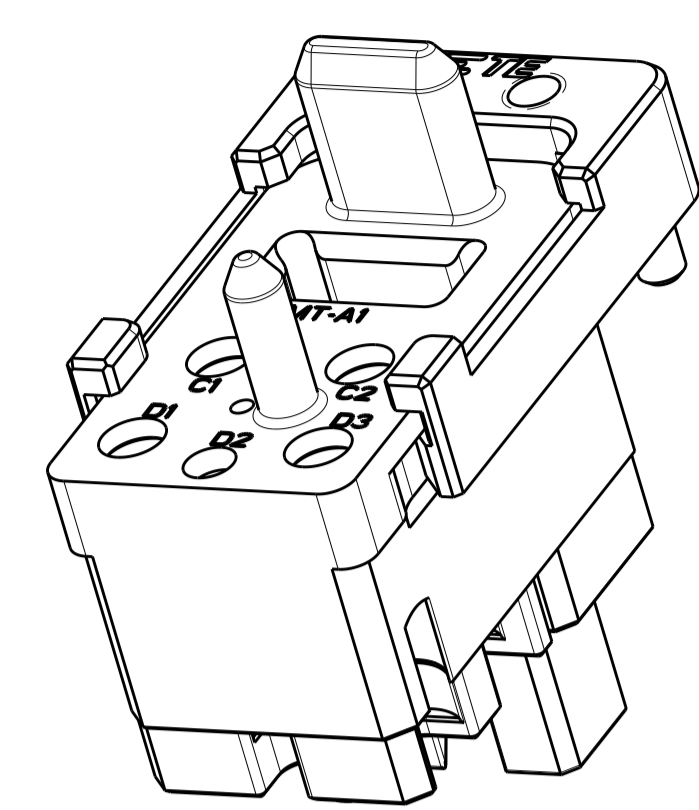


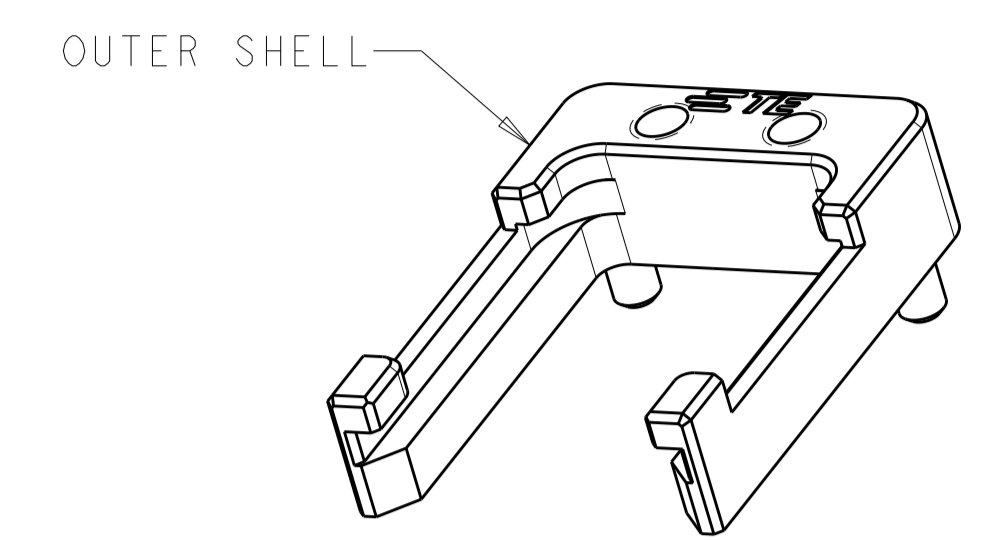
REVISIONS				
P.	LTN	DESCRIPTION	DATE	DMN APVD
A		RELEASED PER ECO-20-017928	15DEC2020	KM CG



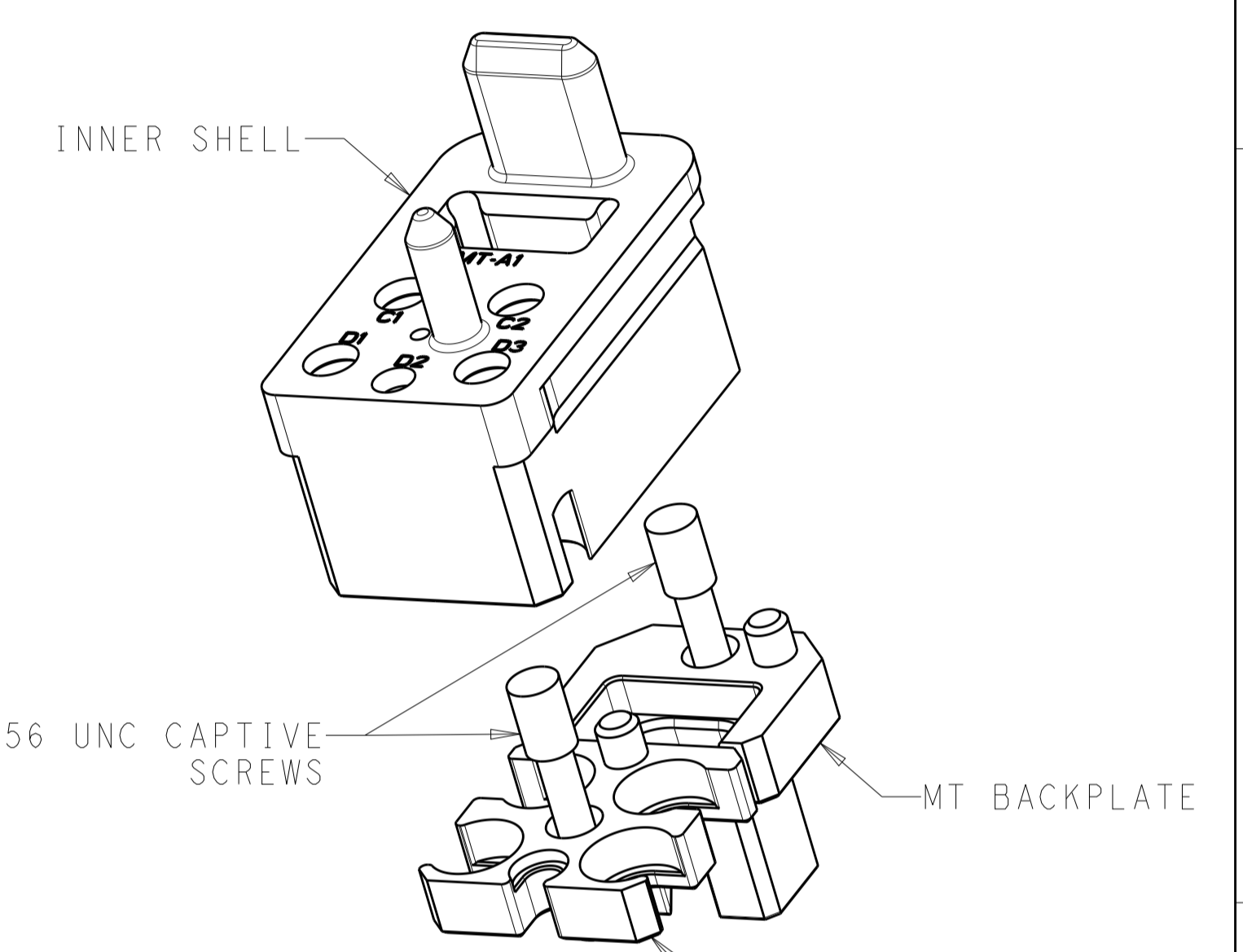
CIRCUIT	CABLE SIZE
MT-A1	-
C1, C2	.086
D1, D3	.086
D2	.047



SCALE 4:1



OUTER SHELL



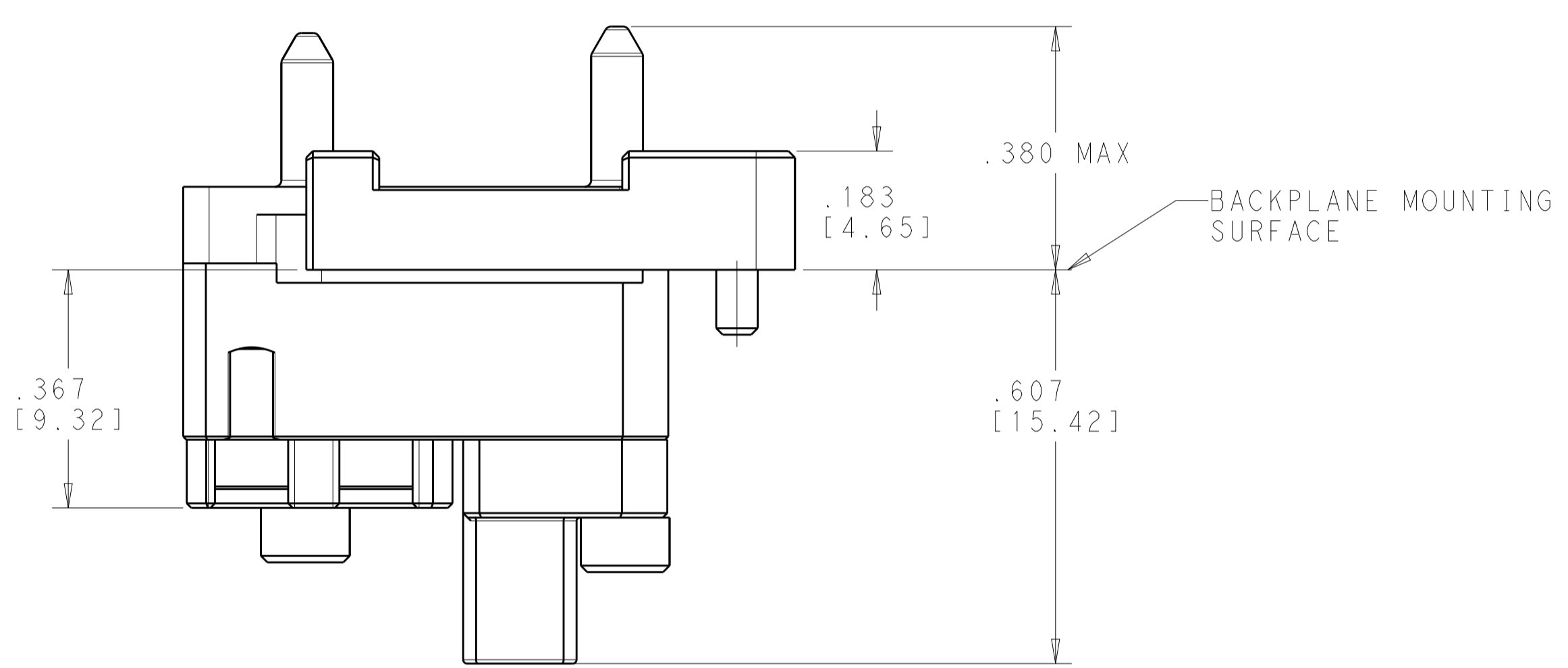
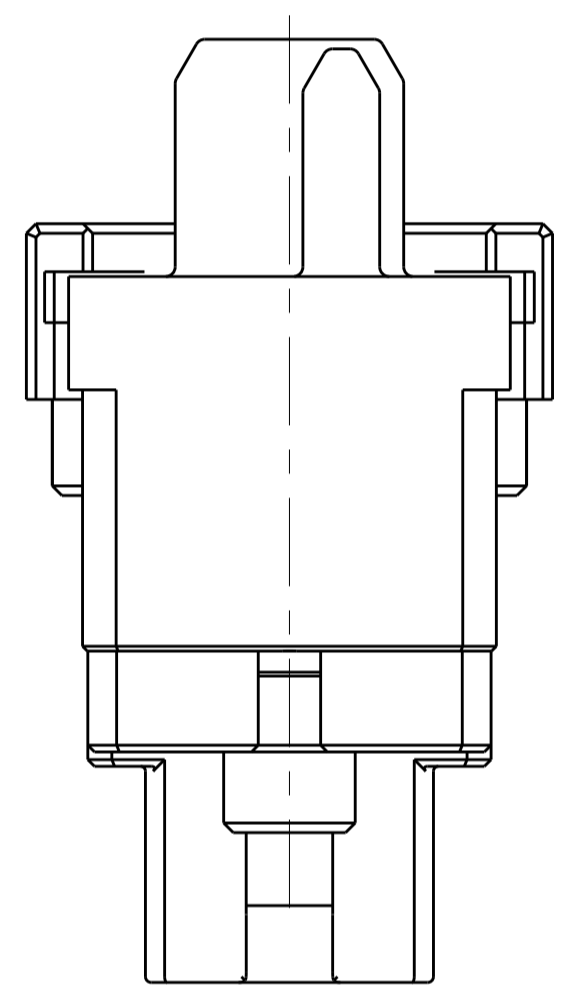
INNER SHELL

2-56 UNC CAPTIVE SCREWS

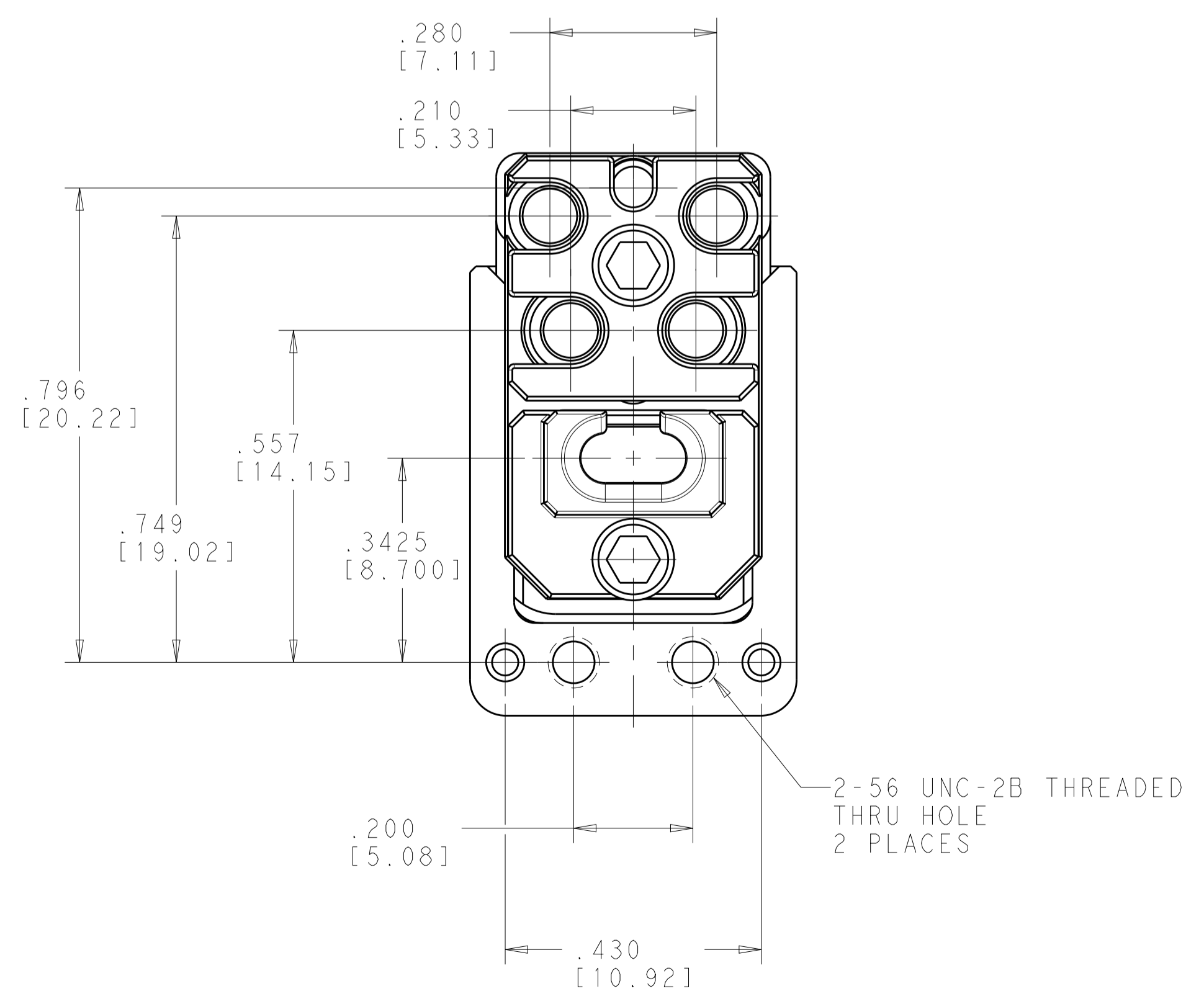
MT BACKPLATE

RF BACKPLATE

SCALE 4:1



BACKPLANE MOUNTING SURFACE

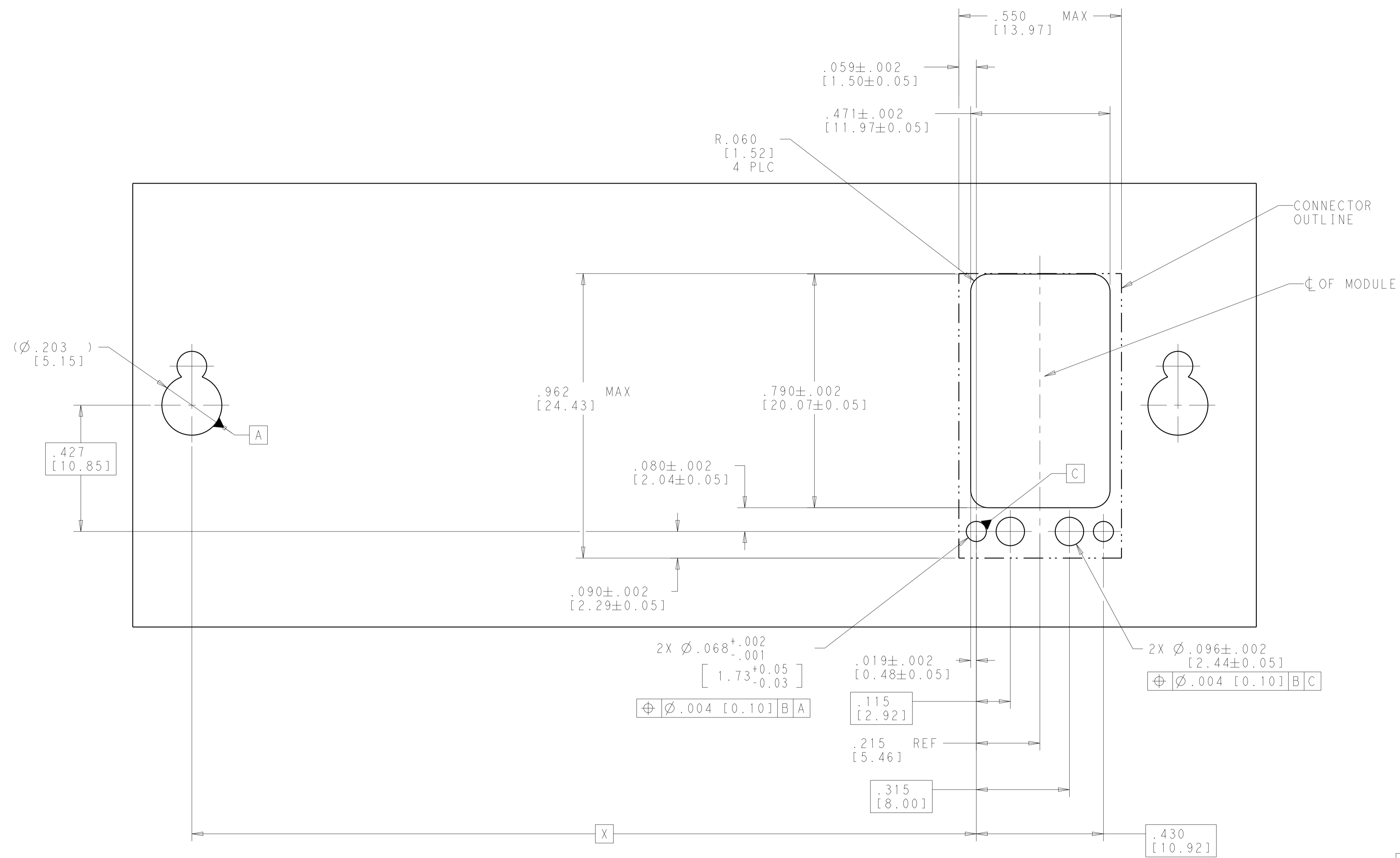


- 1 MATERIAL:  
OUTER SHELL, INNER SHELLS AND BACKPLATES - ALUMINUM ALLOY  
SCREWS - 300 SERIES STAINLESS STEEL
- 2 FINISH:  
OUTER SHELL, INNER SHELLS AND BACKPLATES - CLEAR CHROMATE CONVERSION COATING  
SCREWS - PASSIVATED
- 3. SHIPPED IN KIT FORM. BACKPLATE SCREWS TO BE ASSEMBLED TO BACKPLATE.
- 4 CIRCUIT IDENTIFICATION MARKING
- 5. DESIGNED TO BE USED WITH NanoRF CONTACTS 2302345-1 (.047 CABLE) AND 2332772-1 (.086 CABLE) AND MT FERRULE KIT 2332756-1 (12 FIBER) OR 2332756-2 (24 FIBER) ORDERED SEPARATELY.
- 6 PRODUCT SPEC:  
NanoRF: 108-163006  
MT FIBER OPTIC: 108-163029
- 7 APPLICATION SPEC:  
NanoRF: 408-163016  
MT FIBER OPTIC: 114-163023

2358431-1  
PART NUMBER

THIS DRAWING IS A CONTROLLED DOCUMENT.		DMN R. MILLER CHK C. GINGRICH	08JUL2019 12AUG2019	TE Connectivity	
DIMENSIONS: INCHES/mm	TOLERANCES UNLESS OTHERWISE SPECIFIED:	PRODUCT SPEC	NAME	NanoRF MODULE, BACKPLANE, F/O WITH 4 POSITION .086 CABLE PLUS 1 POSITION .047 CABLE, VITA	
0 PLC ± 1 PLC ± 2 PLC ± 3 PLC ±.005(0.13) 4 PLC ± ANGLES ±	1 ± 2 ±	APPLICATION SPEC	SIZE	CAGE CODE	DRAWING NO
MATERIAL	FINISH	WEIGHT	A1	00779	C=2358431
CUSTOMER DRAWING		SCALE	5:1	SHEET	1 OF 2

REVISIONS				
P.	LTN.	DESCRIPTION	DATE	APVD.
-	-	SEE SHEET 1	-	-



REF PCB LAYOUT - SEE VITA 67.3 FIGURE 6.1.5.2-1

J1B	1.541[39.15]
J2A	2.097[53.27]
J2B	2.653[67.39]
J3A	3.785[96.14]
J3B	4.341[110.26]
J4A	4.919[124.94]
J4B	5.475[139.06]
J5A	6.053[153.74]
J5B	6.609[167.86]
J6A	7.187[182.54]
J6B	7.743[196.66]
POSITION	DIM "X"

THIS DRAWING IS A CONTROLLED DOCUMENT.		DWN R. MILLER CHK C. GINGRICH	08JUL2019 12AUG2019	 TE Connectivity
DIMENSIONS: INCHES/mm	TOLERANCES UNLESS OTHERWISE SPECIFIED:	APVD	NAME	
	0 PLC ± 1 PLC ± 2 PLC ± 3 PLC ±.005[0.13] 4 PLC ± ANGLES ± FINISH	PRODUCT SPEC	NanoRF MODULE, BACKPLANE, F/O WITH 4 POSITION .086 CABLE PLUS 1 POSITION .047 CABLE, VITA	
MATERIAL	WEIGHT	APPLICATION SPEC	RESTRICTED TO	
		SIZE CAGE CODE DRAWING NO	A100779C=2358431	
CUSTOMER DRAWING		SCALE	5:1 SHEET 2 OF 2 REV A	