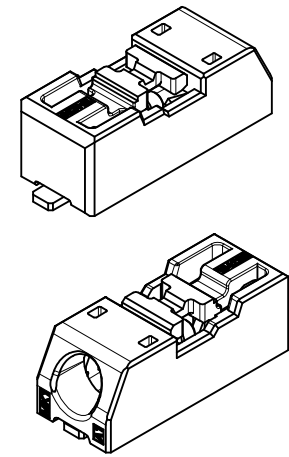
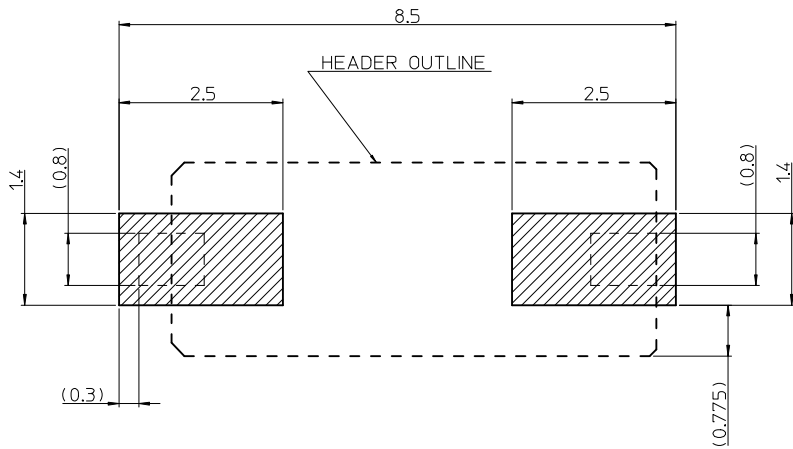
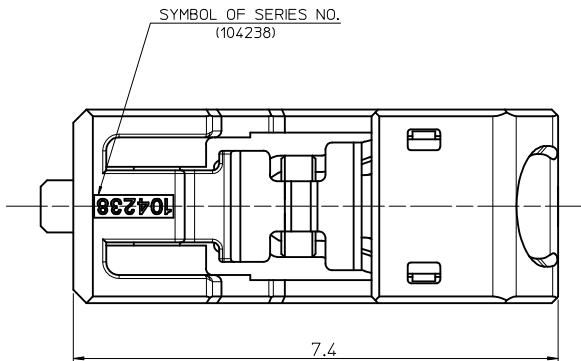


10 9 8 7 6 5 4 3 2 1

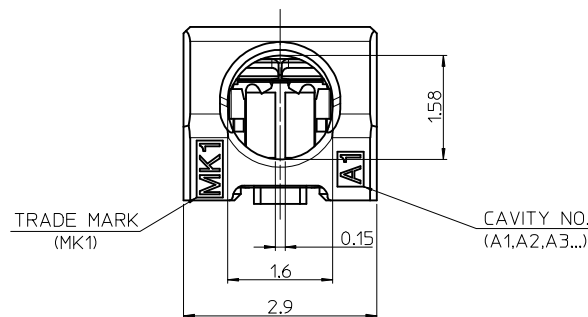
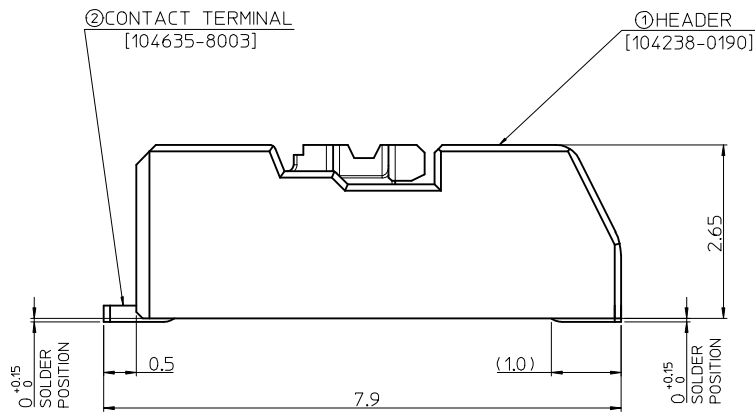


ISOMETRIC VIEW  
(SCALE 7/1)

RECOMMENDED PCB LAYOUT  
[GENERAL TOLERANCE : ±0.05]

NOTE

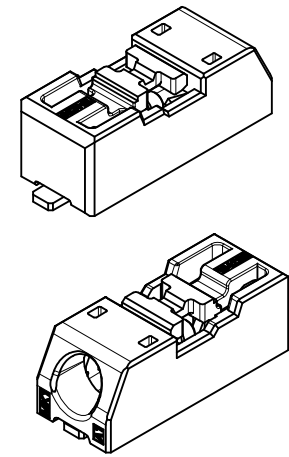
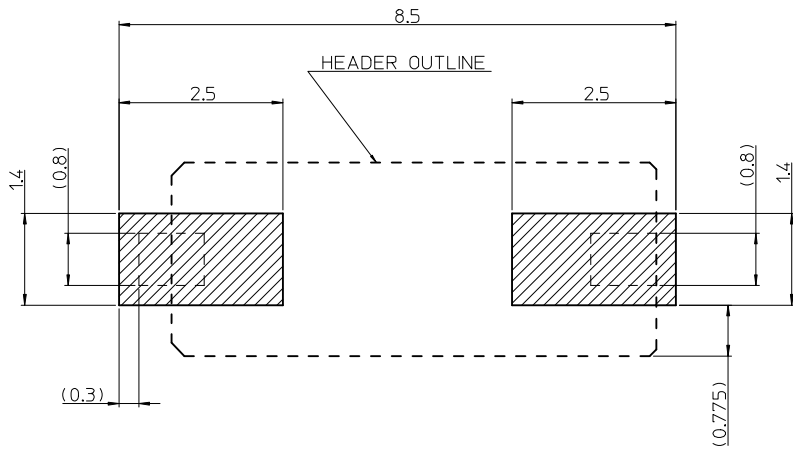
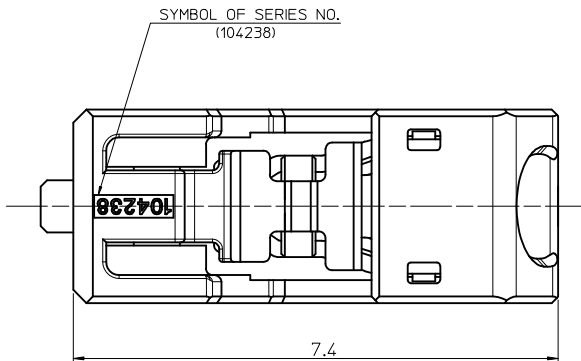
- MATERIAL
  - ①- HEADER : LCP, GLASS FILLED, UL94V-0 HALOGEN FREE, COLOR OF NATURAL
  - ②- CONTACT TERMINAL : COPPER-ALLOY, 0.25mm THICKNESS
- PLATING
  - CONTACT TERMINAL : TIN -PLATED 0.84μm MINIMUM TIN PLATING
- PRODUCT SPECIFICATION : PS-104238-001
- PACKAGING SPECIFICATION : PK-104238-001
- COPLANALITY OF SOLDER TAILS (PEAK TEMP. : 260°C), BEFORE & AFTER REFLOW : 0.08 MAX.
- APPLICABLE SOLIDE WIRE RANGE : (OUTSIDE WIRE INSULATION : 1.48mm DIAMETER MAX.)
  - SOLID WIRE : AWG #26~#22



RELEASED EC NO: KOR2015-0096 DRWN: SCHONG03 2015/01/12 CHKD: SHCHU 2015/01/12 APPR: YSK1M02 2015/03/30	QUALITY SYMBOLS	GENERAL TOLERANCES (UNLESS SPECIFIED)	DIMENSION STYLE	SCALE	DESIGN UNITS	THIRD ANGLE PROJECTION
	▽=0 ▽=0	mm    INCH 4 PLACES ± --- ± --- 3 PLACES ± --- ± --- 2 PLACES ± 0.15 ± --- 1 PLACE ± 0.20 ± --- 0 PLACE ± --- ± ---	MM ONLY	13:1	METRIC	
	ANGULAR ± 3 ° DRAFT WHERE APPLICABLE MUST REMAIN WITHIN DIMENSIONS	DRAWN BY: SCHONG03    DATE: 2015/01/12 CHECKED BY: SHCHU    DATE: 2015/01/12 APPROVED BY: YSK1M02    DATE: 2015/03/30	TITLE	MINI LITE TRAP CONNECTOR HEADER ASS'Y -1P		
		MATERIAL NO.	DOCUMENT NO.	molex SD-104238-001		
A	REV		SIZE	SHEET NO.		
			A3	1 OF 1		
			THIS DRAWING CONTAINS INFORMATION THAT IS PROPRIETARY TO MOLEX INCORPORATED AND SHOULD NOT BE USED WITHOUT WRITTEN PERMISSION			

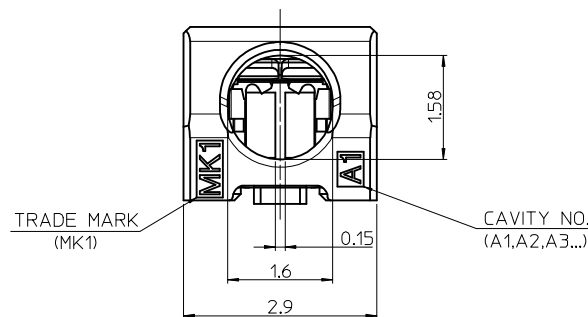
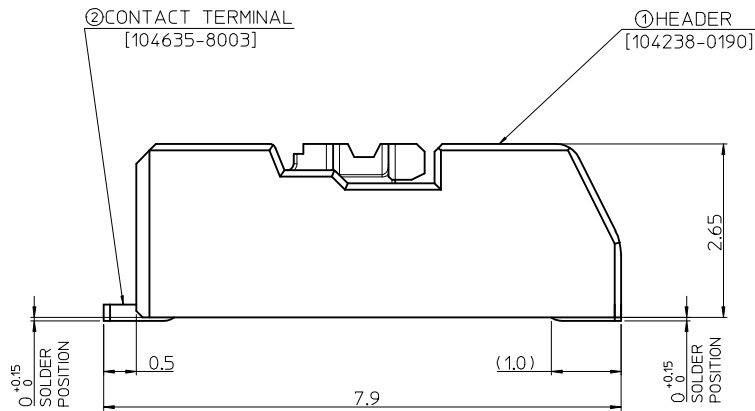
9 8 7 6 5 4 3 2 1

10 9 8 7 6 5 4 3 2 1



ISOMETRIC VIEW  
(SCALE 7/1)

RECOMMENDED PCB LAYOUT  
[GENERAL TOLERANCE : ±0.05]

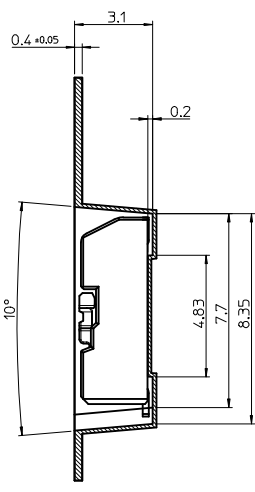
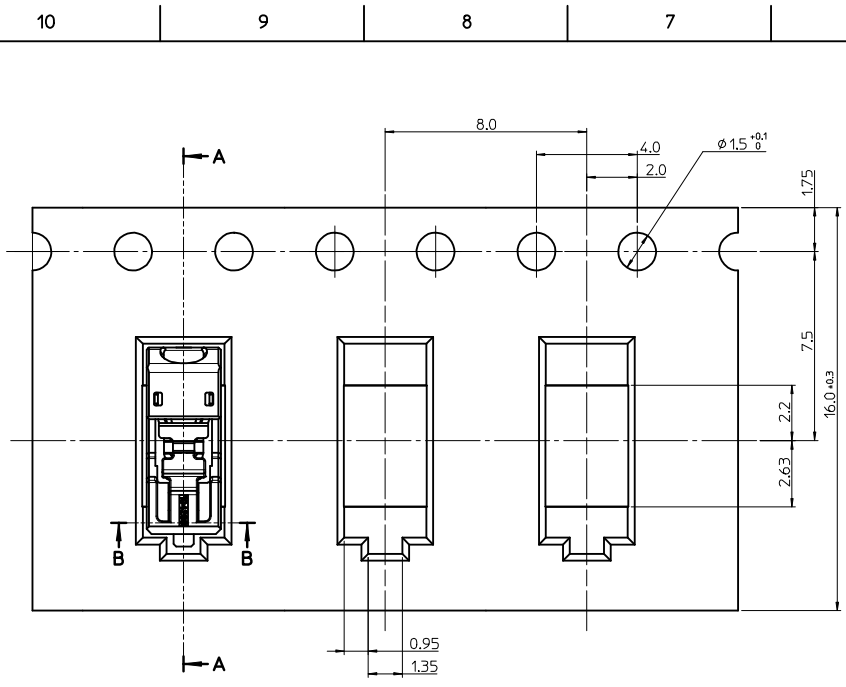


NOTE

- MATERIAL
  - ①- HEADER : LCP, GLASS FILLED, UL94V-0 HALOGEN FREE, COLOR OF NATURAL
  - ②- CONTACT TERMINAL : COPPER-ALLOY, 0.25mm THICKNESS
- PLATING
  - CONTACT TERMINAL : TIN -PLATED 0.84μm MINIMUM TIN PLATING
- PRODUCT SPECIFICATION : PS-104238-001
- PACKAGING SPECIFICATION : PK-104238-001
- COPLANALITY OF SOLDER TAILS (PEAK TEMP. : 260°C), BEFORE & AFTER REFLOW : 0.08 MAX.
- APPLICABLE SOLIDE WIRE RANGE : (OUTSIDE WIRE INSULATION : 1.48mm DIAMETER MAX.)
  - SOLID WIRE : AWG #26~#22

RELEASED EC NO: KOR2015-0096 DRWN: SCHONG03 2015/01/12 CHKD: SHCHU 2015/01/12 APPR: YSK1M02 2015/03/30	QUALITY SYMBOLS	GENERAL TOLERANCES (UNLESS SPECIFIED)	DIMENSION STYLE	SCALE	DESIGN UNITS	THIRD ANGLE PROJECTION
	▽=0 ▽=0	mm INCH 4 PLACES ± --- ± --- 3 PLACES ± --- ± --- 2 PLACES ± 0.15 ± --- 1 PLACE ± 0.20 ± --- 0 PLACE ± --- ± ---	MM ONLY	13:1	METRIC	
	ANGULAR ± 3 ° DRAFT WHERE APPLICABLE MUST REMAIN WITHIN DIMENSIONS	DRAWN BY DATE SCHONG03 2015/01/12 CHECKED BY DATE SHCHU 2015/01/12 APPROVED BY DATE YSK1M02 2015/03/30	TITLE	MINI LITE TRAP CONNECTOR HEADER ASS'Y -1P		
		MATERIAL NO.	DOCUMENT NO.	molex SD-104238-001		
A	REV	SIZE	THIS DRAWING CONTAINS INFORMATION THAT IS PROPRIETARY TO MOLEX INCORPORATED AND SHOULD NOT BE USED WITHOUT WRITTEN PERMISSION			
		A3	SHEET NO. 1 OF 1			

9 8 7 6 5 4 3 2 1

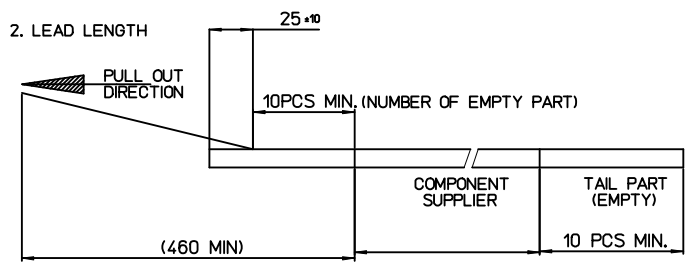


Section A-A

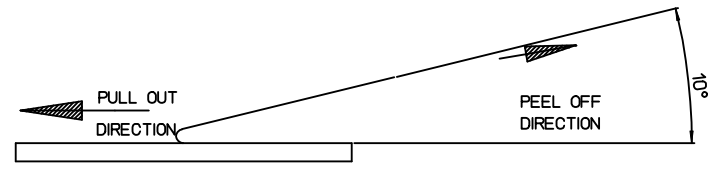
NOTES

1. QUANTITY OF CONNECTORS : 3,500 PCS/REEL

2. LEAD LENGTH



3. PEELING OFF FORCE OF COVER TAPE : 0.1N~0.59N(10.2GF~60GF)  
 (PEELING DIRECTION AS SHOW IN FOLLOW FIG.)  
 PEELING OFF SPEED : 300mm/Min.(Ref.)

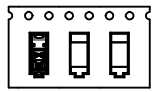


4. FLASH IN ANY PORTION SHOULD BE LESS THAN 0.20mm MAX.  
 5. UNLESS OTHERWISE SPECIFIED INNER R0.2 MAX

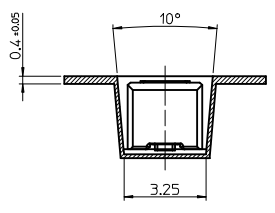
[TABLE]

1042380110	104238-0110	NATURAL	16.0mm	104238-9001
MATERIAL NO.	NO.	COLOR	TAPE WIDTH	EMBOSS TAPE
	CONNECTOR			

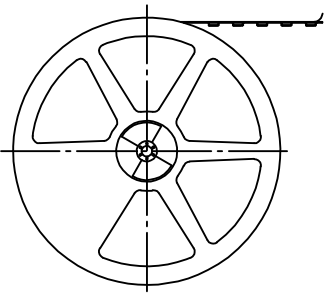
PULL OUT DIRECTION



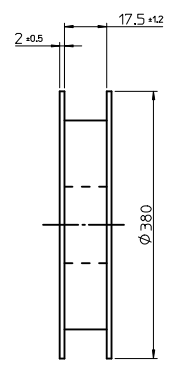
PULL OUT DIRECTION



Section B-B



PLASTIC BOBBIN



RELEASED  
 EC NO: KOR2015-0074  
 DRWN: SCHONG03 2014/12/10  
 CHKD: SHCHU 2014/12/10  
 APPR: YSK1M02 2014/12/11

QUALITY SYMBOLS  
 ▽=0  
 ▽=0

GENERAL TOLERANCES (UNLESS SPECIFIED)

	mm	INCH
4 PLACES	± ---	± ---
3 PLACES	± ---	± ---
2 PLACES	± 0.15	± ---
1 PLACE	± 0.20	± ---
0 PLACE	± ---	± ---

ANGULAR ± 1 °  
 DRAFT WHERE APPLICABLE  
 MUST REMAIN WITHIN DIMENSIONS

DIMENSION STYLE  
 MM ONLY

DRAWN BY	DATE
CHONG03	2014/12/10
CHECKED BY	DATE
SHCHU	2014/12/10
APPROVED BY	DATE
YSK1M02	2014/12/11

MATERIAL NO.  
 1042380110

SCALE  
 5:1

DESIGN UNITS  
 METRIC

THIRD ANGLE PROJECTION

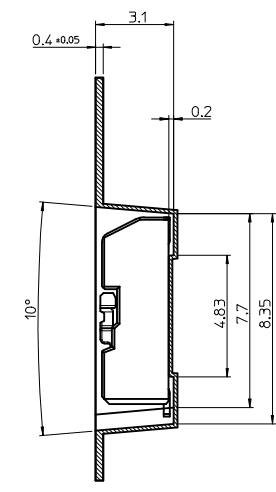
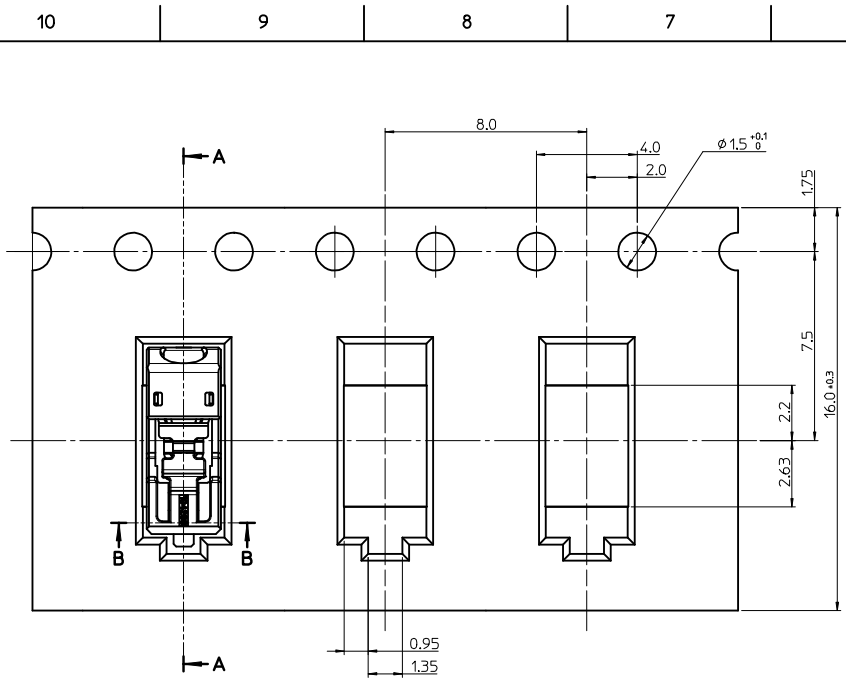
TITLE  
 MINI S-POKE CONN. -1P  
 MINI LITE-TRAP CONN.1KCT  
 EMBOSSED PACKAGE

**molex**

DOCUMENT NO.  
 SD-104238-002

SHEET NO.  
 1 OF 1

THIS DRAWING CONTAINS INFORMATION THAT IS PROPRIETARY TO MOLEX INCORPORATED AND SHOULD NOT BE USED WITHOUT WRITTEN PERMISSION

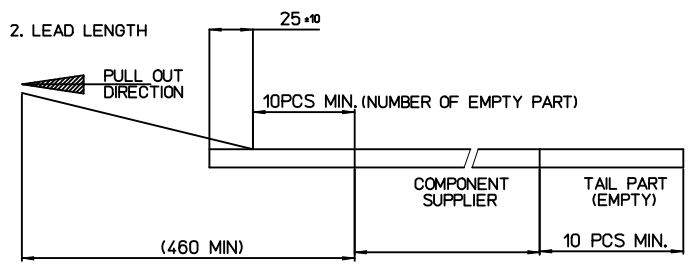


Section A-A

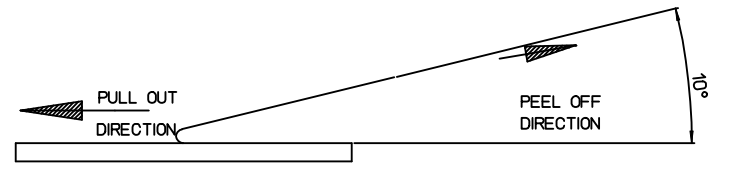
NOTES

1. QUANTITY OF CONNECTORS : 3,500 PCS/REEL

2. LEAD LENGTH



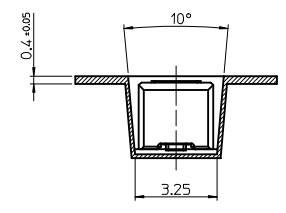
3. PEELING OFF FORCE OF COVER TAPE : 0.1N~0.59N(10.2GF~60GF)  
 (PEELING DIRECTION AS SHOW IN FOLLOW FIG.)  
 PEELING OFF SPEED : 300mm/Min.(Ref.)



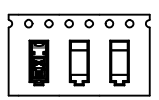
4. FLASH IN ANY PORTION SHOULD BE LESS THAN 0.20mm MAX.  
 5. UNLESS OTHERWISE SPECIFIED INNER R0.2 MAX

[TABLE]

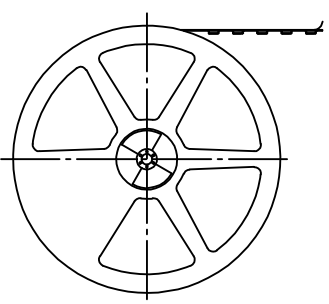
1042380110	104238-0110	NATURAL	16.0mm	104238-9001
MATERIAL NO.	NO.	COLOR	TAPE WIDTH	EMBOSS TAPE
	CONNECTOR			



Section B-B



PULL OUT DIRECTION



PLASTIC BOBBIN

RELEASED EC NO: KOR2015-0074 DRWN: SCHONG03 2014/12/10 CHKD: SHCHU 2014/12/10 APPR: YSK1M02 2014/12/11	QUALITY SYMBOLS	GENERAL TOLERANCES (UNLESS SPECIFIED)	DIMENSION STYLE	SCALE	DESIGN UNITS	THIRD ANGLE PROJECTION
	$\nabla = 0$ $\sphericalangle = 0$	mm    INCH 4 PLACES ± --- ± --- 3 PLACES ± --- ± --- 2 PLACES ± 0.15 ± --- 1 PLACE ± 0.20 ± --- 0 PLACE ± --- ± ---	MM ONLY	5:1	METRIC	
	ANGULAR ± 1 ° DRAFT WHERE APPLICABLE MUST REMAIN WITHIN DIMENSIONS	DRAWN BY: SCHONG03 CHECKED BY: SHCHU APPROVED BY: YSK1M02 DATE: 2014/12/10 DATE: 2014/12/10 DATE: 2014/12/11	TITLE	MINI S-POKE CONN. -1P MINI LITE-TRAP CONN.1KCT EMBOSSED PACKAGE		
	MATERIAL NO. <b>1042380110</b>	DOCUMENT NO. <b>SD-104238-002</b>	SHEET NO. <b>1 OF 1</b>			