

THE INFORMATION CONTAINED HEREIN IS CONSIDERED "PROPRIETARY" TO BEL FUSE INC. AND SHALL NOT BE COPIED, REPRODUCED OR DISCLOSED WITHOUT THE WRITTEN APPROVAL OF BEL FUSE INC.



| LED1 POLARITY |        |       | LED2 POLARITY |        |        |
|---------------|--------|-------|---------------|--------|--------|
| PIN 11        | PIN 12 | COLOR | PIN 9         | PIN 10 | COLOR  |
| -             | +      | GREEN | -             | +      | YELLOW |

SCHEMATIC

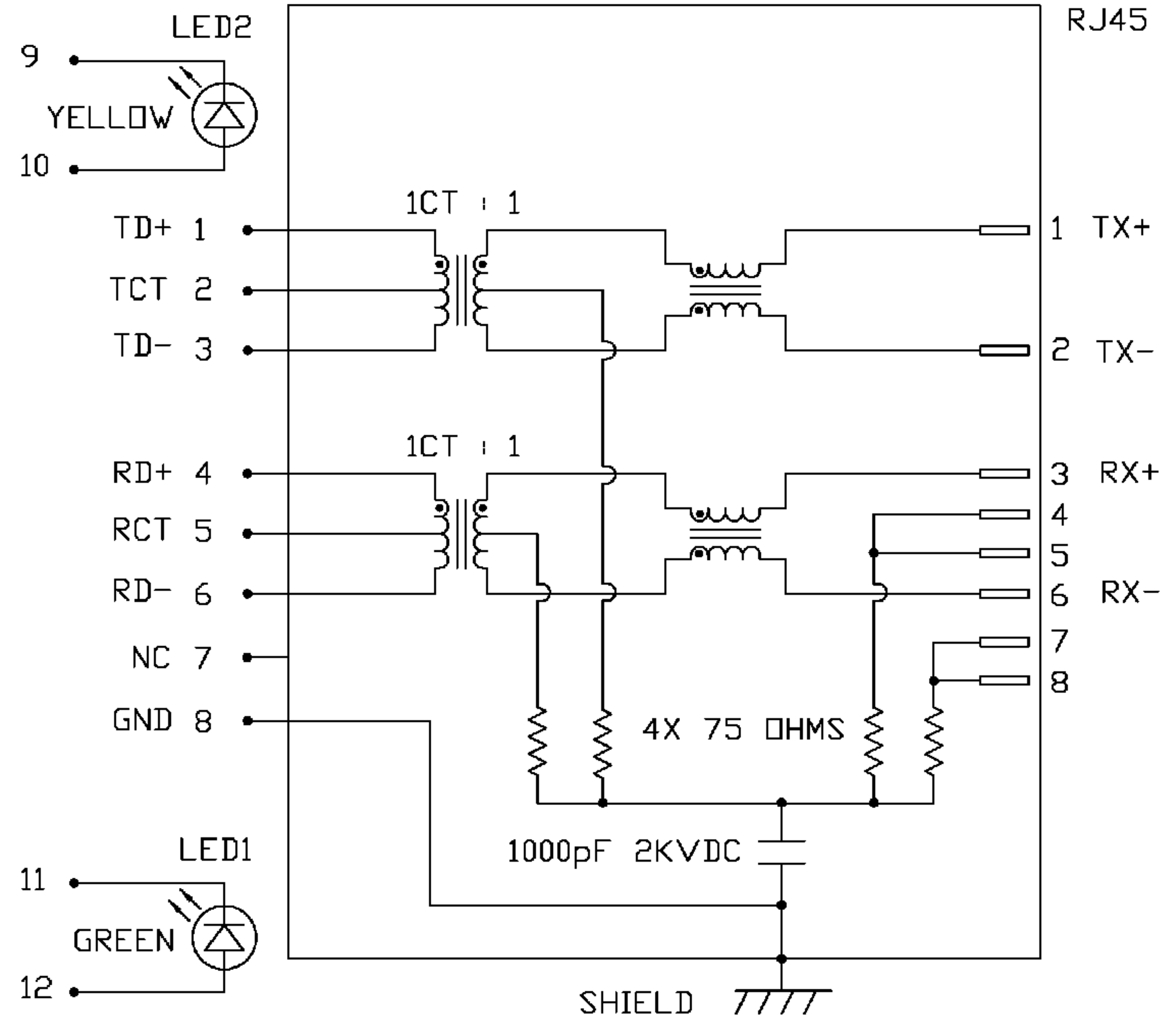
ELECTRICAL CHARACTERISTICS @ 25°C

URNS RATIO

|                            |                       |
|----------------------------|-----------------------|
| TX                         | 1CT : 1               |
| RX                         | 1CT : 1               |
| OCL @ 100kHz/100mVRMS      |                       |
| 8mA DC BIAS                | 350µH MIN.            |
| INS. LOSS                  |                       |
| 1MHz TO 100MHz             | -1.1 dB MAX           |
| RET. LOSS (MIN)            |                       |
| 1MHz-30MHz                 | -18 dB                |
| 30MHz-60MHz                | -18+20LOG(F/30MHz) dB |
| 60MHz-80MHz                | -12 dB                |
| CROSS TALK (TX - RX)       |                       |
| 500kHz - 100 MHz           | -30 dB MIN            |
| CM TO CM REJ               |                       |
| 100kHz - 100 MHz           | -30 dB MIN            |
| CM TO DM REJ               |                       |
| 100kHz - 100 MHz           | -40 dB MIN            |
| HIPOT (Isolation Voltage): | 1500 Vrms             |

LED 1

|                          |         |        |            |
|--------------------------|---------|--------|------------|
| VF (FORWARD VOLTAGE)     | IF=20mA | GREEN  | 2.2V TYP.  |
| λD (DOMINANT WAVELENGTH) | IF=20mA | GREEN  | 565nm TYP. |
| LED 2                    |         |        |            |
| VF (FORWARD VOLTAGE)     | IF=20mA | YELLOW | 2.1V TYP.  |
| λD (DOMINANT WAVELENGTH) | IF=20mA | YELLOW | 590nm TYP. |

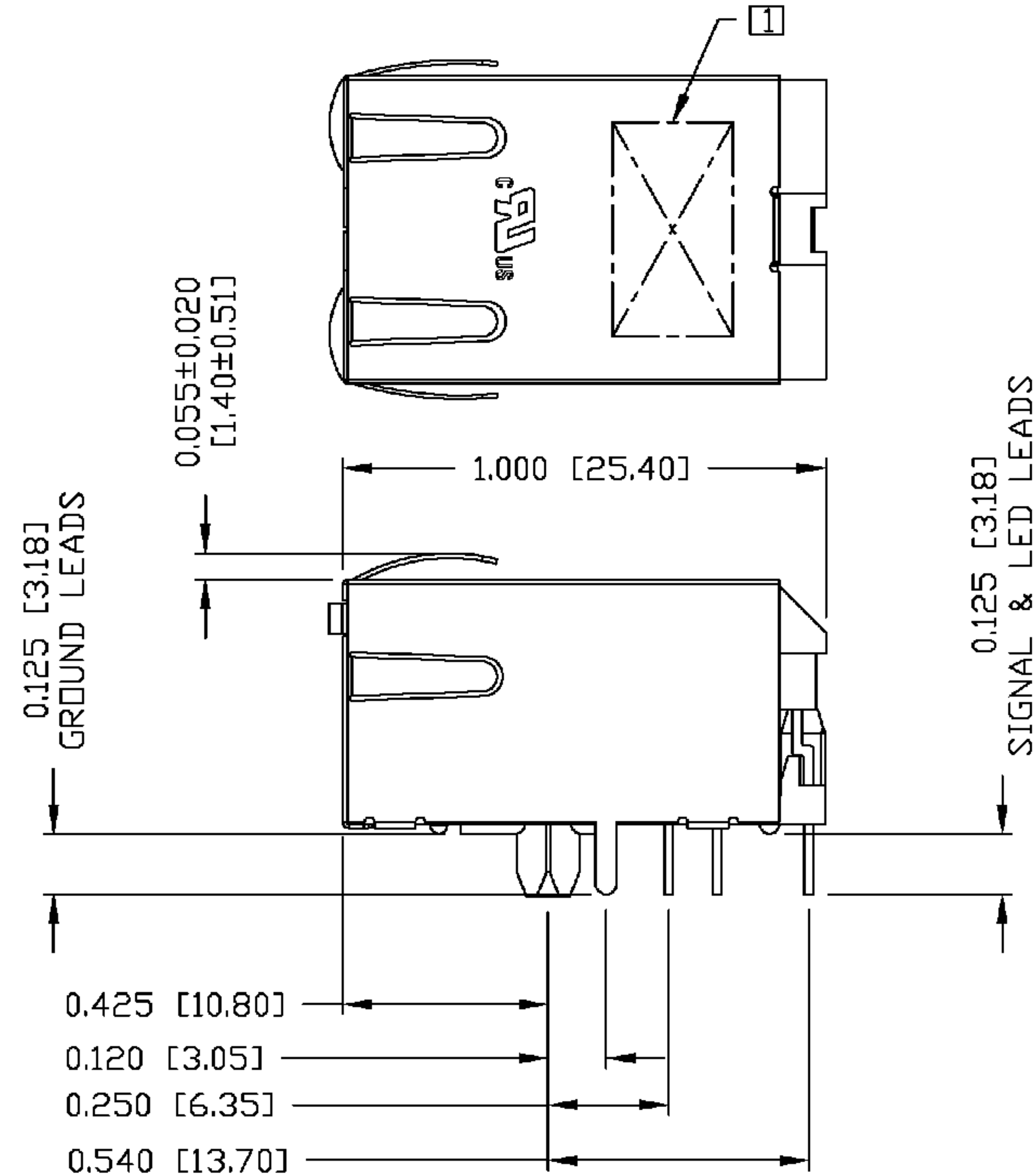
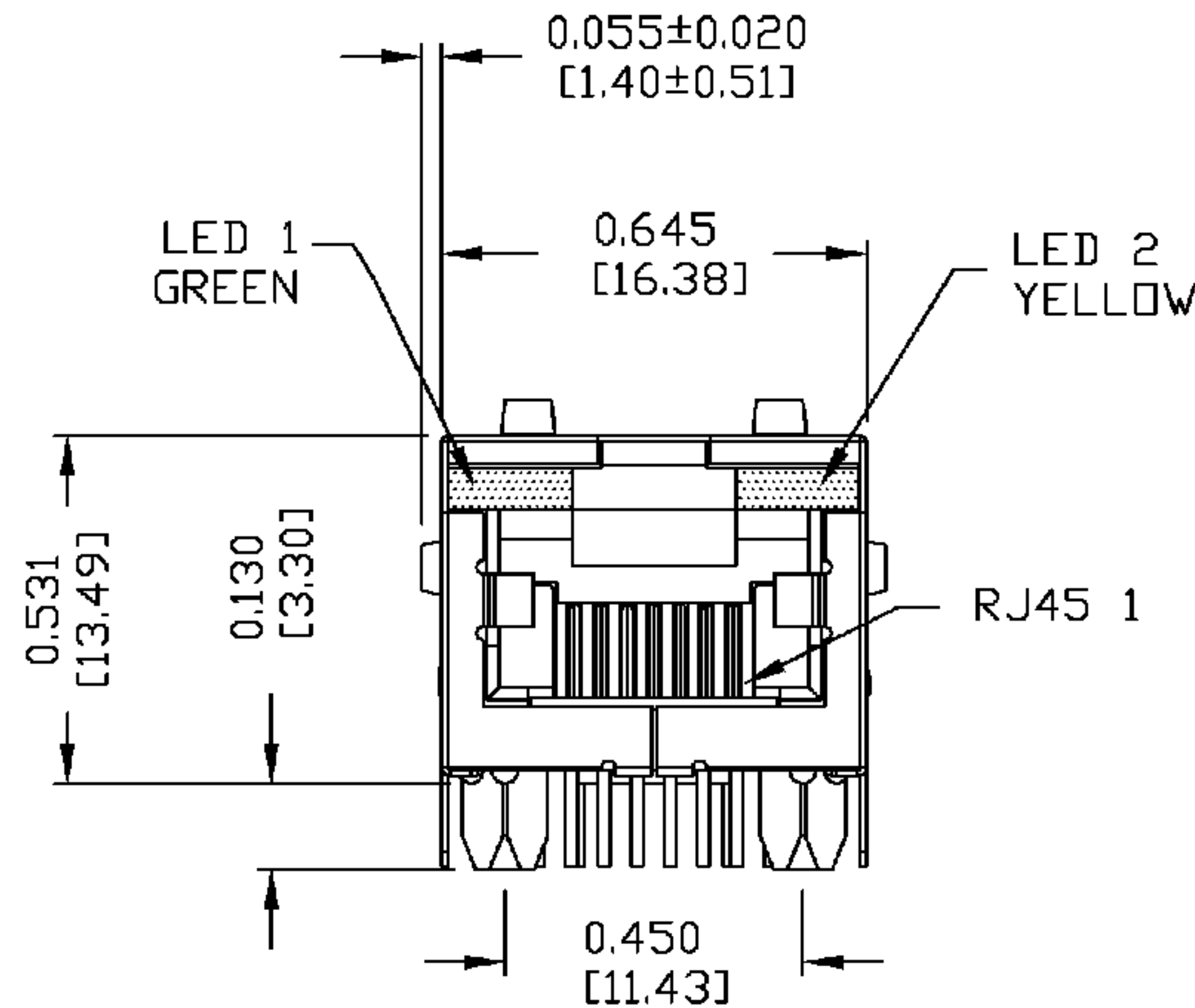


| ORIGINATED BY | DATE     | TITLE                  | PART NO. / DRAWING NO. | STANDARD DIM. TOL. IN INCH | [ ] METRIC DIM. AS REFERENCE |
|---------------|----------|------------------------|------------------------|----------------------------|------------------------------|
| CHUNG         | 12-20-05 | staggered pin MagJack® | 08171D1T21-F           | .X                         | UNIT : INCH [mm] REV. : B    |
| DRAWN BY      | DATE     |                        | FILE NAME              | .XX                        | SCALE : N/A SIZE : A4        |
| DE            | 12-20-05 | 0817-1D1T-21-F         | 08171D1T21-FB.DWG      | .XXX                       | PAGE : 2                     |



THE INFORMATION CONTAINED HEREIN IS CONSIDERED "PROPRIETARY" TO BEL FUSE INC. AND SHALL NOT BE COPIED, REPRODUCED OR DISCLOSED WITHOUT THE WRITTEN APPROVAL OF BEL FUSE INC.

MECHANICAL SPECIFICATION



NOTES:

- PLASTIC HOUSING: THERMOPLASTIC PBT  
FLAMMABILITY RATING UL 94V-0
- CONTACT PLATING: 50 MICRO-INCH HARD GOLD PLATING
- PINS: TIN-COATED COPPER WIRE, DIA 0.018 INCH.
- METAL SHIELD: NICKEL PLATED ON COPPER ALLOY.  
(NICKEL GROUND LEADS ARE SOLDER DIPPED)

1. MARK PART WITH MFG LOGO, MFG NAME, PART NUMBER, AND DATE CODE.

- 1. UL RECOGNIZED - FILE #E196366 AND E169987.
- 2. RoHS COMPLIANCE, PER EU DIRECTIVE 2002/95/EC.

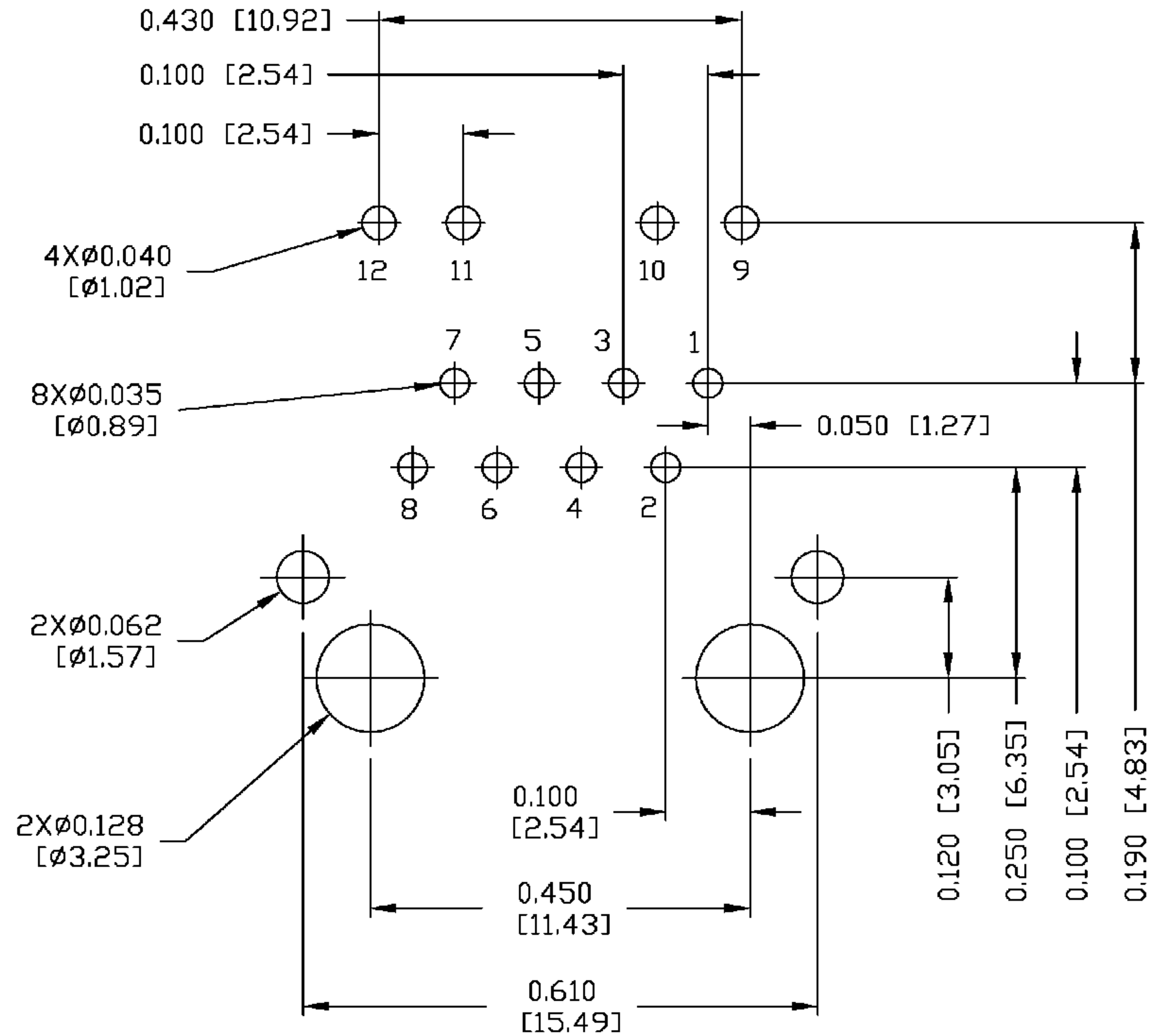
|                        |                  |   |  |                               |                                      |                                   |
|------------------------|------------------|---|--|-------------------------------|--------------------------------------|-----------------------------------|
| ORIGINATED BY<br>SARAH | DATE<br>12-20-05 | TITLE<br>staggered pin MagJack®<br><br>0817-1D1T-21-F | PART NO. / DRAWING NO.<br>08171D1T21-F | STANDARD DIM.<br>TOL. IN INCH | [ ] METRIC DIM. AS REFERENCE         |                                   |
| DRAWN BY<br>TING       | DATE<br>12-20-05 |   | FILE NAME<br>08171D1T21-FB.DWG         | .X<br>.XX<br>.XXX             | UNIT : INCH [mm]<br>SCALE : N/A<br>⊕ | REV. : B<br>SIZE : A4<br>PAGE : 3 |



THE INFORMATION CONTAINED HEREIN IS CONSIDERED "PROPRIETARY" TO BEL FUSE INC. AND SHALL NOT BE COPIED, REPRODUCED OR DISCLOSED WITHOUT THE WRITTEN APPROVAL OF BEL FUSE INC.



RECOMMENDED PCB FOOTPRINT



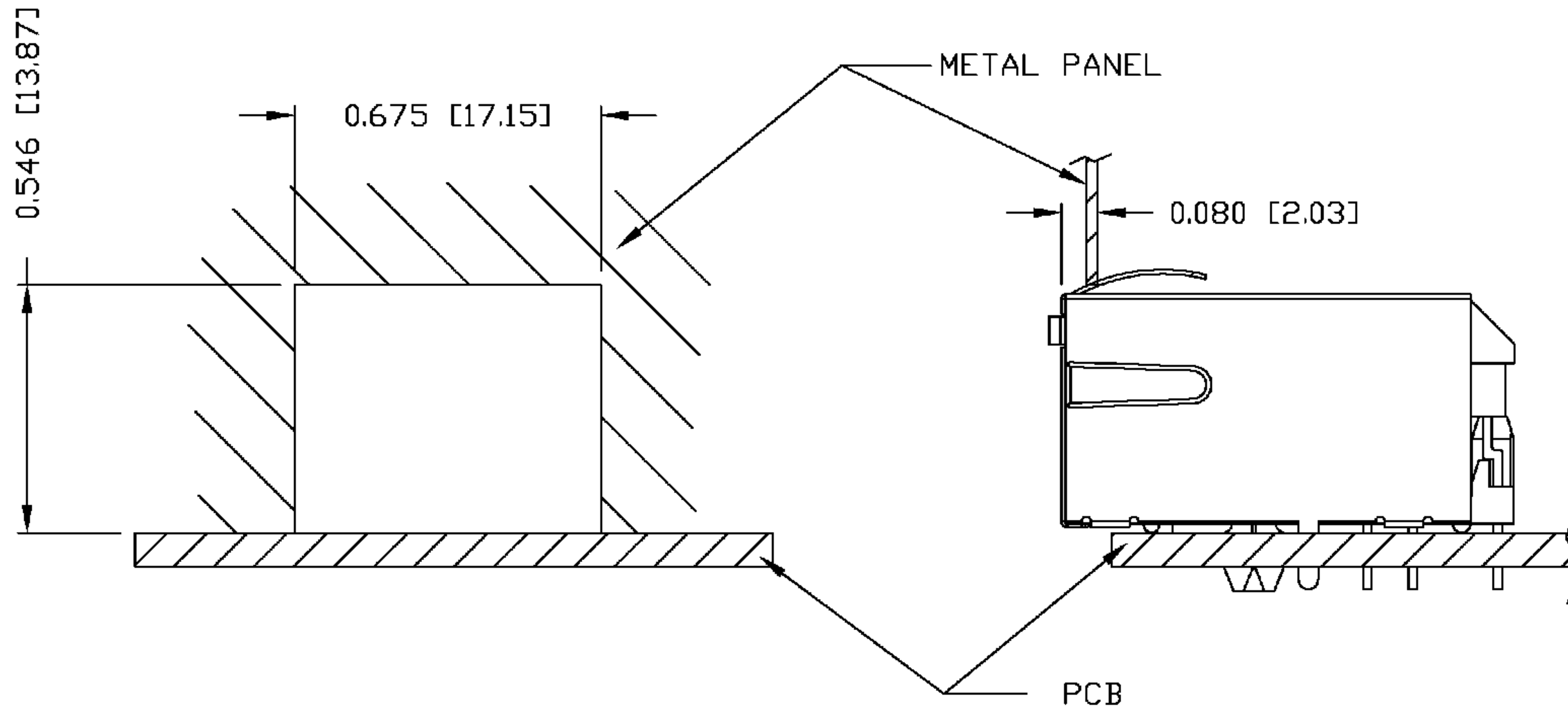
|                        |                  |   |  |                               |                              |           |
|------------------------|------------------|---|--|-------------------------------|------------------------------|-----------|
| ORIGINATED BY<br>SARAH | DATE<br>12-20-05 | TITLE<br>staggered pin MagJack®<br>0817-1D1T-21-F | PART NO. / DRAWING NO.<br>08171D1T21-F | STANDARD DIM.<br>TOL. IN INCH | [ ] METRIC DIM. AS REFERENCE |           |
| DRAWN BY<br>TING       | DATE<br>12-20-05 |   | FILE NAME<br>08171D1T21-FB.DWG         | .X                            | UNIT : INCH [mm]             | REV. : B  |
|                        |                  |   |  | .XX                           | SCALE : N/A                  | SIZE : A4 |
|                        |                  |   |  | .XXX ±0.004                   |                              | PAGE : 4  |



THE INFORMATION CONTAINED HEREIN IS CONSIDERED "PROPRIETARY" TO BEL FUSE INC. AND SHALL NOT BE COPIED, REPRODUCED OR DISCLOSED WITHOUT THE WRITTEN APPROVAL OF BEL FUSE INC.



SUGGESTED PANEL OPENING



NOTE :

THE DISTANCE OF PANEL INSIDE SURFACE RELATIVE TO FRONT SURFACE OF PART IS ONLY A SUGGESTION. IN CASE THIS DISTANCE IS DIFFERENT, THE REQUIRED PANEL OPENING DIMENSIONS CHANGE ACCORDINGLY.

PACKING INFORMATION

PACKING TRAY : 0200-9999-A2

PACKING QUANTITY : 60 PCS FINISHED GOODS PER TRAY

11 TRAYS (660 PCS FINISHED GOODS) PER CARTON BOX

NOTE : CARDBOARDS ARE PLACED BETWEEN LAYERS OF PACKING TRAY INSIDE CARTON BOX (INCLUDE THE UPPERMOST AND LOWERMOST TRAY)

|                        |                  |                                 |  |                            |        |                              |           |                                       |
|------------------------|------------------|---------------------------------|--|----------------------------|--------|------------------------------|-----------|---------------------------------------|
| ORIGINATED BY<br>SARAH | DATE<br>12-20-05 | TITLE<br>staggered pin MagJack® | PART NO. / DRAWING NO.<br>08171D1T21-F | STANDARD DIM. TOL. IN INCH |        | [ ] METRIC DIM. AS REFERENCE |           | <br>COMPONENTS FOR A CONNECTED PLANET |
|                        |                  |                                 |  | .X                         |        | UNIT : INCH [mm]             | REV. : B  |                                       |
| DRAWN BY<br>TING       | DATE<br>12-20-05 | 0817-1D1T-21-F                  | FILE NAME<br>08171D1T21-FB.DWG         | .XX                        |        | SCALE : N/A                  | SIZE : A4 |                                       |
|                        |                  |                                 |  | .XXX                       | ±0.004 |                              | PAGE : 5  |                                       |