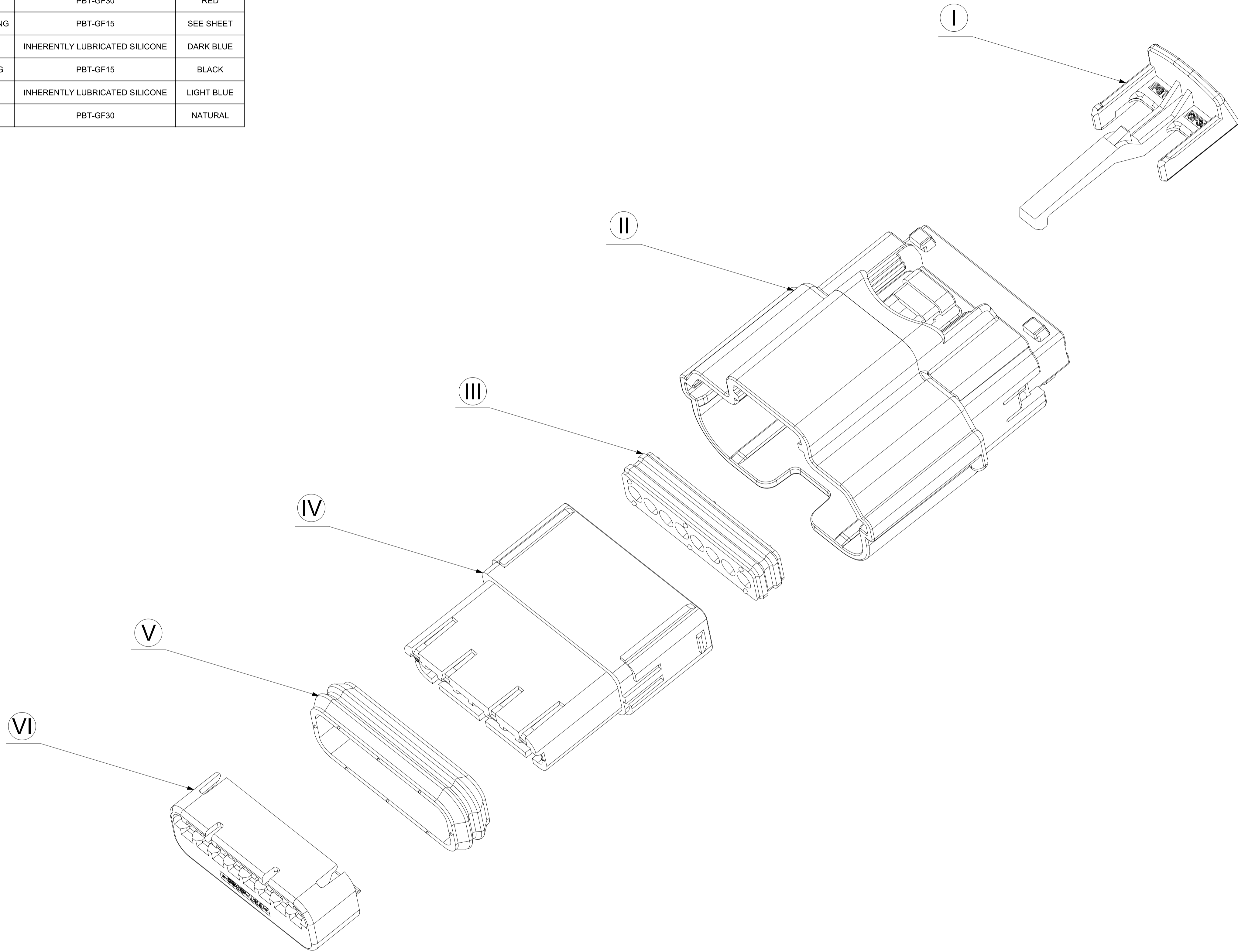




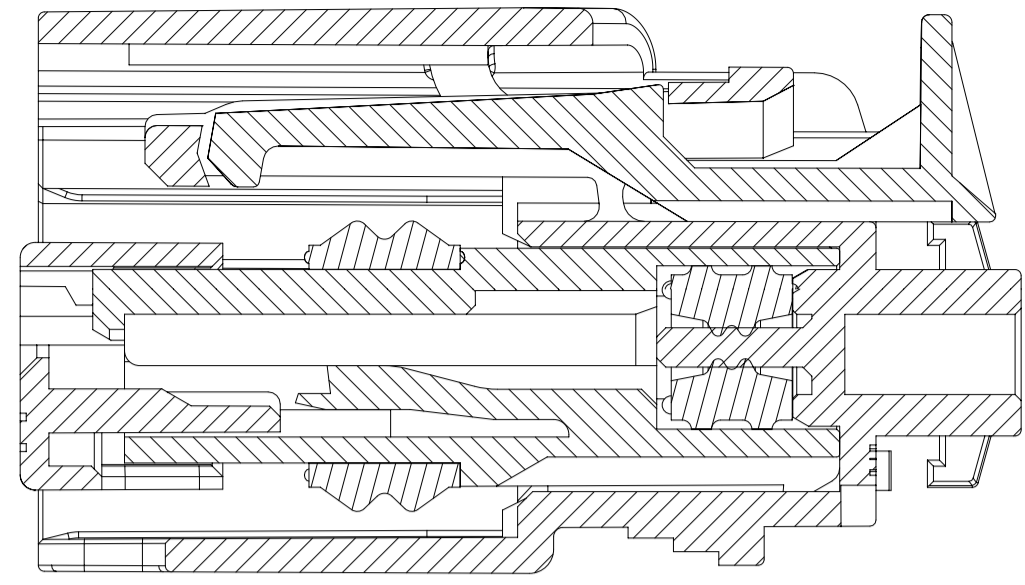
SHEET DESCRIPTION	
BOM	

ITEM NO.	DESCRIPTION	MATERIAL	COLOR
I	CPA	PBT-GF30	RED
II	CONNECTOR HOUSING	PBT-GF15	SEE SHEET
III	MATTE SEAL	INHERENTLY LUBRICATED SILICONE	DARK BLUE
IV	TERMINAL HOUSING	PBT-GF15	BLACK
V	PERIPHERAL SEAL	INHERENTLY LUBRICATED SILICONE	LIGHT BLUE
VI	TPA	PBT-GF30	NATURAL

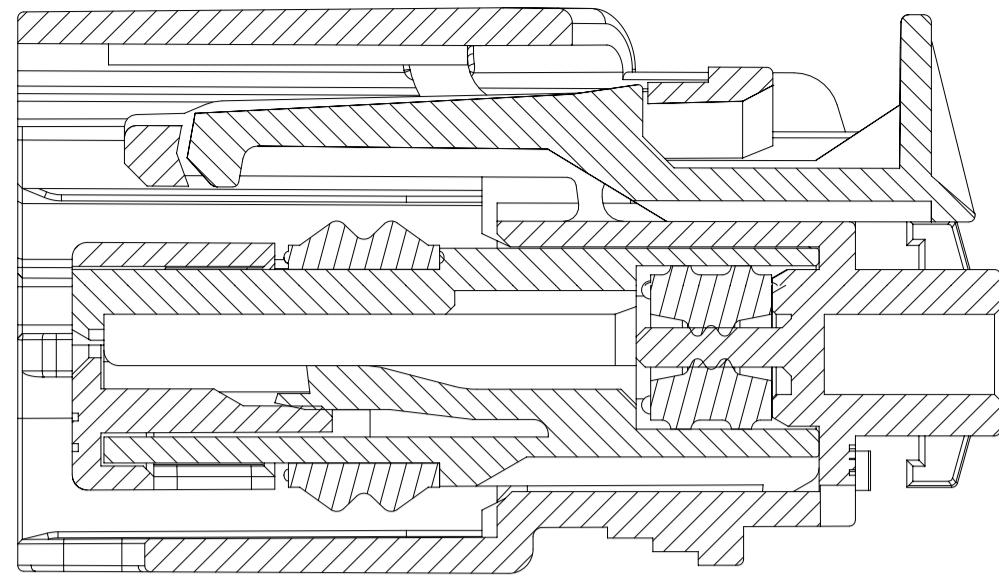


<b>SYMBOLS</b> = 0 = 0 = 0 = 0 = 0 = 0 = 0 = 0 = 0	THIS DRAWING CONTAINS INFORMATION THAT IS PROPRIETARY TO MOLEX ELECTRONIC TECHNOLOGIES, LLC AND SHOULD NOT BE USED WITHOUT WRITTEN PERMISSION DIMENSION UNITS: <b>mm</b> SCALE: <b>4:1</b>		CURRENT REV DESC: EC NO: CO-000000853 DRWN: Yan Allen 15-Apr-2022 CHK'D: Fiona Chen 15-Apr-2022 APPR: Colin Zhang 20-Apr-2022		 USCAR 0.64MM 8 WAY ADD NEW P/N: 314049184/9194		
	GENERAL TOLERANCES (UNLESS SPECIFIED) ANGULAR TOL ± 0.5° 4 PLACES ± 0 3 PLACES ± 0 2 PLACES ± 0 1 PLACE ± 0 0 PLACES ± 0		INITIAL REVISION: DRWN: Yan Allen 14-Feb-2022 APPR: David Xie 24-Feb-2022				
DRAFT WHERE APPLICABLE MUST REMAIN WITHIN DIMENSIONS		THIRD ANGLE PROJECTION	DRAWING: <b>A1-SIZE</b>	SERIES: <b>31404</b>	MATERIAL NUMBER:	CUSTOMER: <b>GENERAL MARKET</b>	SHEET NUMBER: <b>2 OF 4</b>

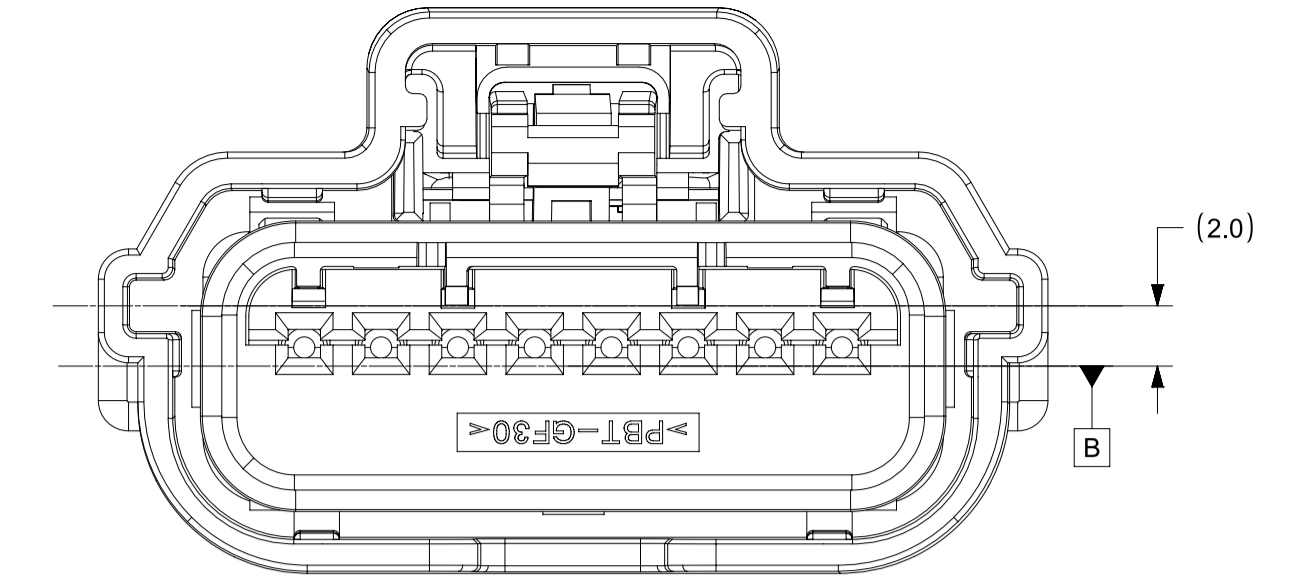
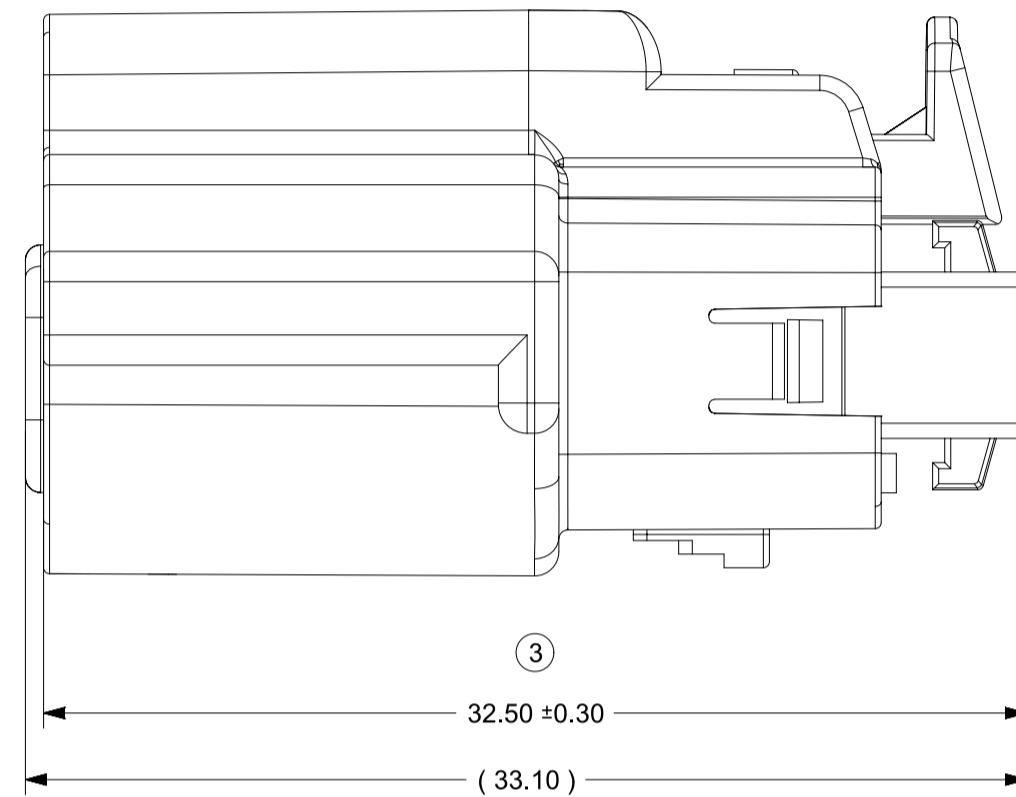
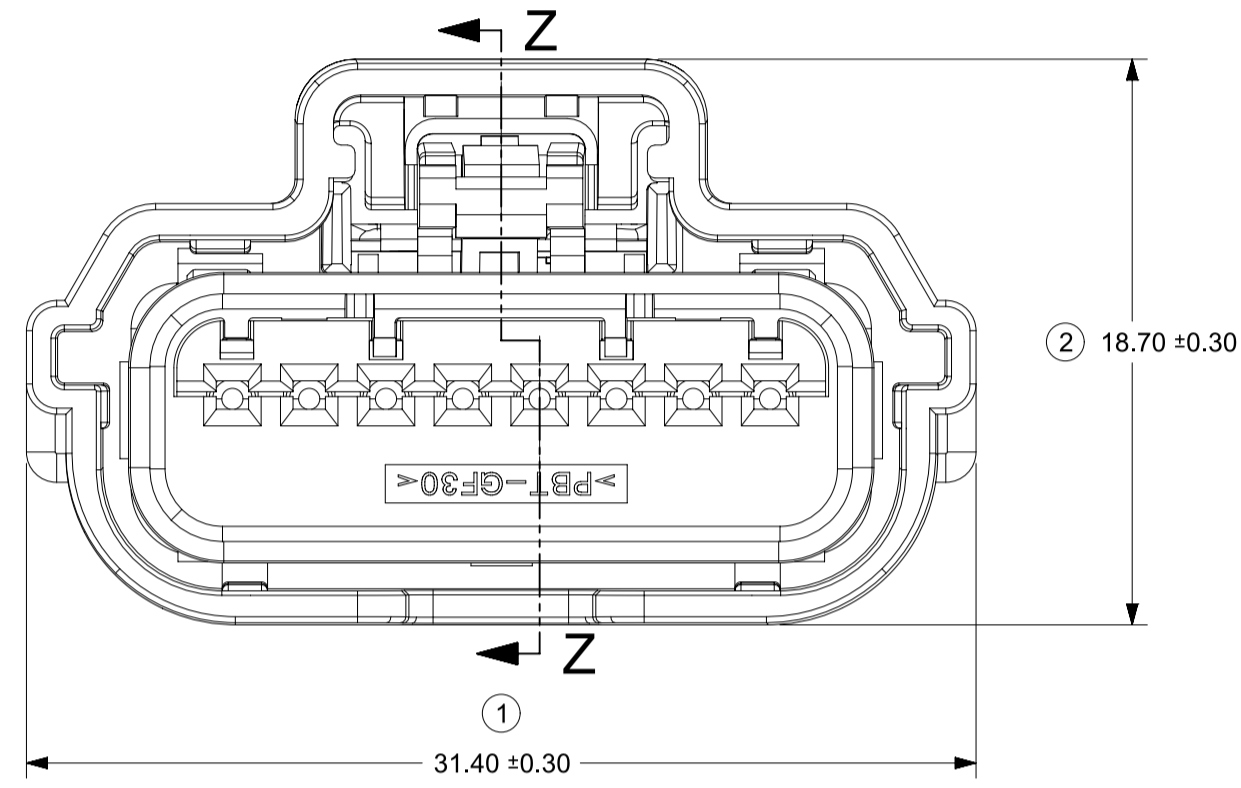
SHEET DESCRIPTION
KEY CONFIGURATIONS



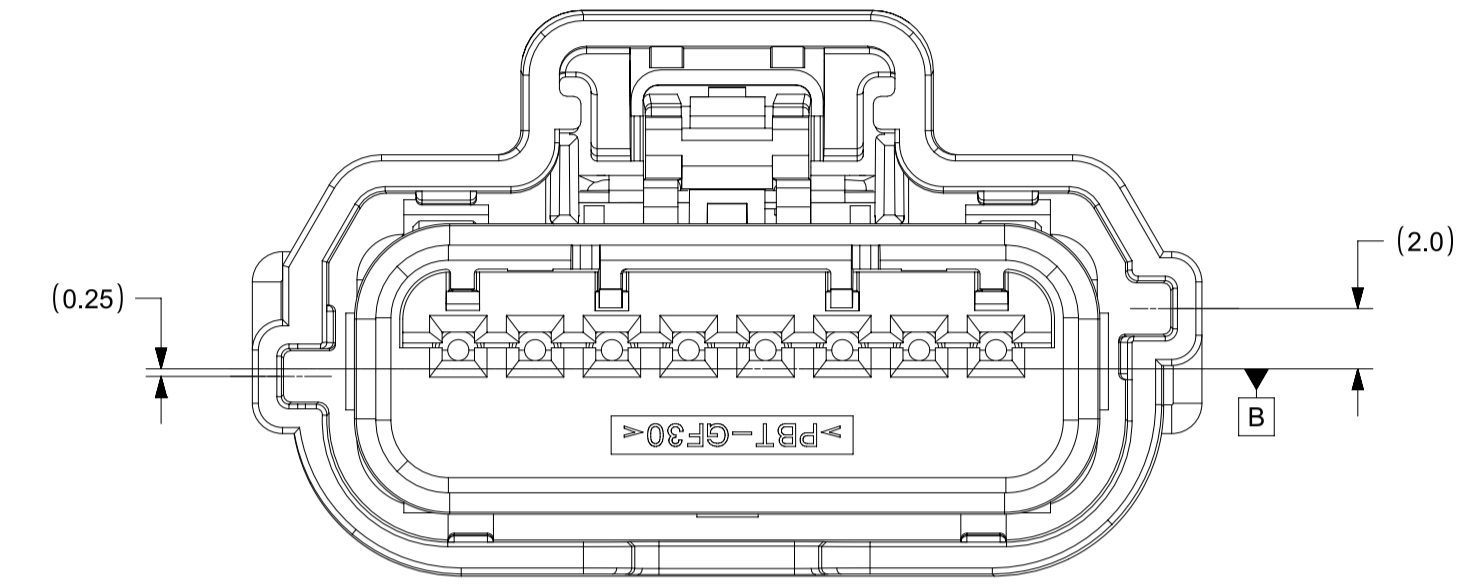
SECTION Z-Z  
TPA SHOWN IN AS-SHIPPED  
PRE-SET POSITION  
SEE NOTE 1-a



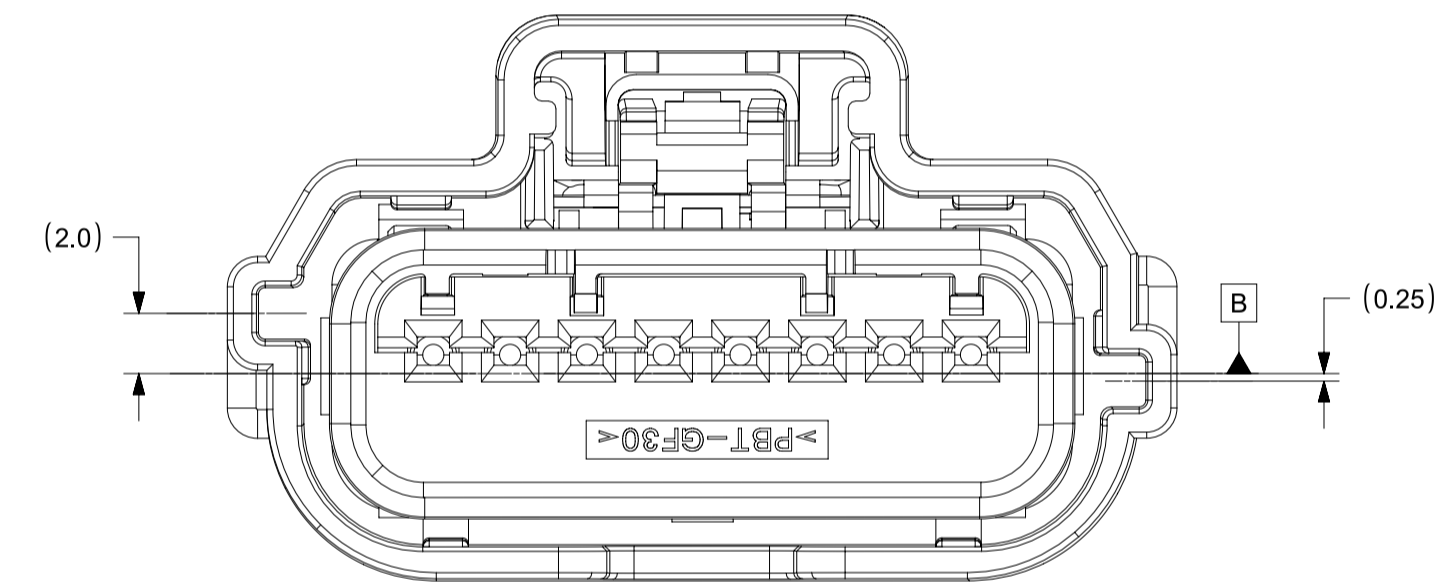
SECTION Y-Y  
TPA SHOWN IN FINAL  
LOCK POSITION POSITION  
SEE NOTE 1-a



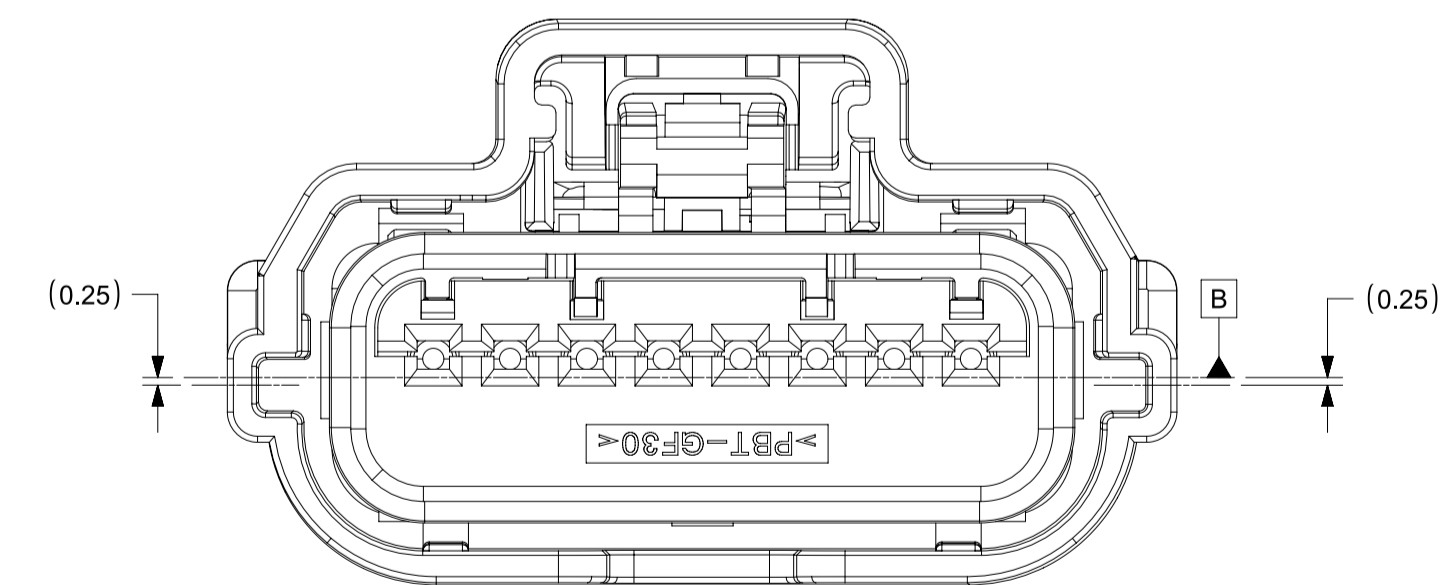
POLARIZATION A



POLARIZATION B

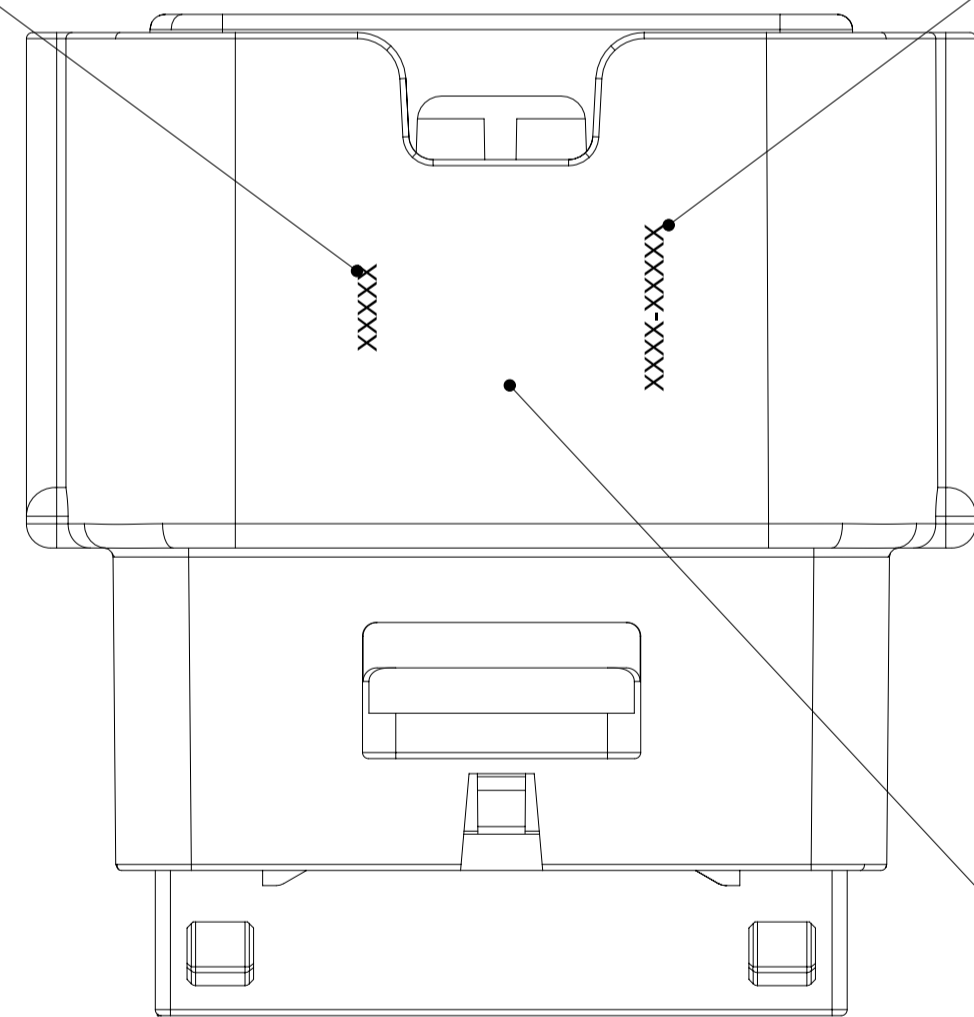


POLARIZATION C



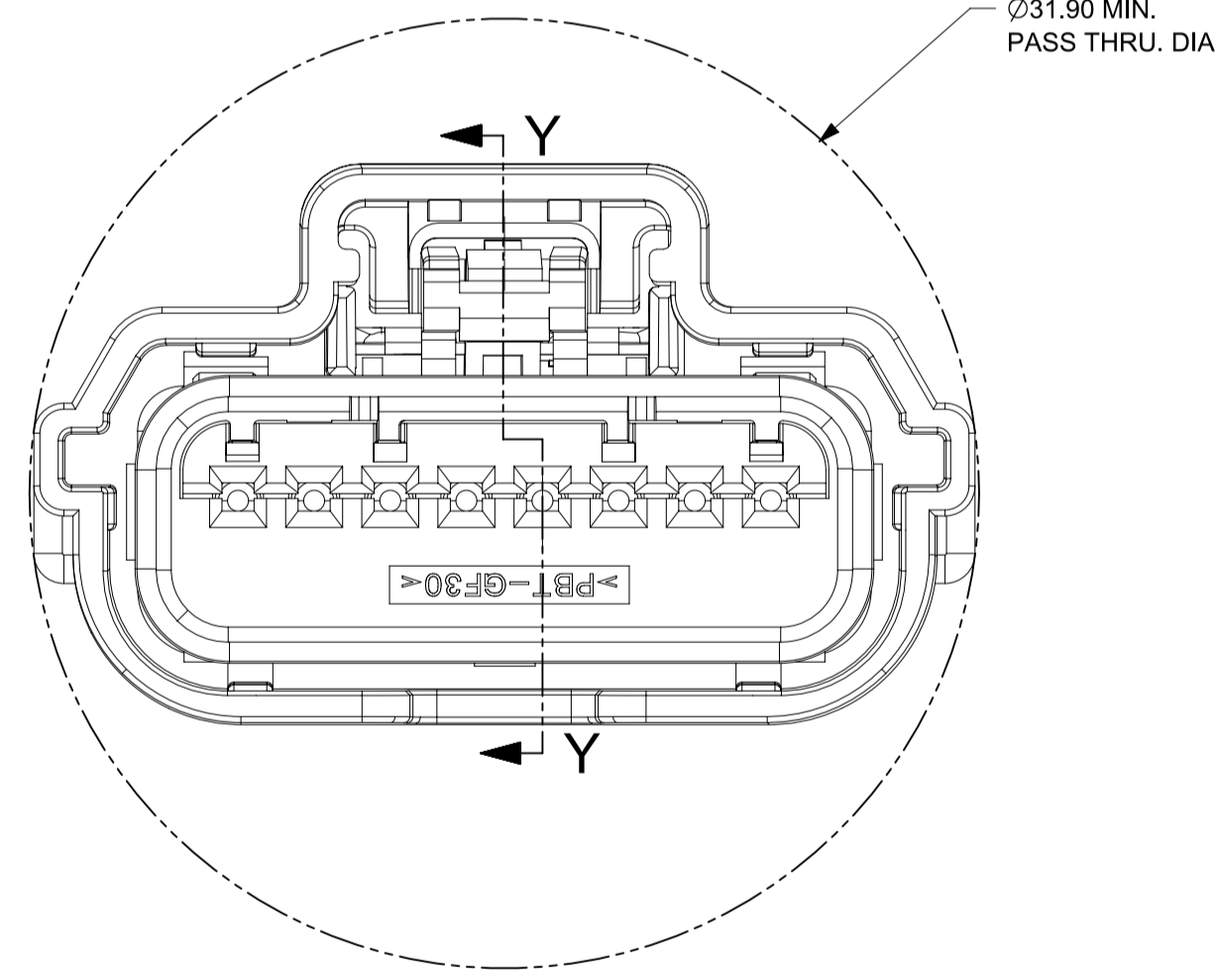
POLARIZATION D

DATE CODE  
SEE NOTE 3-b



MOLEX P/N

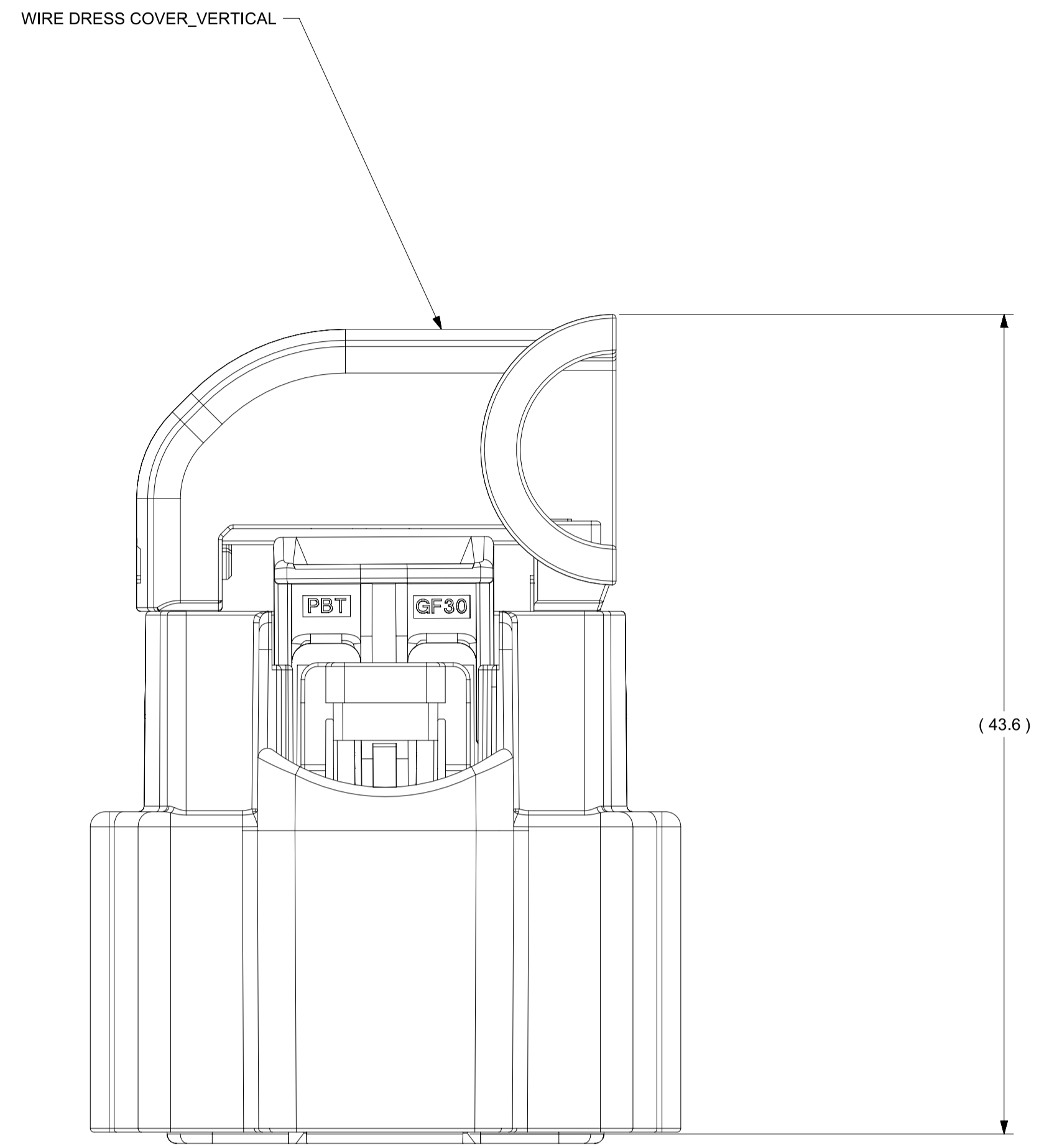
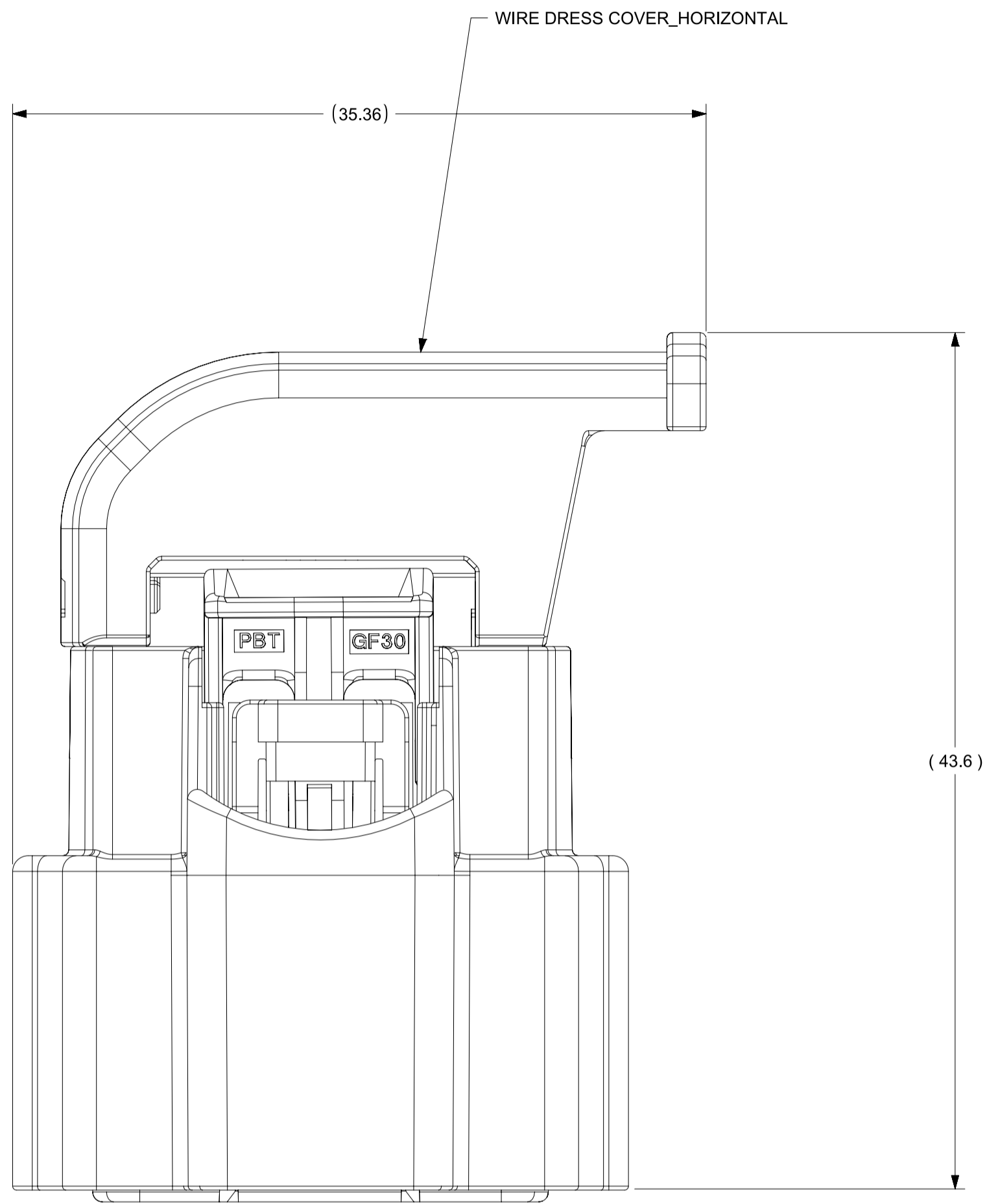
LASER MARKING APPLIED  
TO THIS SURFACE



4  
Ø31.90 MIN.  
PASS THRU. DIA.

SYMBOLS	THIS DRAWING CONTAINS INFORMATION THAT IS PROPRIETARY TO MOLEX ELECTRONIC TECHNOLOGIES, LLC AND SHOULD NOT BE USED WITHOUT WRITTEN PERMISSION		CURRENT REV DESC:				
	DIMENSION UNITS	SCALE					
▽ = 0	mm	4:1	GENERAL TOLERANCES (UNLESS SPECIFIED)		PRODUCT SALES DRAWING		
▽ = 0	ANGULAR TOL ± 0.5°		4 PLACES ± 0	DRWN: Yan Allen	15-Apr-2022	DOCUMENT NUMBER	DOC TYPE   DOC PART   REVISION
▽ = 0	3 PLACES ± 0		3 PLACES ± 0	CHK'D: Fiona Chen	20-Apr-2022	SD-31404-811	PSD   001   G12
▽ = 0	2 PLACES ± 0		2 PLACES ± 0	APPR: Colin Zhang	INITIAL REVISION:	MATERIAL NUMBER	CUSTOMER
▽ = 0	1 PLACE ± 0		1 PLACE ± 0	DRWN: Yan Allen	14-Feb-2022	GENERAL MARKET	SHEET NUMBER
▽ = 0	0 PLACES ± 0		0 PLACES ± 0	APPR: David Xie	24-Feb-2022	3 OF 4	
▽ = 0	DRAFT WHERE APPLICABLE MUST REMAIN WITHIN DIMENSIONS		THIRD ANGLE PROJECTION	DRAWING	SERIES		
▽ = 0				A1-SIZE	31404		

SHEET DESCRIPTION
WIRE DRESS COVER ASSEMBLY



<b>SYMBOLS</b> = 0 = 0 = 0 = 0 = 0 = 0 = 0 = 0 = 0	THIS DRAWING CONTAINS INFORMATION THAT IS PROPRIETARY TO MOLEX ELECTRONIC TECHNOLOGIES, LLC AND SHOULD NOT BE USED WITHOUT WRITTEN PERMISSION DIMENSION UNITS: <b>mm</b> SCALE: <b>4:1</b> GENERAL TOLERANCES (UNLESS SPECIFIED) ANGULAR TOL ± 0.5° 4 PLACES ± 0 3 PLACES ± 0 2 PLACES ± 0 1 PLACE ± 0 0 PLACES ± 0 DRAFT WHERE APPLICABLE MUST REMAIN WITHIN DIMENSIONS	CURRENT REV DESC:  EC NO: CO-000000853 DRWN: Yan Allen 15-Apr-2022 CHK'D: Fiona Chen 15-Apr-2022 APPR: Colin Zhang 20-Apr-2022 INITIAL REVISION: DRWN: Yan Allen 14-Feb-2022 APPR: David Xie 24-Feb-2022	  USCAR 0.64MM 8 WAY ADD NEW P/N: 314049184/9194  PRODUCT SALES DRAWING
	DOCUMENT NUMBER: <b>SD-31404-811</b> DOC TYPE: <b>PSD</b> DOC PART: <b>001</b> REVISION: <b>G12</b>	MATERIAL NUMBER: <b>31404</b> CUSTOMER: <b>GENERAL MARKET</b> SHEET NUMBER: <b>4 OF 4</b>	