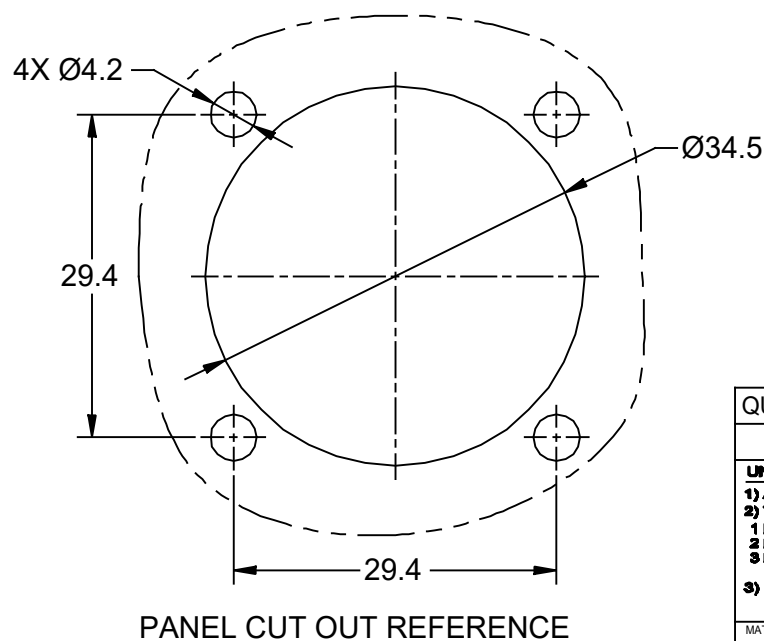
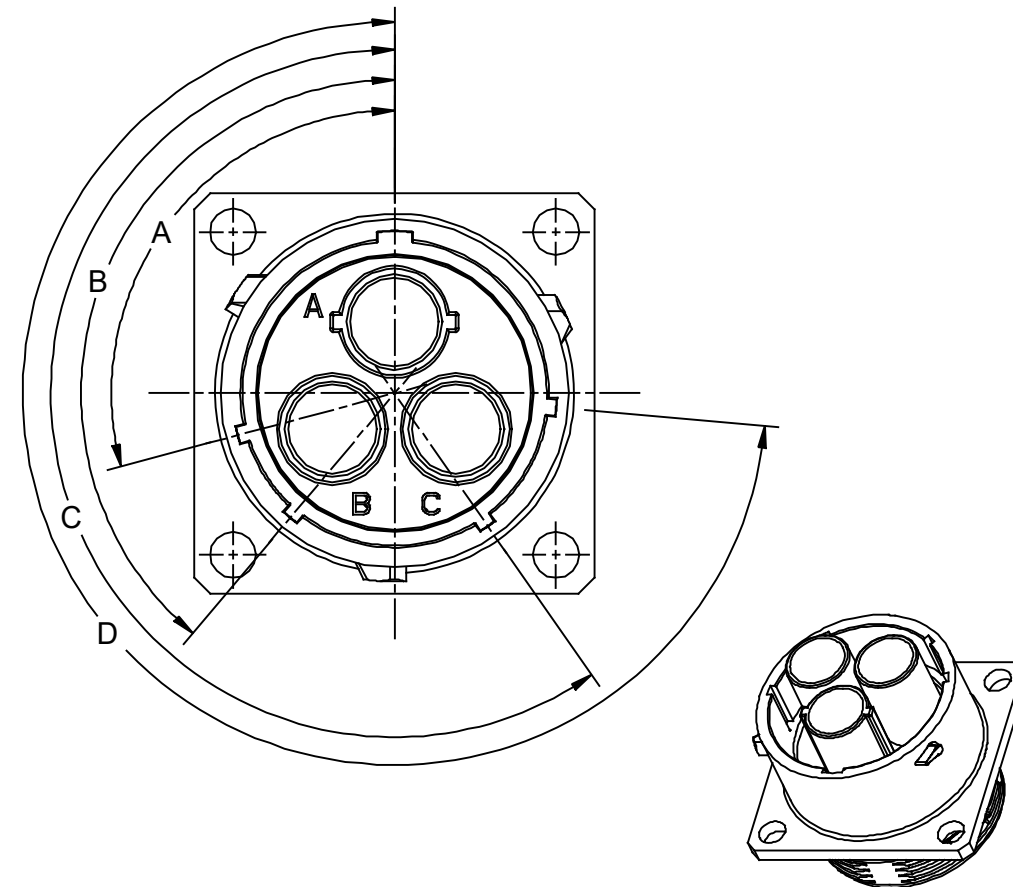
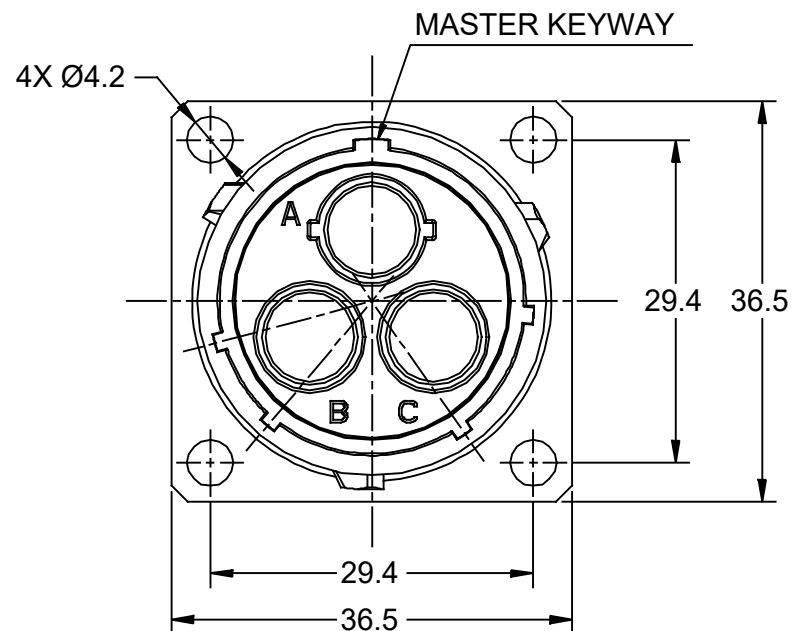
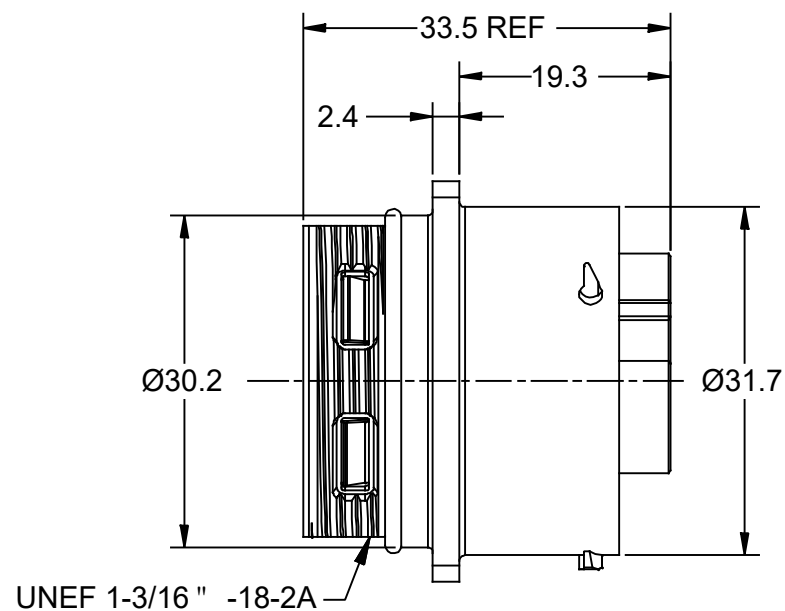


REVISIONS					
REV	ECO	DESCRIPTION	DATE	BY	APPR
A1	-	RELEASED DRAWING	Sep-25-2020	Ronald	Tommy



NOTES:

- MATERIAL:**
 - HOUSING BODY: ZINC DIE- CAST, NICKEL PLATED
 - INSULATION INSERT: PA66 ,UL94 V0
 - SEAL: SILICONE RUBBER
- SPECIFICATIONS:**
 - CURRENT RATING: 86 AMPS MAX.
 - VOLTAGE RATING: 630 V A C/DC
 - OPERATING TEMPERATURE: -40°C TO +125°C
 - DIELECTRIC WITHSTANDING VOLTAGE:
LESS THAN 2 MILLIAMPS CURRENT LEAKAGE @ 5000 VOLTS A C
 - DEGREE OF PROTECTION: I P67 (MATED CONDITION)
 - DEGREE OF POLLUTION: 3 PER UL840
 - OVERVOLTAGE CATEGORY: I II PER UL840
 - MATING CYCLE DURABILITY : >100 CYCLES
 - RoHS COMPLIANT
- ALL DIMENSIONS ARE FOR REFERENCE USE ONLY.**
- *** DENOTE KEY POSITION OF "N", "W", "X", "Y" OR "Z".**

KEY POS	PART NUMBER	A	B	C	D
N	RTHP0203SNH	105°	140°	215°	265°
W	RTHP0203SWH	79°	140°	215°	265°
X	RTHP0203SXH	105°	126°	215°	265°
Y	RTHP0203SYH	105°	140°	215°	259°
Z	RTHP0203SZH	105°	140°	215°	330°

QUANTITY	PART NUMBER	DESCRIPTION	ITEM
MATERIALS LIST			
UNLESS OTHERWISE SPECIFIED 1) All dimensions are in metric (mm). 2) Tolerances are as follows: 1 PL DEC ±0.30 2 PL DEC ±0.15 3 PL DEC ±0.00 Fractions ±1/64 Angles ±1° 3) Note reference =		SIGNATURES DRAWN: Ronald Sep-25-2020 CHECKED: Flan Sep-27-2020 ENGINEER: APPROVAL: Tommy Sep-28-2020	
MATERIAL SPECIFICATIONS: THIS DRAWING IS SUPPLIED FOR INFORMATION ONLY. DESIGN FEATURES, SPECIFICATIONS AND PERFORMANCE DATA SHOWN HEREON ARE THE PROPERTY OF THE AMPHENOL CORPORATION. NO RIGHT OF REPRODUCTION ARE IMPLIED. ALL DIMENSIONS ARE SUBJECT TO NORMAL MANUFACTURING VARIATIONS.		Amphenol Sine Systems - www.amphenol-sine.com 44724 Morley Drive Clinton Township, MI 48036	
PROCESS SPECIFICATIONS: NEXT ASSY:		3 Position Square Flange Receptacle, Female, Size 8 (3.6mm), Shell Size #20, High Amperage 630V SIZE TYPE DWG NO: RTHP0203S*H REVISION A1 SCALE: NONE SHEET 1 OF 1	

TITLE: ECOMMATE HIGH AMP RECEPTACLE POS SIZE 20
 DWG NO: RTHP0203S*H
 REV: A1
 SH: 1
 OF: 1