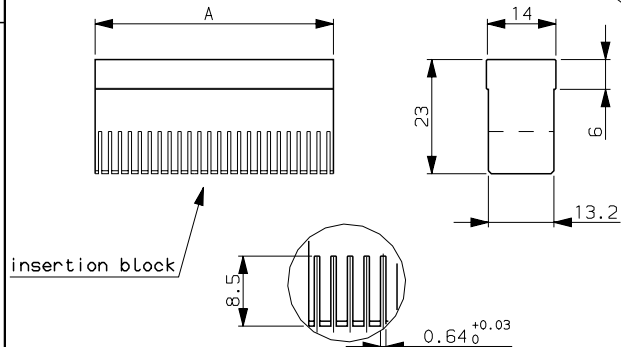


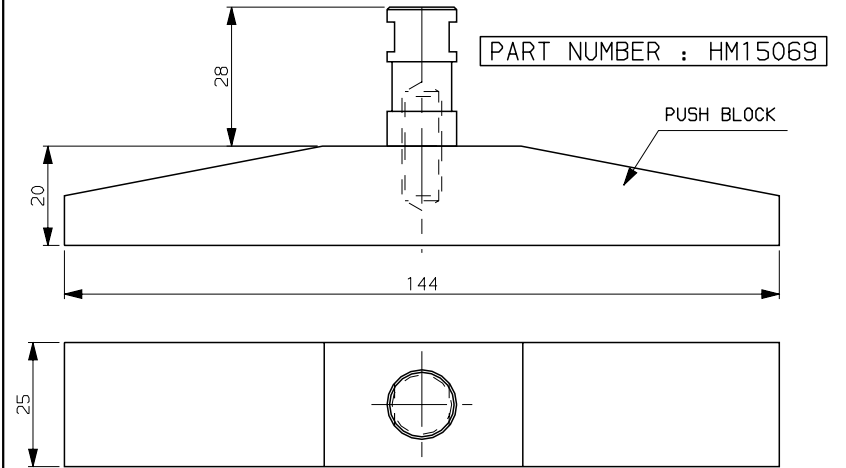
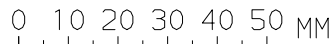
TABLE KIT : PAY 245 A1

HAND PRESS : HM2 Y 198
 HAND PRESS + TABLE KIT : PAY 245 M

PART NUMBER : HM150xx

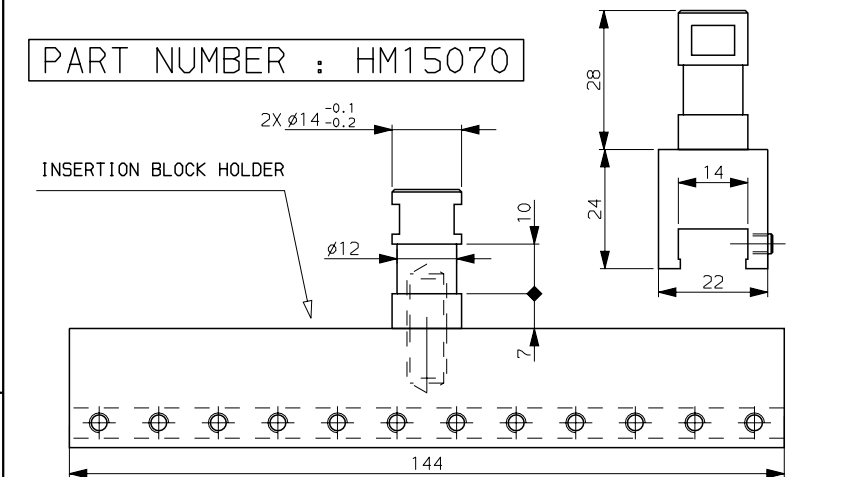


PART NUMBER	TYPE	A
HM15065	5X6	12
HM15066	5X12	24
HM15067	5X24	48
HM15068	5X48	96



PART NUMBER : HM15069

PUSH BLOCK



PART NUMBER : HM15070

INSERTION BLOCK HOLDER

(REDUCED SCALE SHEET)

f	02/12/99	Change insertion table HM15072 by PAY 245 A1	--
ISS	DATE	Latest modification by : LELEON	MOD N°
Designed by: ROUILLARD date 22/06/92			Type of drawing: CLIENT
TITLE : PRESS FIT INSERTION TOOL for male 5 row - MILLIPACS-1			SHEET 1/1
SCALE: 1	FRAMATOME CONNECTORS FRANCE Rue Louis Breguet - BP 05 72024 LE MANS Cedex Tel. 33 (16) 43.84.08.43		This document is the property of FRAMATOME CONNECTORS FRANCE It must not be reproduced or communicated without permission in writing from the owners
FORMAT A3	SOURIAU DRG N° C-8626-1002	PROJECT D92D035	