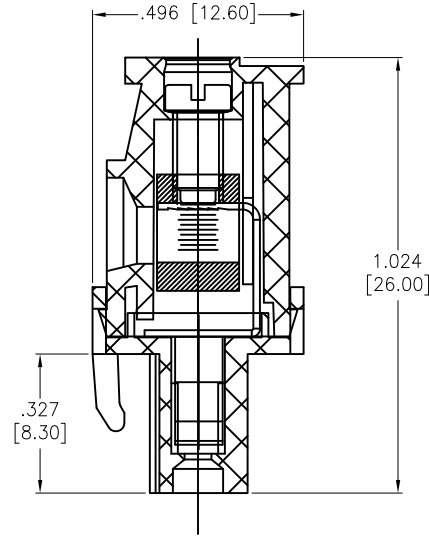
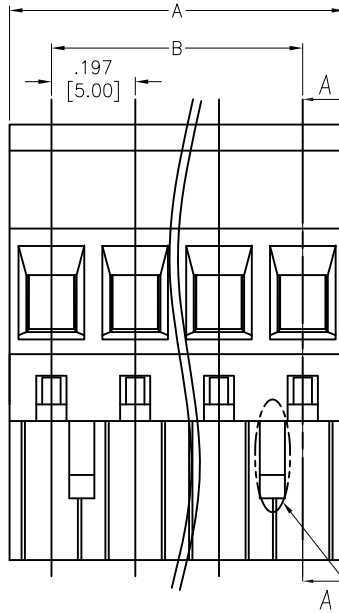
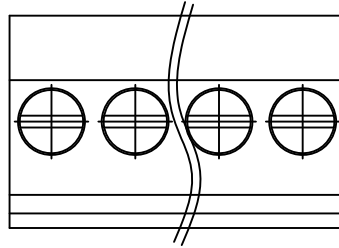


APPROVED: _____
 DATE: _____ TITLE: _____

Rev	AWO #	Description	Date	Appr
-		RELEASED	9/18/14	
A		UPDATE DRAWING	9/27/19	OW/RC



Only This Notch on 2P

SECTION A-A

SPECIFICATIONS:

Material:
 Insulator: PA66, rated UL 94V-0
 Insulator color: Green
 Screws: M3, Steel, Zinc plated
 Clamp: Phosphor Bronze, Nickel plated
 Cage: Brass, Nickel plated

Electrical:
 Voltage rated: 300V
 Current rating: 15A
 Contact resistance: 20 mohms
 Insulation resistance: 500 Mohms @ 500 VDC
 Dielectric withstanding voltage: 2,000 VAC for 1 minute

Mechanical:
 Wire range: 28-14AWG, 1.5mm²
 Torque: 0.5Nm, 4.5Lb-in
 Wire strip length: 7-8mm
 Temperature Rating:
 -40°C to +105°C
 Environmental:
 Lead free, RoHS compliant.



Positions: 02 thru 24
 $A = .197 [5.00] \times \text{No. of Positions}$
 $B = .197 [5.00] \times \text{No. of Spaces}$

UNLESS OTHERWISE SPECIFIED ALL DIMENSIONS ARE INCHES [MM] TOLERANCES: EXCEPT AS NOTED			
INCHES		HOLES	
.X	± .10	Ø.X	± .10
.XX	± .020	Ø.XX	± .015
.XXX	± .015	Ø.XXX	± .010

ADAM TECH
INTERCONNECTS
 909 Rahway Avenue,
 Union, NJ 07083
 Phone: 908-687-5000
 Fax: 908-687-5710

APPROVALS		DATE
DRAWN	HR	9/18/14
CHECKED	SY	9/18/14
APPROVED		

TITLE EURO BLOCK, .197 [5.00] PITCH			
SIZE X	PART NO. EB9A-XX-C	REV. A	
REF: S00067C	SCALE: NTS	SHEET 1 OF 1	