

CGA5L1C0G2A104J160AE

TDK Item Description : CGA5L1C0G2A104JT***S



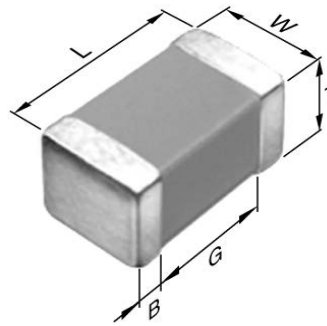
Equivalent C3216C0G2A104J for Automotive

Application & Main Feature

Automotive Grade (Soft Termination)

Series

CGA5(3216) [EIA 1206]



Dimensions

L	3.20mm +0.4,-0.2mm
W	1.60mm +0.3,-0.2mm
T	1.60mm +0.3,-0.2mm
B	0.20mm Min.
G	1.00mm Min.

Temperature Characteristic

C0G (-55 to 125 degC 0+/-30ppm/degC)

Rated Voltage

2A(100Vdc)

Capacitance

100nF

Capacitance Tolerance

J (±5%)

Q Factor

1000 Min.

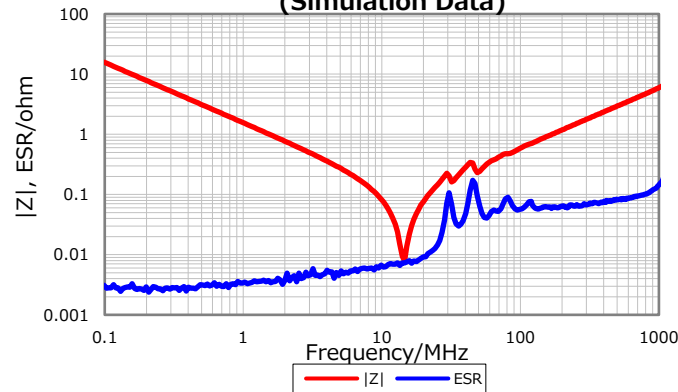
Insulation Resistance

5Gohm Min

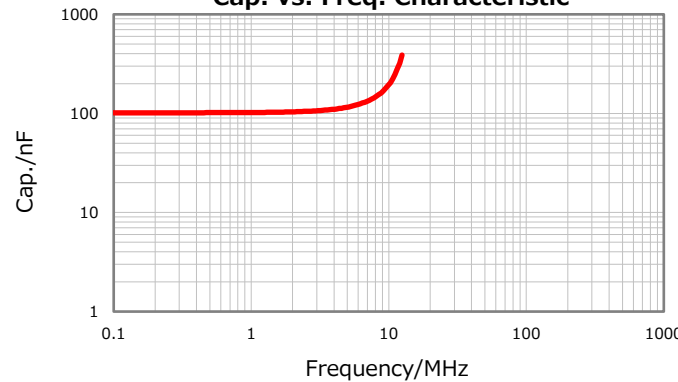
AEC-Q200

Yes

|Z|, ESR vs. Freq. Characteristics (Simulation Data)



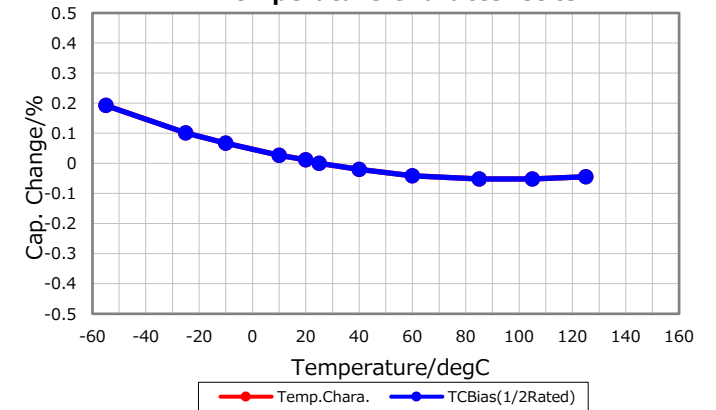
Cap. vs. Freq. Characteristic



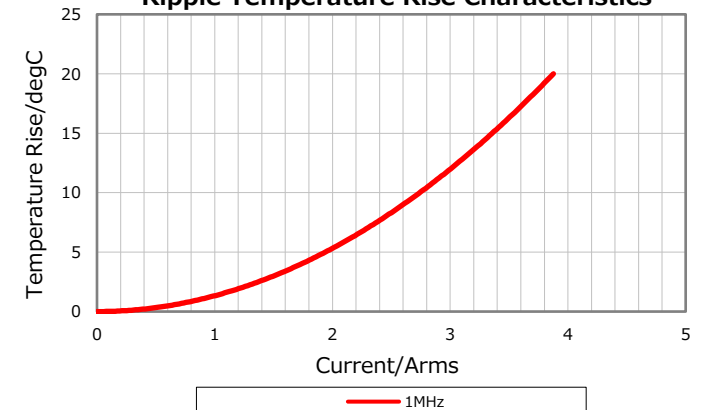
DC Bias Characteristic



Temperature Characteristics



Ripple Temperature Rise Characteristics



Characterization Sheet (Multilayer Ceramic Chip Capacitors)



All specifications are subject to change without notice.

June 24, 2019