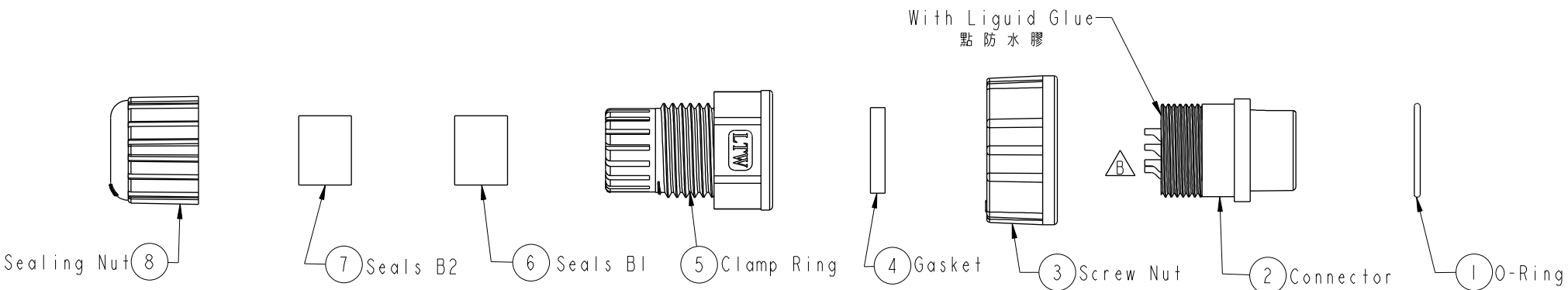


THIS DOCUMENT IS SUBJECT TO CHANGE WITHOUT NOTICE. IT IS CONFIDENTIAL AND A PROPERTY OF Amphenol LTW. DISCLOSURE TO THIRD PARTY HAS TO BE AUTHORIZED BY Amphenol LTW.

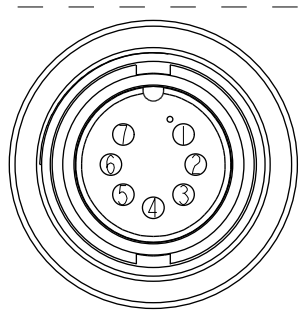
REV.	ECN NO.	DATE	SIGN	DESCRIPTION
B	LEN-0C0091	2010/11/23	IVNA	Change View



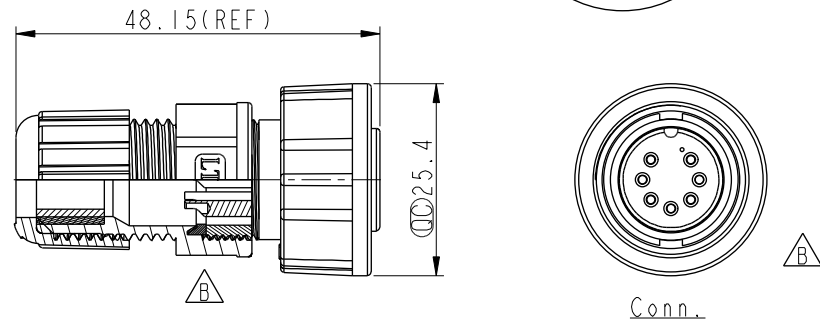
ALTW
CONFIDENTIAL
2012-04-10
R&D DEPT.

ALTW
DCC. DEPT.
CONFIDENTIAL
2012-06-11
ISSUED

- Note:
- * \varnothing Important Dimension.
 - * Waterproof Rate: IP67
 - * Housing: Nylon+GF, Black.
 - * Female Pin: Copper Alloy, Gold Plated.
 - * O-Ring: EPDM, Black.
 - * Screw Nut: Nylon+GF, Black.
 - * Gasket: EPDM, Black.
 - * Seals :EPDM, Black
 - * Clamp Ring: Nylon, Black.
 - * Sealing Nut: Nylon, Black.
 - * Liquid Glue: Clear
 - * Seals B1 for Cable OD: $\varnothing 7.6\text{mm} \sim \varnothing 9.6\text{mm}$
(防水墊圈1線徑 $\varnothing 7.6\text{mm} \sim \varnothing 9.6\text{mm}$)
 - * Seals B2 for Cable OD: $\varnothing 4.0\text{mm} \sim \varnothing 7.6\text{mm}$
(防水墊圈2線徑: $\varnothing 4.0\text{mm} \sim \varnothing 7.6\text{mm}$)
 - * One Set Unassembled in One PE Bag.
(每一組未組裝, 放置於一個PE袋, 並封口)



Pin Assignments
Front View 前視圖



UNIT: mm		
TOLERANCE	± 0.25	± 0.1
.X	± 0.1	± 0.05
.XX	± 0.1	± 0.05
.XXX	± 0.05	± 0.05
ANGLES	$\pm 1^\circ$	

TITLE Middle Assy Screw 7Pin F Conn F Pin			
SCALE 1:1	SIZE A4	SHEET 1 OF 1	
REV. B	WC-REV. A.2	\varnothing : Inspection item	

Amphenol LTW
安費諾亮泰企業股份有限公司

ITEM NO. CD-07BFFA-SL7001	DRAWN BY SamChang	DATE 2012-04-10
DWG NO. CD-07BFFA-SL7001	CHECKED BY Jeffrey	DATE 2012-06-11
CUSTOMER ALTW	APPROVED BY Lion	DATE 2012-06-11