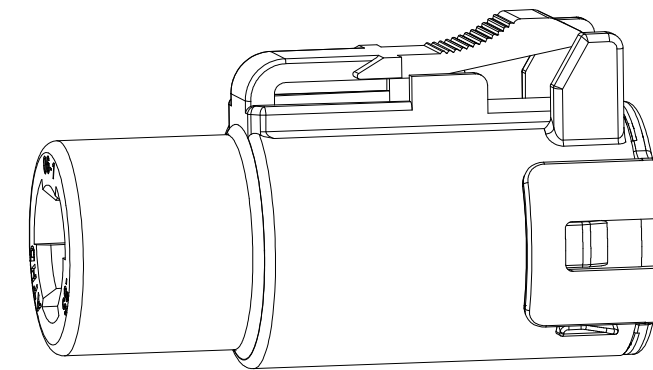
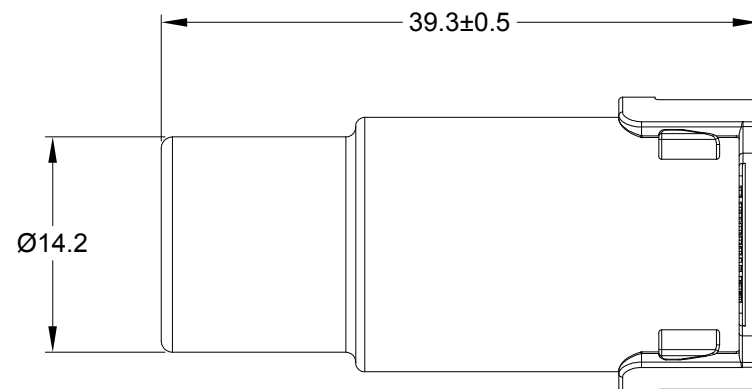
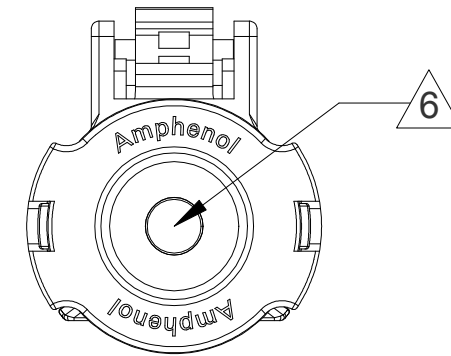


REVISIONS					
REV	ECO	DESCRIPTION	DATE	BY	APPR
A1	-	RELEASE NUMBER	27MAY20	VITO	TOMMY
A2	-	CHANGE IP RATE FROM IP67 TO IP67&IP69K	27OCT20	VITO	TOMMY



NOTES: UNLESS OTHERWISE SPECIFIED

1. MATERIAL:
HOUSING: THERMOPLASTIC; COLOR:BLACK
SEAL: SILICONE RUBBER
2. MODIFICAIONS:END CAP
3. SPECIFICATIONS:
 - 3.1 CURRENT RATING: 60 AMPS
 - 3.2 OPERATING TEMPERATURE: -55°C TO +125°C
 - 3.3 DIELECTRIC WITHSTANDING VOLTAGE: LESS THAN 2 MILLIAMPS CURRENT LEAKAGE @ 1500 VOLTS AC.
 - 3.4 INSULATION RESISTANCE: 1000 MEGOHMS MIN @ 25°C.
 - 3.5 MOISTURE RESISTANCE: IP67&IP69K (MATED CONDITION)
 - 3.6 MATING CYCLE DURABILITY: 100 CYCLES
 - 3.7 RoHS COMPLIANT
4. MATING PART:ATHD04-1-8P* RECEPTACLE
(* = MODIFICATIONS)
5. ALL DIMENSIONS ARE FOR REFERENCE USE ONLY.

6 CONTACT SIZE AND REAR SEAL WIRE RANGE:

CONTACT SIZE	MIN. INSUL O.D.	MAX. INSUL O.D.	TYPICAL WIRE RANGE
08	4.83 mm (.190 in)	6.09 mm (.240 in)	8 - 10 AWG (8.0-5.0 mm ²)

TITLE: 1 POS, PLUG, SOCKET, ATHD SERIES SIZE 8, CONTACTS-E003, BLACK
DWG NO.: ATHD06-1-8S-E003
REV: A2
SH: 1
OF: 1

ATHD06-1-8S-E003		DESCRIPTION		ITEM
PART NUMBER		DESCRIPTION		ITEM
QUANTITY	MATERIALS LIST			
UNLESS OTHERWISE SPECIFIED		SIGNATURES		DATE
1) All dimensions are in metric(mm).		DRAWN: VITO		27/OCT/20
2) Tolerances are as follows:		CHECKED: ORION		28/OCT/20
1 PL DEC ±0.30		ENGINEER:		
2 PL DEC ±0.15		APPROVAL: TOMMY		29/OCT/20
3 PL DEC ±0.08		CUSTOMER:		
3) Note reference = X		THIS DRAWING IS SUPPLIED FOR INFORMATION ONLY. DESIGN FEATURES, SPECIFICATIONS AND PERFORMANCE DATA SHOWN HEREON ARE THE PROPERTY OF THE AMPHENOL CORPORATION. NO RIGHTS OF REPRODUCTION ARE IMPLIED. ALL DIMENSIONS ARE SUBJECT TO NORMAL MANUFACTURING VARIATIONS.		
MATERIAL SPECIFICATIONS:		Sine Systems - www.amphenol-sine.com 44724 Morley Drive Clinton Township, MI 48036		
PROCESS SPECIFICATIONS:		1 POS, PLUG, SOCKET, ATHD SERIES, SIZE 8, CONTACTS-E003, BLACK		
NEXT ASSY:		SIZE	TYPE	DWG NO:
		B	C-	ATHD06-1-8S-E003
		SCALE: NONE		REVISION A2
		SHEET 1 OF 1		