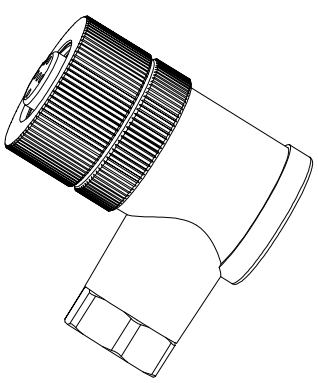
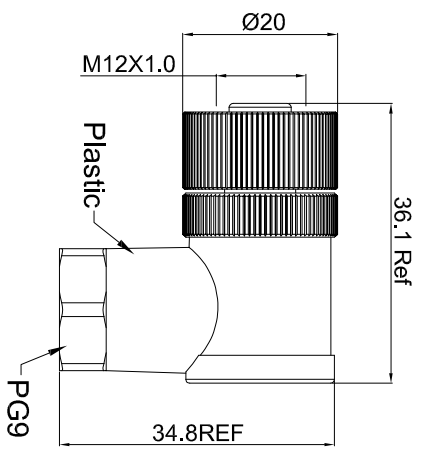
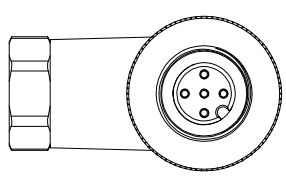


| | | | | | | |
|---|---|---|---|---|---|---|
| 1 | 2 | 3 | 4 | 5 | 6 | 7 |
|---|---|---|---|---|---|---|



TERMINATION: SCREW

Electrical Character

| Part Number | Contacts | Rated Voltage | | Rated Current | Contact Resistance | Cable OD (mm) |
|---------------------|----------|---------------|------|---------------|--------------------|---------------|
| | | A/C | D/C | | | |
| A-M12-03-FAPA-GEB1a | | 250V | 250V | 4A | ≤10mΩ | 6~8 |
| A-M12-04-FAPA-GEB1a | | 250V | 250V | 4A | ≤10mΩ | 6~8 |
| A-M12-05-FAPA-GEB1a | | 60V | 60V | 4A | ≤10mΩ | 6~8 |
| A-M12-08-FAPA-GEB1a | | 30V | 30V | 2A | ≤10mΩ | 6~8 |

② Notes:

1. Waterproof connector rating is IP67/IP68
2. Contact PIN: Phosphor bronze with 1u" Gold plating
3. Coupling nut/screw: Brass with nickel plating
4. Insulation plastic: PA66+GF Black UL94V-0
5. Insulation Resistance: >100MΩ
6. Mating Cycle: 100 times Min, 500 times Max.
7. Operating temperature: -25°C~+85°C
- ① 8. Unshielded

RoHS compliant

Unit: mm

| Scale | Free | | | | |
|-----------|-------|-----|---|------------|-------|
| TOLERANCE | | | | | |
| .X | ±0.5 | | | | |
| .XX | ±0.20 | ② | Remove "resistance many oils and chemical" from notes | 06.09.2019 | Any |
| DIM | TOL | ① | Update the notes | 26.04.2019 | Segal |
| X.° | ±2.0° | ① | Drawn | 29.06.2018 | Segal |
| .X° | ±1.0° | ① | | | |
| Angle | TOL | Id. | Modification | Date | Name |

| | Date | Name |
|----------|------------|-------|
| Drawn | 29.06.2018 | Segal |
| Approved | 06.09.2019 | Any |



| | | |
|-----------------|---------------------|-------|
| Customer-No. | | |
| ASSMANN WSW-No. | A-M12-xx-FAPA-GEB1a | |
| Drawing-No. | ASS 8018 CO | rev02 |
| Replace | | Sheet |

| | | | | | | |
|---|---|---|---|---|---|---|
| 1 | 2 | 3 | 4 | 5 | 6 | 7 |
|---|---|---|---|---|---|---|