

## Cable gland - G-INS-PG42-M68N-PNES-LG - 1424493

Please be informed that the data shown in this PDF Document is generated from our Online Catalog. Please find the complete data in the user's documentation. Our General Terms of Use for Downloads are valid (<http://phoenixcontact.com/download>)




Cable gland, cable gland material: PA, external cable diameter 30 mm ... 38 mm, shielding: no, connecting thread: Pg42, color: lightgrey RAL 7035

### Your advantages

- ✓ Plastic material conforms to UL 746C f1

### Key Commercial Data

Packing unit	1 pc
GTIN	 4 055626 373232
GTIN	4055626373232

### Technical data

#### Dimensions

Length	65 mm
Wrench size, union nut	60 mm
Wrench size, support	60 mm
Hexagon angular dimension	67.7 mm
Length of the connecting thread	13 mm
Feed-through hole diameter	54.1 mm ... 54.4 mm
External cable diameter	30 mm ... 38 mm
	30 mm ... 38 mm (for UL 514 B)

#### Ambient conditions

Degree of protection (IP)	IP68 (5 bar / 0.5 h)
Ambient temperature (operation)	-40 °C ... 100 °C (static)

#### General

No. of conductors	1
Cable gland material	PA

# Cable gland - G-INS-PG42-M68N-PNES-LG - 1424493

## Technical data

### General

Cable seal material	CR
Flammability rating according to UL 94	V2
	V2 (Housing)
Shielded	no
Thread type connection side	Pg42
Thread type on connection side	Pg42
Torque	14 Nm (Union nut: EN 62444)
	14 Nm (Support: EN 62444)
	20 Nm (for UL514 B: union nut)
Color	lightgrey RAL 7035
Assembly instructions	1) Mount screw connection support in the housing using the correct torque 2) Insert cable 3) Tighten union nut using the correct torque
Manufacturer	BIMED
Manufacturer Designation	BS-19

### Standards and Regulations

Flammability rating according to UL 94	V2
--	----

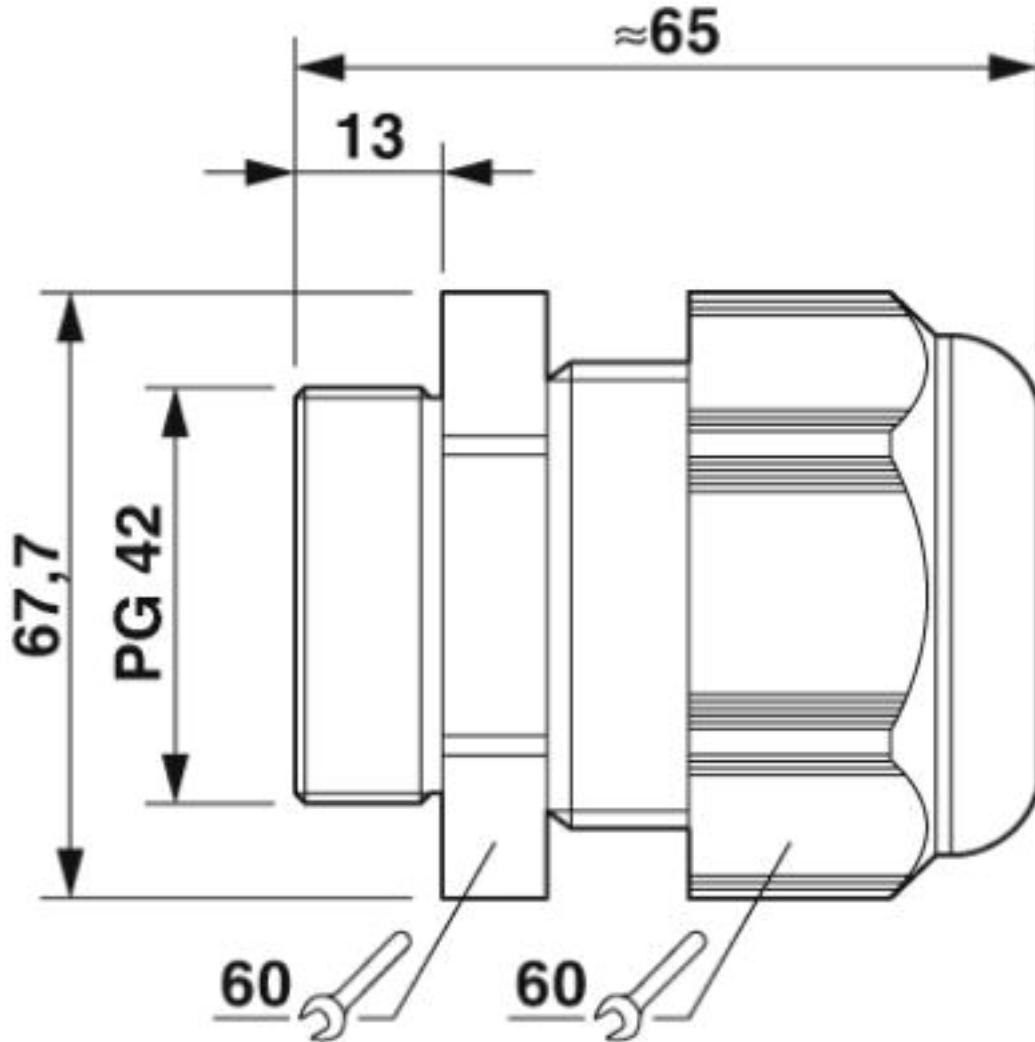
### Environmental Product Compliance

China RoHS	Environmentally friendly use period: unlimited = EFUP-e
	No hazardous substances above threshold values

## Drawings

# Cable gland - G-INS-PG42-M68N-PNES-LG - 1424493

Dimensional drawing



Dimensional drawing

Approvals

Approvals

---

Approvals

CSA / UL Listed

---

Ex Approvals


---

Approval details

## Cable gland - G-INS-PG42-M68N-PNES-LG - 1424493

### Approvals

CSA		<a href="http://www.csagroup.org/services-industries/product-listing/">http://www.csagroup.org/services-industries/product-listing/</a>	115116
-----	---	---	--------

UL Listed		<a href="http://database.ul.com/cgi-bin/XYV/template/LISEXT/1FRAME/index.htm">http://database.ul.com/cgi-bin/XYV/template/LISEXT/1FRAME/index.htm</a>	E199260
-----------	---	---	---------

Phoenix Contact 2019 © - all rights reserved  
<http://www.phoenixcontact.com>

PHOENIX CONTACT GmbH & Co. KG  
Flachmarktstr. 8  
32825 Blomberg  
Germany  
Tel. +49 5235 300  
Fax +49 5235 3 41200  
<http://www.phoenixcontact.com>