

SCALE 2:1
The Arrow of the coding (Inline with the coding) of M12 connector
Brad Logo on the Opposite Side

CABLE PRINT:
[MOLEX ETHERNET CABLE CAT6A 4x2x26] [MX PN] [(MX OLD ENG NO)] [DATE CODE] according to WN-0001
i.e. MOLEX ETHERNET CABLE CAT6A 4x2x26 1203410300 (E22E06020M005) MX1922

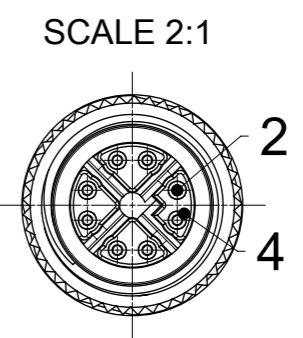
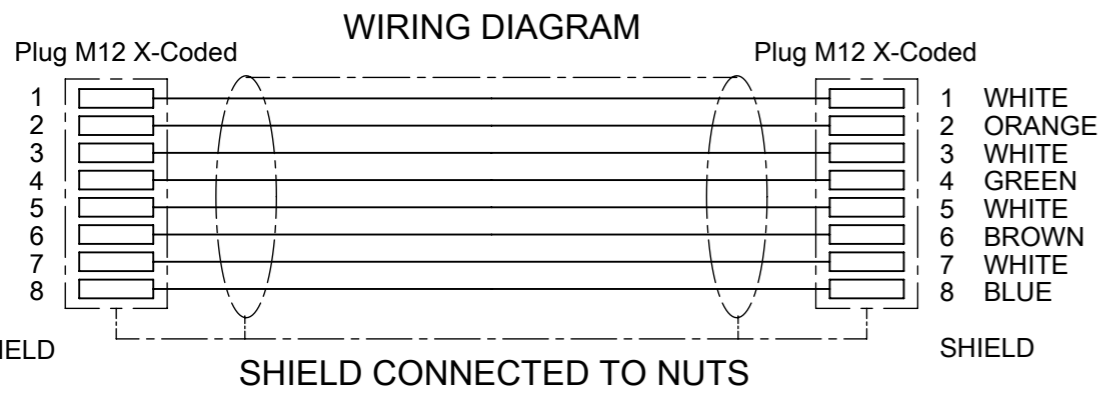
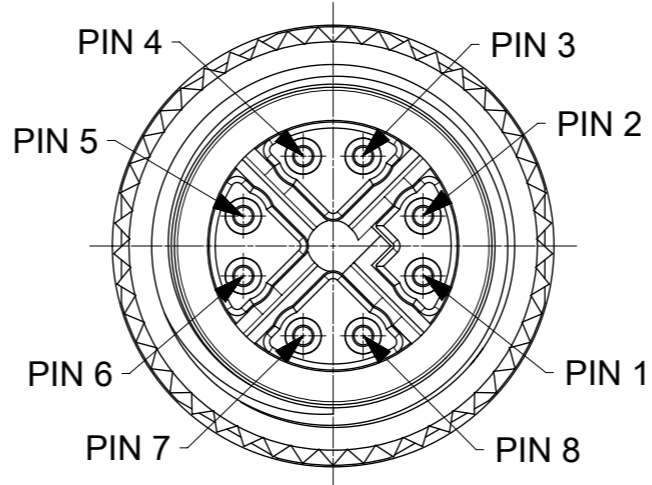


TABLE 1

MOLEX PN	ENGINEERING NO.	DESCRIPTION	L [mm]
1203410300	E22E06020M005	M12 CAT6A M/M ST/ST PUR BLUE	500
1203410301	E22E06020M010	M12 CAT6A M/M ST/ST PUR BLUE	1000
1203410302	E22E06020M020	M12 CAT6A M/M ST/ST PUR BLUE	2000
1203410303	E22E06020M030	M12 CAT6A M/M ST/ST PUR BLUE	3000
1203410304	E22E06020M040	M12 CAT6A M/M ST/ST PUR BLUE	4000
1203410305	E22E06020M050	M12 CAT6A M/M ST/ST PUR BLUE	5000
1203410306	E22E06020M100	M12 CAT6A M/M ST/ST PUR BLUE	10000
1203410307	E22E06020M150	M12 CAT6A M/M ST/ST PUR BLUE	15000
1203410308	E22E06020M200	M12 CAT6A M/M ST/ST PUR BLUE	20000
1203410309	E22E06020M300	M12 CAT6A M/M ST/ST PUR BLUE	30000
1203410310	E22E06020M400	M12 CAT6A M/M ST/ST PUR BLUE	40000
1203410311	E22E06020M250	M12 CAT6A M/M ST/ST PUR BLUE	25000
1203410313	E22E06020M015	M12 CAT6A M/M ST/ST PUR BLUE	1500
1203410371	E22E06020M500	M12 CAT6A M/M ST/ST PUR BLUE	50000
1203410372	E22E06020M600	M12 CAT6A M/M ST/ST PUR BLUE	60000
1203410373	E22E06020M700	M12 CAT6A M/M ST/ST PUR BLUE	70000
1203410374	E22E06020M080	M12 CAT6A M/M ST/ST PUR BLUE	8000
1203410375	E22E06020M120	M12 CAT6A M/M ST/ST PUR BLUE	12000
1203410376	E22E06020M180	M12 CAT6A M/M ST/ST PUR BLUE	18000
1203410377	E22E06020M220	M12 CAT6A M/M ST/ST PUR BLUE	22000
1203410378	E22E06020M350	M12 CAT6A M/M ST/ST PUR BLUE	35000
1203410379	E22E06020M450	M12 CAT6A M/M ST/ST PUR BLUE	45000
1203410380	E22E06020M550	M12 CAT6A M/M ST/ST PUR BLUE	55000
1203410381	E22E06020M650	M12 CAT6A M/M ST/ST PUR BLUE	65000
1203410385	E22E06020M005H	M12 CAT6A M/M ST/ST PUR BLUE	500
1203410386	E22E06020M010H	M12 CAT6A M/M ST/ST PUR BLUE	1000
1203410396	E22E06020M015H	M12 CAT6A M/M ST/ST PUR BLUE	1500
1203410387	E22E06020M020H	M12 CAT6A M/M ST/ST PUR BLUE	2000
1203410388	E22E06020M030H	M12 CAT6A M/M ST/ST PUR BLUE	3000
1203410389	E22E06020M040H	M12 CAT6A M/M ST/ST PUR BLUE	4000
1203410390	E22E06020M050H	M12 CAT6A M/M ST/ST PUR BLUE	5000
1203410391	E22E06020M100H	M12 CAT6A M/M ST/ST PUR BLUE	10000
1203410392	E22E06020M150H	M12 CAT6A M/M ST/ST PUR BLUE	15000
1203410393	E22E06020M200H	M12 CAT6A M/M ST/ST PUR BLUE	20000
1203410394	E22E06020M300H	M12 CAT6A M/M ST/ST PUR BLUE	30000
1203410395	E22E06020M400H	M12 CAT6A M/M ST/ST PUR BLUE	40000
1203410397	E22E06020M500H	M12 CAT6A M/M ST/ST PUR BLUE	50000
1203410398	E22E06020M600H	M12 CAT6A M/M ST/ST PUR BLUE	60000
1203410399	E22E06020M700H	M12 CAT6A M/M ST/ST PUR BLUE	70000
1203410823	E22E06020M340	M12 CAT6A M/M ST/ST PUR BLUE	34000
1203410859	E22E06020M070	M12 CAT6A M/M ST/ST PUR BLUE	7000



Connector Pin Assignment
Plug M12 X-Coded
Pin Side View



Wiring Scheme
PLUG M12 XC
1 White
2 Orange
3 White
4 Green
5 White
6 Brown
7 White
8 Blue

SCALE 4:1

Technical data:

M12 X-Coded CAT6 8P Cordset AWG26 straight blue inline 360° shielded.

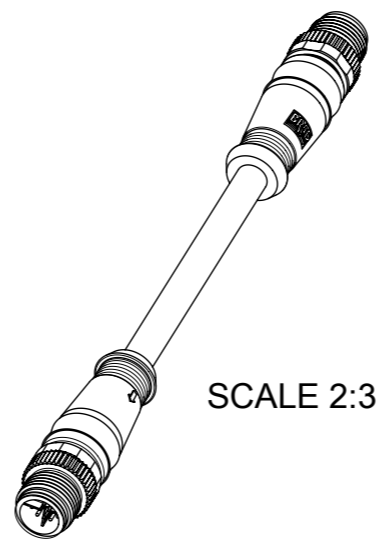
- Poles: 8
- Max. Voltage: 48V
- Max. Current: 0.5A
- Contact resistance: <5mOhm
- Insulation withstand: >100MOhm
- Protection: IP67
- Temperature range: -40°C to 70°C
- Transmission characteristics (category): CAT6_A

Product specification see: PS-120341-001

Packaging:
The cordsets are packed in a polybag.

BOM

ITEM	QTY	DESCRIPTION	MATERIAL	FINISH
1	-	CABLE 4x2xAWG 26 BLUE	PUR	-
2	16	CONTACT 6 MALE	BRASS	GOLD OVER NICKEL
3	2	OVERMOLD BLACK	TPU	-
4	2	INSERT M12 CAT6A MALE 8P BLACK	PA6	-
5	2	SHELL M12 CAT6A	ZINC DIE-CAST	NICKEL PLATED
6	2	NUT M12 MALE	BRASS	NICKEL PLATED



SCALE 2:3

TABLE 2

CABLE LENGTH TOLERANCES	
LENGTH	TOLERANCE
0m-1m	+40 mm
>1m-5m	+60 mm
>5m-10m	+80 mm
>10m-20m	+140 mm
>20m-30m	+160 mm
>30m	+1% length

THIS DRAWING CONTAINS INFORMATION THAT IS PROPRIETARY TO MOLEX ELECTRONIC TECHNOLOGIES, LLC AND SHOULD NOT BE USED WITHOUT WRITTEN PERMISSION

SYMBOLS	DIMENSION UNITS	SCALE	CURRENT REV DESC: NEW P/N - 1203410859 ADDED IN TABLE 2, TOL. TABLE ADDED	molex		
▽ = 0	mm	1:1	EC NO: 625632			
▽ = 0	GENERAL TOLERANCES (UNLESS SPECIFIED)			DRWN: MDHARMANTI	2019/10/10	PRODUCT CUSTOMER DRAWING
▽ = 0	ANGULAR TOL ± 1.0°			CHK'D: RSILLER	2019/10/15	
▽ = 0	4 PLACES ±			APPR: RSILLER	2019/10/15	DOCUMENT NUMBER
▽ = 0	3 PLACES ±			INITIAL REVISION:		1203410300
▽ = 0	2 PLACES ± 0.05			DRWN: FGAIK	2017/06/19	DOC TYPE
▽ = 0	1 PLACE ± 0.3			APPR: BBRAUCH	2017/06/21	DOC PART
▽ = 0	0 PLACES ± 0.5			DRAFT WHERE APPLICABLE MUST REMAIN WITHIN DIMENSIONS		REVISION
▽ = 0	THIRD ANGLE PROJECTION			DRAWING	SERIES	MATERIAL NUMBER
▽ = 0	A3-SIZE			120341	SEE TABLE 1	CUSTOMER
				GENERAL MARKET		SHEET NUMBER
						1 OF 1