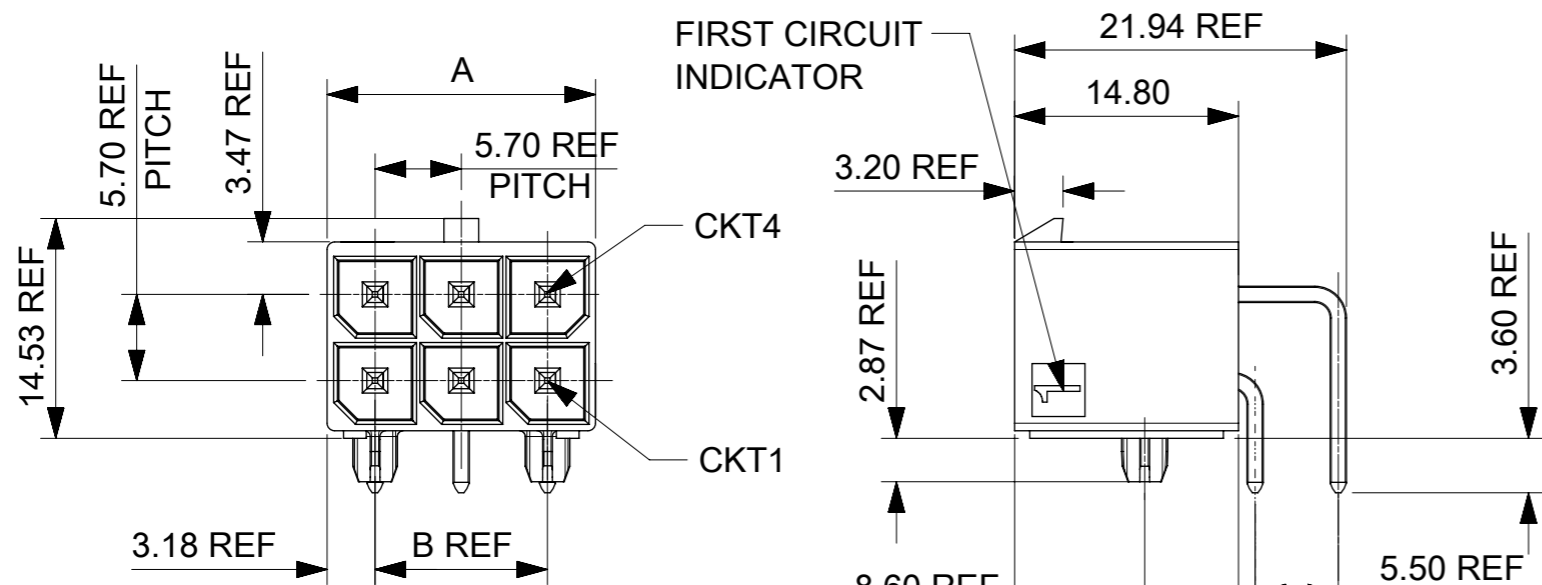
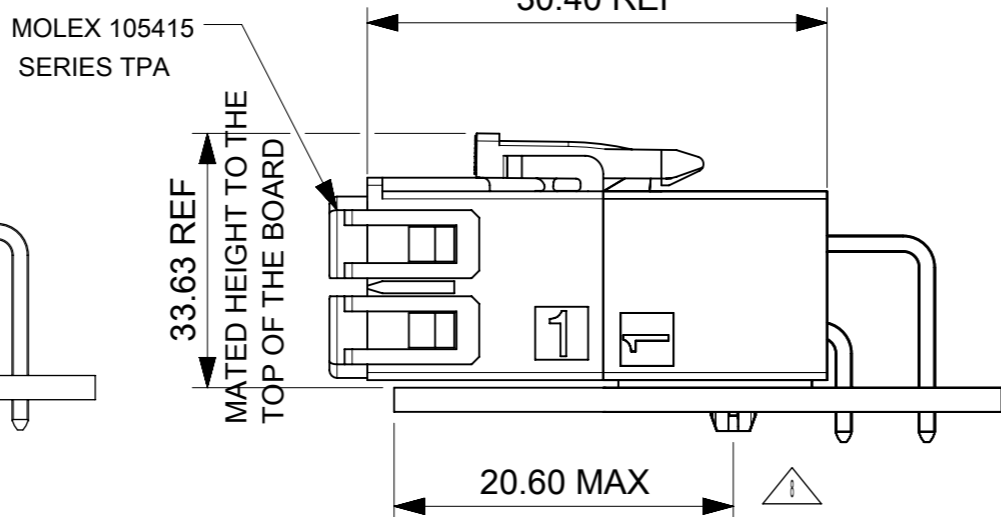
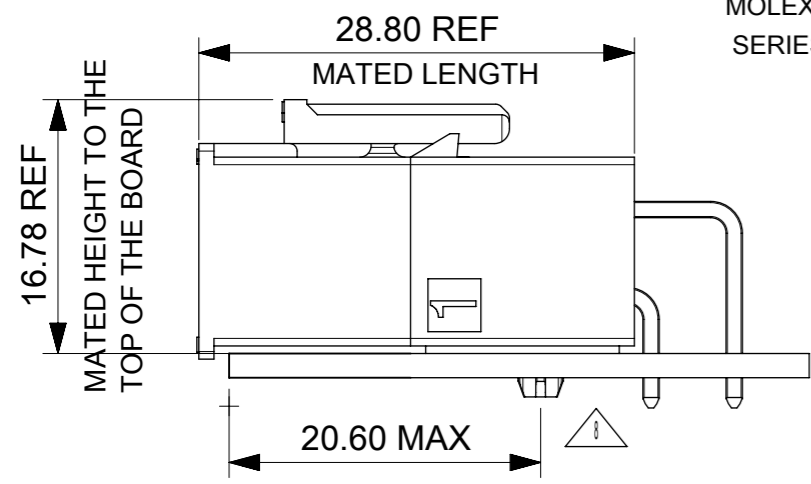
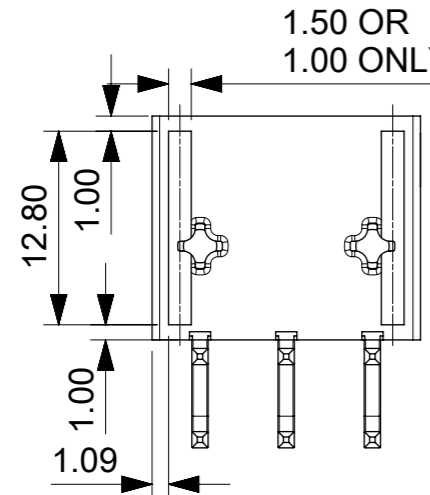


76825-0006 SHOWN

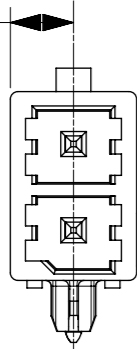


- NOTES:
- MATERIAL:
HOUSING LCP, UL94V-0, GLOW WIRE CAPABLE PER IEC-60335-1 5TH EDITION, COLOR: BLACK.
TERMINAL: HIGH CONDUCTIVITY COPPER.
 - TERMINAL PLATING:
(TIN) 1.52 MICROMETER MIN (60 MICROINCH MIN) REFLOWED MATTE TIN OVER
1.27 MICROMETER MIN (50 MICROINCH MIN) MIN NICKEL OVERALL.
(15 GOLD) 0.38 MICROMETER MIN (15 MICROINCH MIN) SELECTIVE GOLD ON CONTACT AREA
WITH 2.54 MICROMETER MIN (100 MICROINCHES MIN) SELECTIVE TIN ON SOLDER AREA
BOTH OVER 1.27 MICROMETER MIN (50 MICROINCHES MIN) NICKEL OVERALL.
(30 GOLD) 0.76 MICROMETER MIN (30 MICROINCH MIN) SELECTIVE GOLD ON CONTACT AREA
WITH 2.54 MICROMETER MIN (100 MICROINCHES MIN) SELECTIVE TIN ON SOLDER AREA
BOTH OVER 1.27 MICROMETER MIN (50 MICROINCHES MIN) NICKEL OVERALL.
 - PRODUCT SPECIFICATION PS-76823-100, 1720631000-PS
 - PACKAGING: TRAY PACKED PER MOLEX SPECIFICATION PK-76825-0000, WHILE T&R IS 1720640900.
 - PART MATES WITH MOLEX PART NUMBER 170001 AND 171692 SERIES.
 - APPLICATION SPECIFICATION: AS-76823-100, 768232000-AS
 - PARTS CONFORM TO CLASS "B" REQUIREMENTS OF COSMETIC SPECIFICATION PS-45499-002.
 - TO AVOID INTERFERENCE BETWEEN RECEPTACLE AND PCB, HEADER MUST BE PLACED
WITHIN 20.6 MAX FROM EDGE OF PCB AS SHOWN FOR 4 THROUGH 12 CIRCUITS.
FOR 2 CIRCUIT PARTS THIS DIMENSION IS 15.1 MAX.



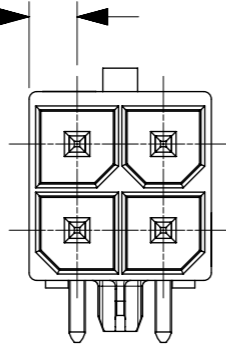
FUNCTIONAL SYMBOLS	THIS DRAWING CONTAINS INFORMATION THAT IS PROPRIETARY TO MOLEX ELECTRONIC TECHNOLOGIES, LLC AND SHOULD NOT BE USED WITHOUT WRITTEN PERMISSION		CURRENT REV DESC:		molex
	△/A = 0	mm	SCALE	2:1	
DIVISIONAL SYMBOLS	GENERAL TOLERANCES (UNLESS SPECIFIED)		EC NO: 665140		MEGA-FIT RIGHT ANGLE HEADER R/A HEADER ASSY 2-12 CKT
	△/E = 0	ANGULAR TOL ± 0.5°		DRWN: ALU002 2021/04/27	
DIVISIONAL SYMBOLS	4 PLACES ±	INITIAL REVISION:		2021/05/26	PRODUCT CUSTOMER DRAWING
	3 PLACES ±	DRWN: JDFOX 2015/04/17		2021/05/26	
	2 PLACES ± 0.25	APPR: YXZHENG		2015/04/17	DOCUMENT NUMBER
	1 PLACE ±	APPR: FSMITH		2015/04/17	DOC TYPE
0 PLACES ±	DRAFT WHERE APPLICABLE MUST REMAIN WITHIN DIMENSIONS		THIRD ANGLE PROJECTION	DRAWING	SERIES
A3-SIZE		76825	MATERIAL NUMBER	CUSTOMER	SHEET NUMBER
SEE TABLE		GENERAL MARKET	SD-76825-0100 PSD 000 E1		
1 OF 3					

4.18 REF



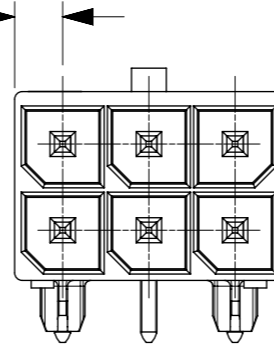
2CKT

3.18 REF

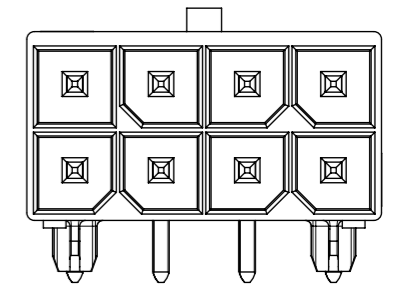


4CKT

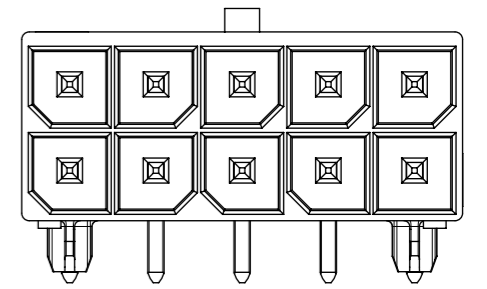
3.18 REF



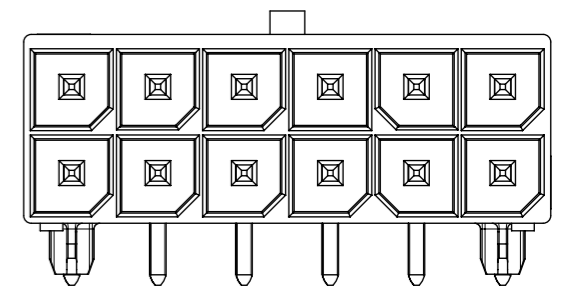
6CKT



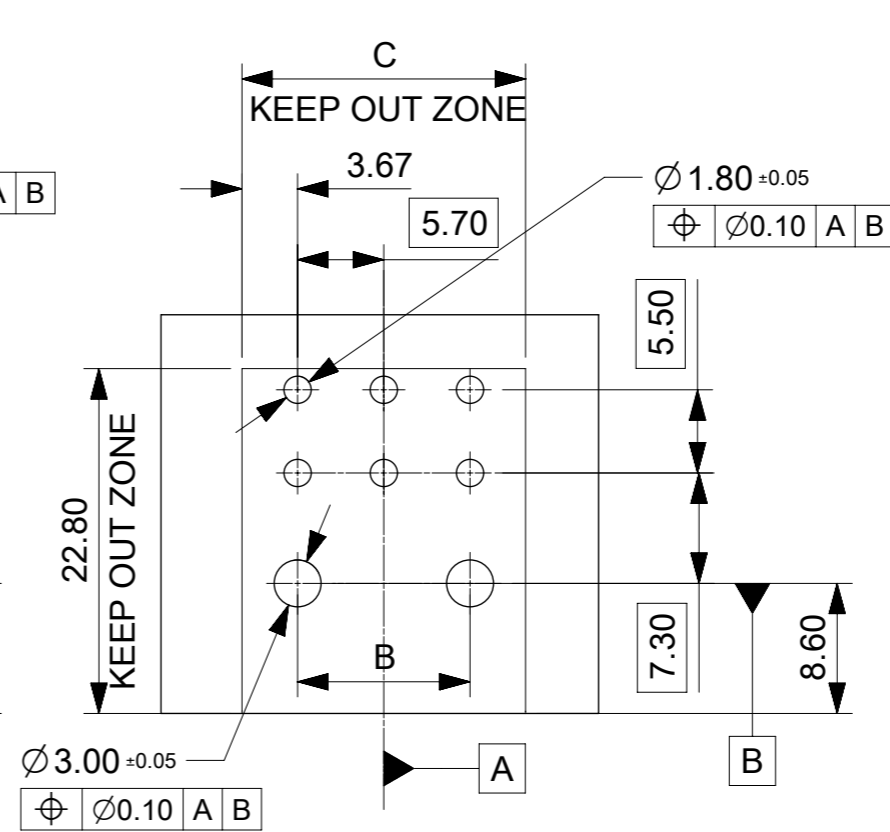
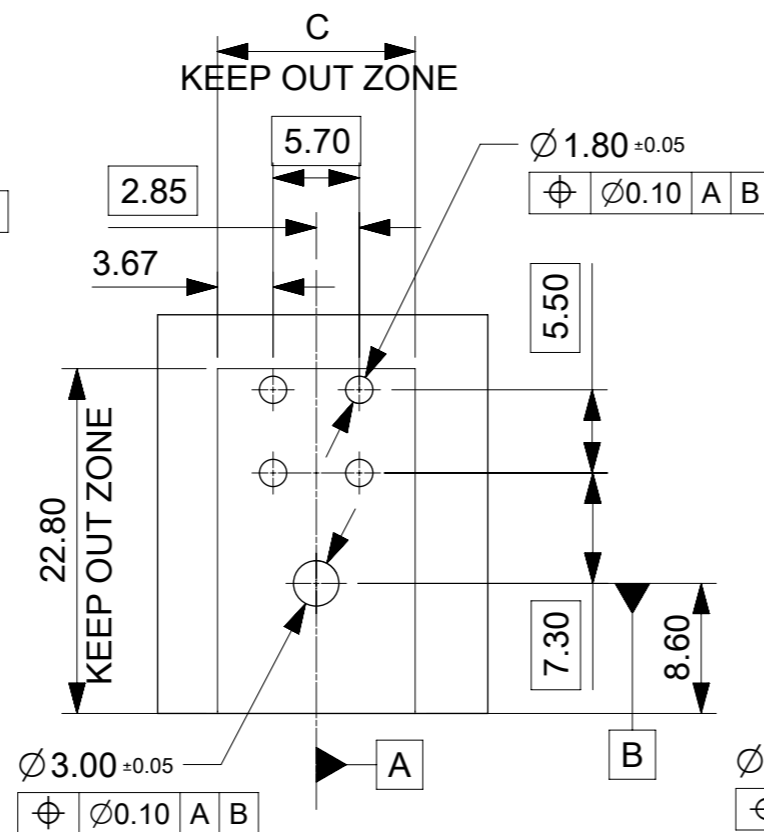
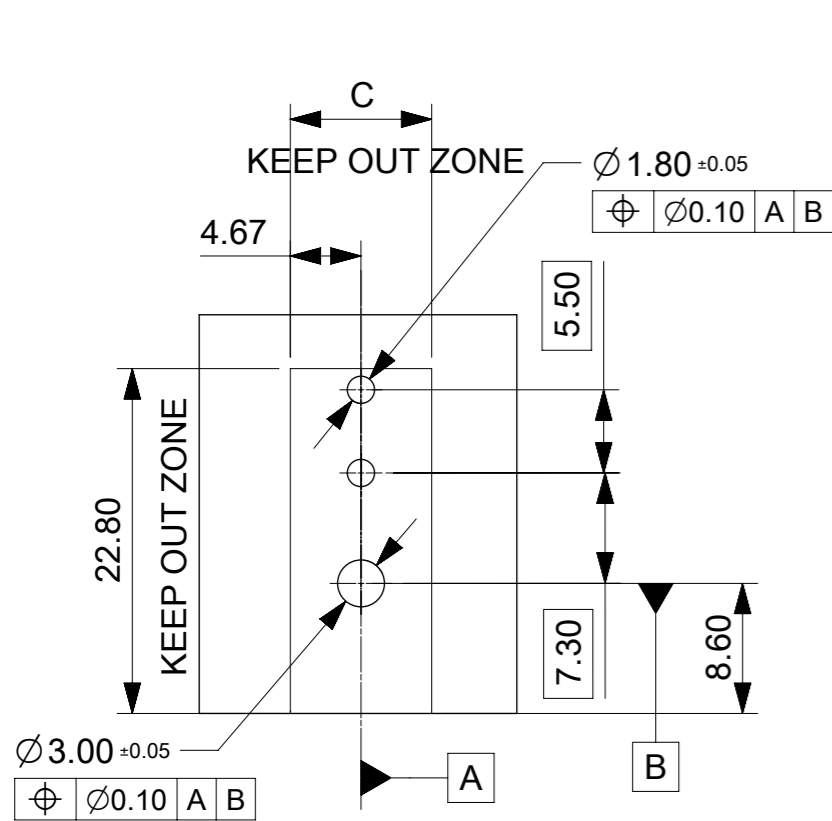
8CKT



10CKT



12CKT



PCB LAYOUT: COMPONENT SIDE
RECOMENDED PCB THICKNESS: 1.58 MM/.062 IN TO 2.36 MM/.093 IN

PCB LAYOUT: COMPONENT SIDE
RECOMENDED PCB THICKNESS: 1.58 MM/.062 IN TO 2.36 MM/.093 IN

PCB LAYOUT: COMPONENT SIDE
RECOMENDED PCB THICKNESS: 1.58 MM/.062 IN TO 2.36 MM/.093 IN

FUNCTIONAL SYMBOLS	THIS DRAWING CONTAINS INFORMATION THAT IS PROPRIETARY TO MOLEX ELECTRONIC TECHNOLOGIES, LLC AND SHOULD NOT BE USED WITHOUT WRITTEN PERMISSION		CURRENT REV DESC:		molex
	MM	SCALE	EC NO: 665140		
FA = 0	mm	2:1	DRWN: ALU002		MEGA-FIT RIGHT ANGLE HEADER R/A HEADER ASSY 2-12 CKT
EA = 0	GENERAL TOLERANCES (UNLESS SPECIFIED)		2021/04/27		
EA = 0	ANGULAR TOL ± 0.5°		3 PLACES ±		PRODUCT CUSTOMER DRAWING
DIVISIONAL SYMBOLS		4 PLACES ±	CHK'D: YXZHENG		
		2 PLACES ± 0.25	APPR: YXZHENG		DOCUMENT NUMBER
		1 PLACE ±	INITIAL REVISION:		
		0 PLACES ±	DRWN: JDFOX		SD-76825-0100
		DRAFT WHERE APPLICABLE MUST REMAIN WITHIN DIMENSIONS		2015/04/17	
		THIRD ANGLE PROJECTION		APPR: FSMITH	DOC TYPE
		DRAWING		2015/04/17	PSD
		A3-SIZE		SERIES	000
		76825		MATERIAL NUMBER	E1
		SEE TABLE		CUSTOMER	REVISION
		GENERAL MARKET		2 OF 3	

	CKT SIZE	PART NO.	PLATING	DIM A	DIM B	DIM C	PK SPEC
	2	76825-0002	TIN	8.35	N/A	9.35	TRAY
	4	76825-0004	TIN	12.05	N/A	13.05	
	6	76825-0006	TIN	17.75	11.4	18.75	
	8	76825-0008	TIN	23.45	17.1	24.45	
	10	76825-0010	TIN	29.15	22.8	30.15	
	12	76825-0012	TIN	34.85	28.5	35.45	
	2	172064-0002	15 GOLD	8.35	N/A	9.35	
	4	172064-0004	15 GOLD	12.05	N/A	13.05	
	6	172064-0006	15 GOLD	17.75	11.4	18.75	
	8	172064-0008	15 GOLD	23.45	17.1	24.45	
	10	172064-0010	15 GOLD	29.15	22.8	30.15	
	12	172064-0012	15 GOLD	34.85	28.5	35.45	
	2	172064-1002	30 GOLD	8.35	N/A	9.35	
	4	172064-1004	30 GOLD	12.05	N/A	13.05	
	6	172064-1006	30 GOLD	17.75	11.4	18.75	
	8	172064-1008	30 GOLD	23.45	17.1	24.45	
	10	172064-1010	30 GOLD	29.15	22.8	30.15	
	12	172064-1012	30 GOLD	34.85	28.5	35.45	
*	2	76825-0902	TIN	8.35	N/A	9.35	TAPE&REEL
*	4	76825-0904	TIN	12.05	N/A	13.05	
*	6	76825-0906	TIN	17.75	11.4	18.75	
*	8	76825-0908	TIN	23.45	17.1	24.45	
*	10	76825-0910	TIN	29.15	22.8	30.15	
	12	76825-0912	TIN	34.85	28.5	35.45	
*	2	172064-0902	15 GOLD	8.35	N/A	9.35	
*	4	172064-0904	15 GOLD	12.05	N/A	13.05	
*	6	172064-0906	15 GOLD	17.75	11.4	18.75	
	8	172064-0908	15 GOLD	23.45	17.1	24.45	
*	10	172064-0910	15 GOLD	29.15	22.8	30.15	
	12	172064-0912	15 GOLD	34.85	28.5	35.45	
*	2	172064-1902	30 GOLD	8.35	N/A	9.35	
*	4	172064-1904	30 GOLD	12.05	N/A	13.05	
*	6	172064-1906	30 GOLD	17.75	11.4	18.75	
*	8	172064-1908	30 GOLD	23.45	17.1	24.45	
*	10	172064-1910	30 GOLD	29.15	22.8	30.15	
	12	172064-1912	30 GOLD	34.85	28.5	35.45	

* DESIGNATES PART NOT RELEASED
CONTACT FACTORY FOR AVAILABILITY.

FUNCTIONAL SYMBOLS	THIS DRAWING CONTAINS INFORMATION THAT IS PROPRIETARY TO MOLEX ELECTRONIC TECHNOLOGIES, LLC AND SHOULD NOT BE USED WITHOUT WRITTEN PERMISSION		CURRENT REV DESC:		molex				
	DIMENSION UNITS	SCALE							
$\nabla_A = 0$	mm	1:1	EC NO: 665140 DRWN: ALUO02 CHK'D: YXZHENG APPR: YXZHENG		MEGA-FIT RIGHT ANGLE HEADER R/A HEADER ASSY 2-12 CKT				
$\nabla_E = 0$	GENERAL TOLERANCES (UNLESS SPECIFIED)								
$\nabla_P = 0$	ANGULAR TOL $\pm 0.5^\circ$								
DIVISIONAL SYMBOLS	4 PLACES	\pm	INITIAL REVISION: DRWN: JDFOX APPR: FSMITH		PRODUCT CUSTOMER DRAWING				
	3 PLACES	\pm			DOCUMENT NUMBER		DOC TYPE	DOC PART	REVISION
	2 PLACES	± 0.25			SD-76825-0100		PSD	000	E1
	1 PLACE	\pm			2015/04/17				
	0 PLACES	\pm	2015/04/17						
DRAFT WHERE APPLICABLE MUST REMAIN WITHIN DIMENSIONS			THIRD ANGLE PROJECTION	DRAWING	SERIES	MATERIAL NUMBER	CUSTOMER	SHEET NUMBER	
				A3-SIZE	76825	SEE TABLE	GENERAL MARKET	3 OF 3	