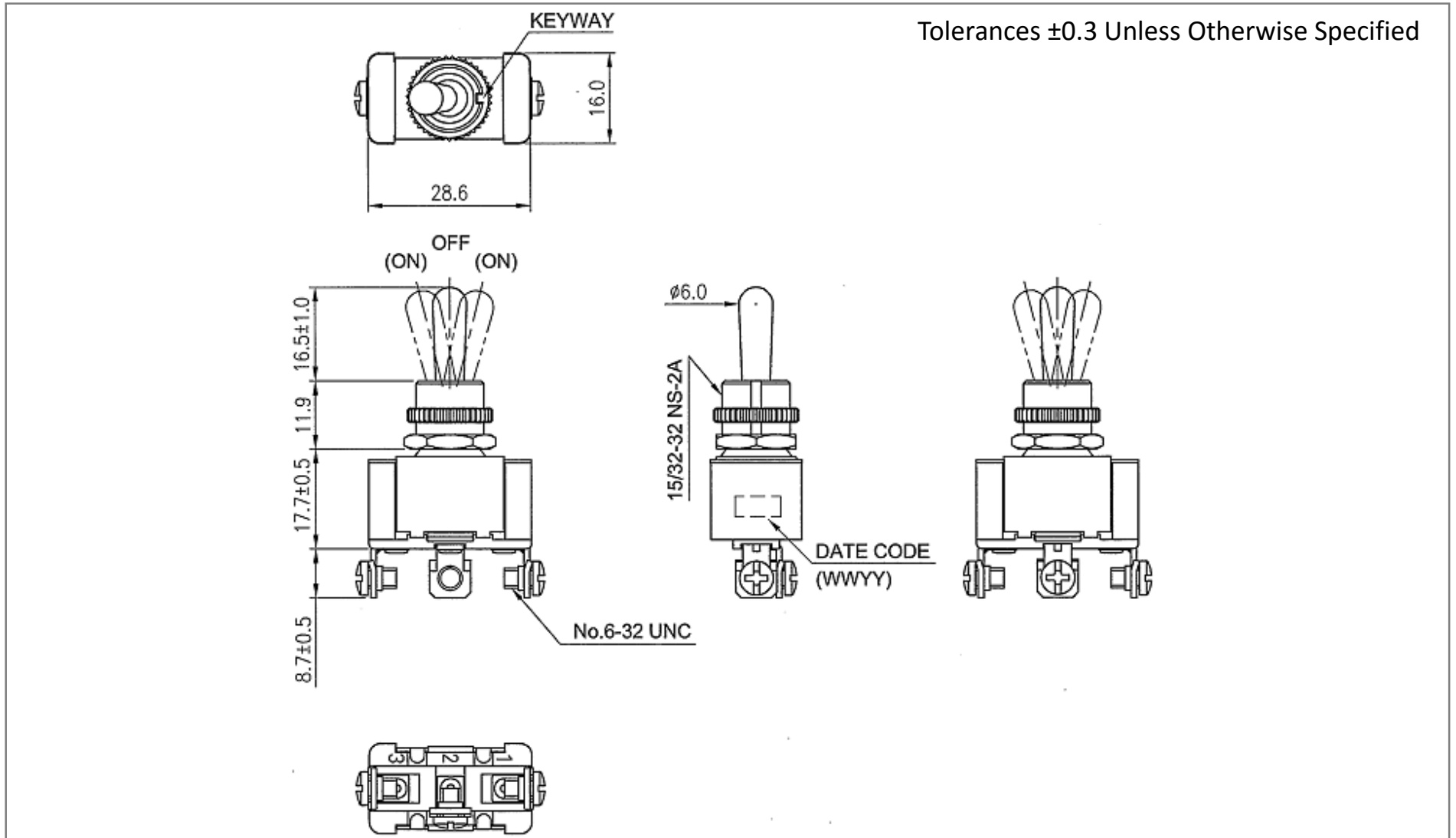
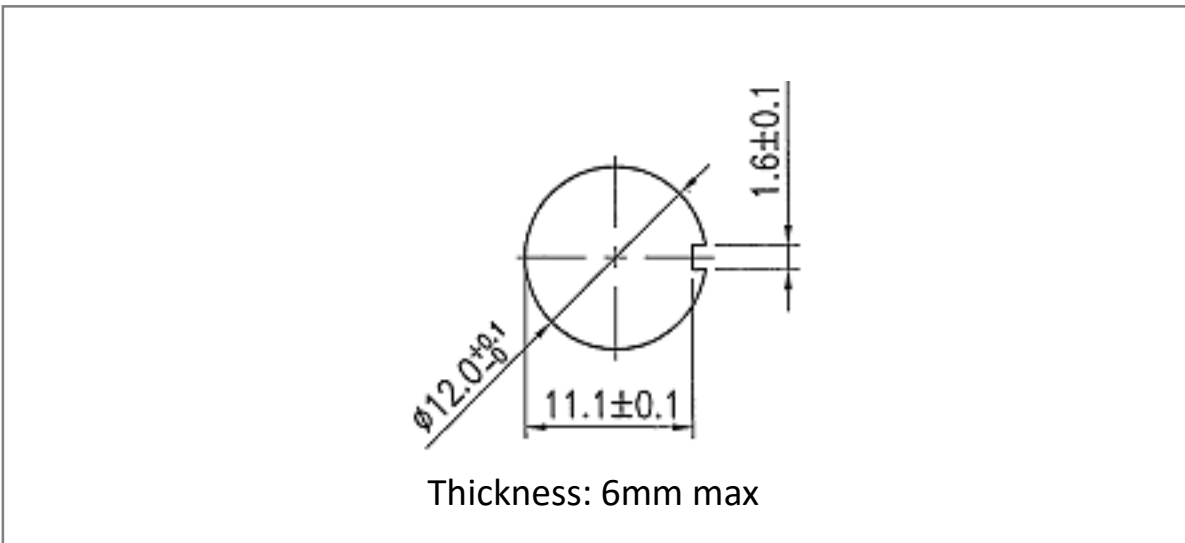


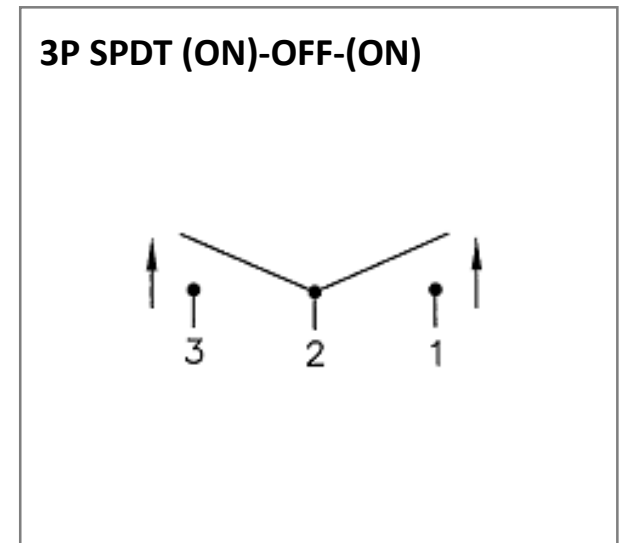
**Mechanical Dimensions (mm)**



**Mounting Hole**



**Circuit Diagram**



**Electrical Specifications**

Rating	21A 14V DC
Contact Resistance	50m ohm Max.
Insulation Resistance	DC 500V 100M ohm Min.
Dielectric Strength	AC 1500V 1 minute
Operation Force	1500gf±300gf

**Material Specifications**

1 HEX NUT ASSY
1 KNURL NUT ASSY
1 INTERNAL O-RING