

Product Change Notice (PCN)

Date: **11/4/2022**

PCN Number: **PCN-0450981R-01**

To Our Customers:

We appreciate your use of our products. Our commitment in maintaining and improving processes is demonstrated by plans to enhance our product quality, reliability, and manufacturability. The purpose of this notice is to inform you of a product change.

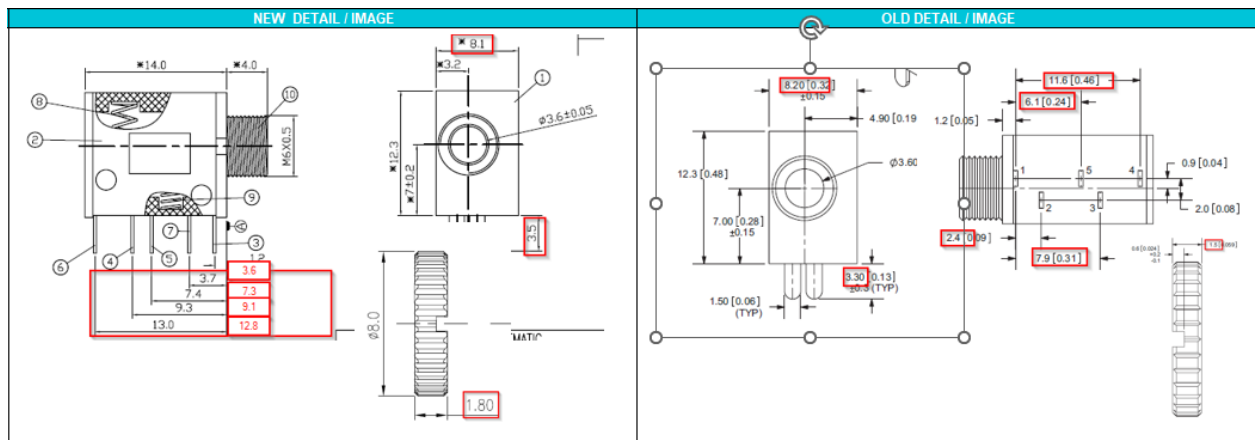
Product(s) Affected:

SJ1-3533, SJ1-3534, SJ1-3535

Reason(s) for Change: *Manufacturing process improvements*

Description of Change:

1. Width difference, Terminal length and spacing differs, and the nut is higher on new part



F-723-001

Revision: A



Operations/Quality

Rae Adams

Product Management

Nick Wolfe

Nick Wolfe

10/24/2022
