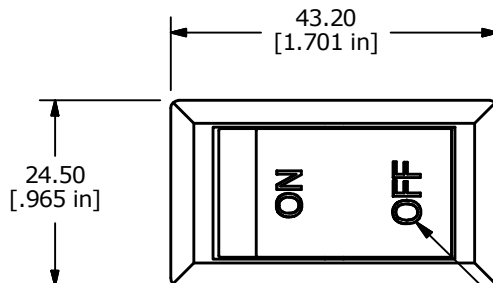
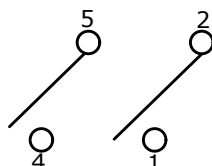


SUGGESTED PANEL CUTOUT  
MAX PANEL THICKNESS 6.0mm

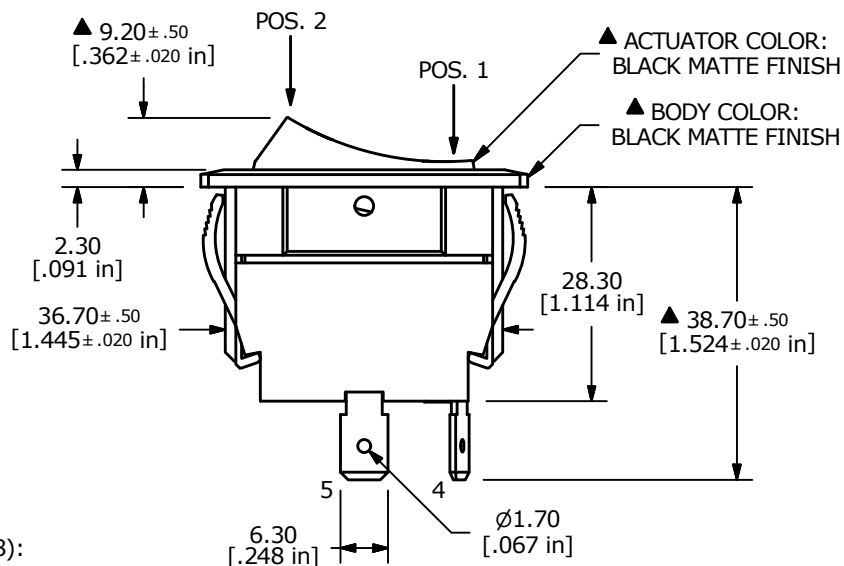


▲ GRAPHIC COLOR:  
WHITE

| SWITCH FUNCTION |        |
|-----------------|--------|
| POS. 2          | POS. 1 |
|                 |        |
| ON              | OFF    |
| 2-1, 5-4        | OPEN   |

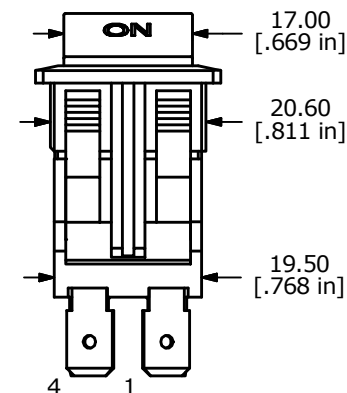


▲ CIRCUIT: DPST  
OFF - ON  
MAINTAINED



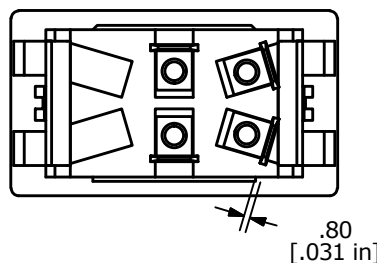
▲ ACTUATOR COLOR:  
BLACK MATTE FINISH

▲ BODY COLOR:  
BLACK MATTE FINISH



NOTES:

1. ALL DIMENSIONS IN MM [INCH]
2. GENERAL TOLERANCE: X.X=± 0.4  
X.XX=± 0.25
- ▲ 3. RATINGS: ANSI/UL 508 AND CAN/CSA C22.2 NO.14 (E195908):  
20A, 125VAC [cURus]  
15A, 277VAC [cURus]  
2HP, 110/250VAC [cURus]
4. CONTACT RESISTANCE: 50 mΩ MAX. @ 50VAC
5. INSULATION RESISTANCE: 800 MΩ MIN. @ 500VDC
6. OPERATING TEMPERATURE: 0°C TO +55°C [cURus, CSA]  
0°C TO +55°C [VDE]
7. ELECTRICAL LIFE: 6,000 CYCLES [cURus]
8. DIELECTRIC STRENGTH: 1,500V FOR 1 MINUTE
10. INGRESS PROTECTION: IP54
11. ▲ DENOTES CRITICAL PARAMETER
12. 2011/65/EU (RoHS) COMPLIANT.



|     |        |                          |         |     |
|-----|--------|--------------------------|---------|-----|
| C   | 22501  | UPDATED NOTES            | 5/18/17 | MJR |
| B   | 00247  | CORRECTED SPECIFICATIONS | 12/9/09 | CAB |
| REV | PCR NO | DESCRIPTION              | DATE    | BY  |

|                  |               |        |                   |       |
|------------------|---------------|--------|-------------------|-------|
| TITLE RVW42D1123 |               |        |                   |       |
| SCALE 1:1        | DATE 8/6/2009 | DR CAB | DWG 34-RVW42D1123 | REV C |

THE INFORMATION CONTAINED IN THIS DOCUMENT IS PROPRIETARY TO E-SWITCH AND IS NOT TO BE COPIED OR TRANSFERRED