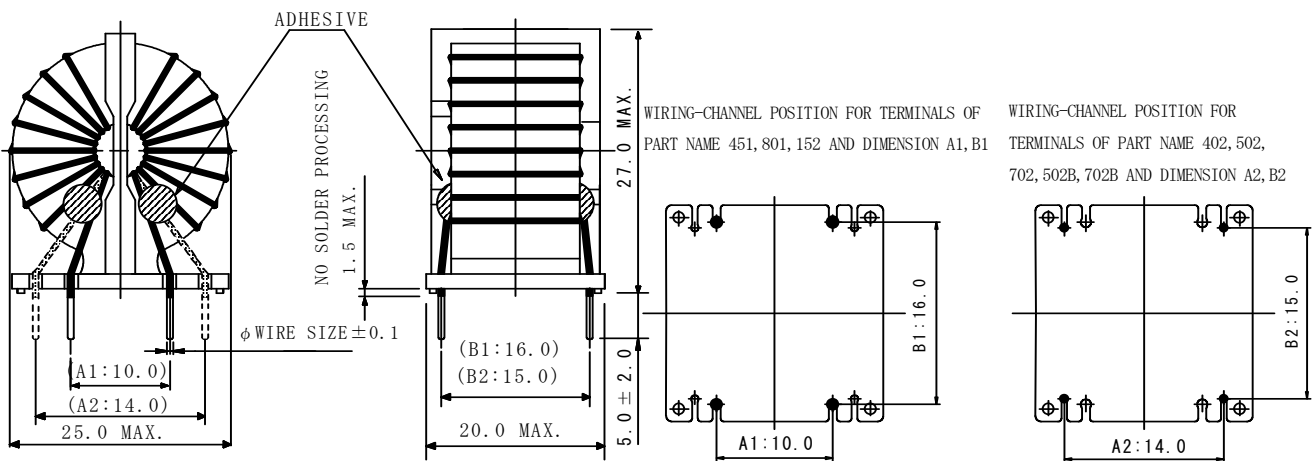


**Type: CPFC2225B**
**◆ Outline**

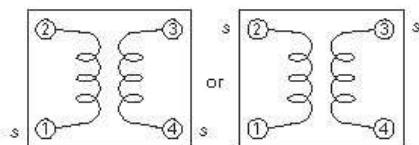
- 25.0×20.0mm Max.(L×W), 27.0mmMax. Height
- Inductance range: 0.8mH~7.0mH
- Rated current range: 3.0A~8.0A
- In addition to the standard versions of parameters shown here, custom designs are available to meet your exact requirements.


**◆ Feature**

- Safety standard conformance such as UL.
- Ideally used in TV, VCRs, OA devices.
- RoHS Compliance

**◆ Dimensions (mm)**


- \* Dimension does not include solder used on coil.
- \* Dimension without tolerance are approx.

**◆ Land Pattern (mm)**


- \* Winding start is #1, #4 or #2, #3.
- \* #1&#4, #2&#3 : should have same polarity.

**Type: CPFC2225B**
**◆ Specifications**

PART NO.	STAMP	WIRE SIZE (mm)	INDUCTANCE (mH) (1-2) OR (4-3) [MIN.]	INDUCTANCE BALANCE ( $\mu$ H) [MAX.]	D.C.R.(m $\Omega$ ) [at20°C] (1-2) OR (4-3) [MAX.]	CURRENT (Arms) (50Hz/60Hz) (1-4) ※1	RATED VOLTAGE (Vrms) (50Hz/60Hz)
PFC2225BNP-451	451	$\phi$ 1.0	0.45	30	9.2	9.5	250
PFC2225BNP-801	801	$\phi$ 1.0	0.8	50	12.5	8.0	250
PFC2225BNP-152	152	$\phi$ 0.8	1.5	80	26.0	5.0	250
PFC2225BNP-402	402	$\phi$ 0.7	4.0	100	54.0	4.0	250
PFC2225BNP-502	502	$\phi$ 0.6	5.0	150	81.0	3.0	250
PFC2225BNP-702	702	$\phi$ 0.5	7.0	200	135	2.5	250
PFC2225BNP-502B	502B	$\phi$ 0.7	5.0	150	61.0	3.5	250
PFC2225BNP-702B	702B	$\phi$ 0.7	7.0	200	70.0	3.0	250

\* Measuring frequency : Inductance 1kHz, 0.1V

\* Rated current : D.C. current when temperature of coil increased up to 60°C.(Ta=20°C)

※ Terminal #2 and #3 to be shorted when testing.

**◆ Impedance Characteristics**
